

619383-1 ✓ ACTIVE

AMP SMA

TE Internal #: 619383-1

AMP SMA, In-Series Adapters, SMA - SMPM, Right Angle, Phosphor Bronze, Gold over Nickel, 50 Ω , Cable-to-Cable, 1 Position, Wire & Cable

[View on TE.com >](#)



Connectors > RF Coax Connectors > RF Adapters > In-Series Adapters



RF Connector Type: **SMA - SMPM**

Body Angle: **Right Angle**

RF Connector Center Contact Material: **Phosphor Bronze**

RF Connector Center Contact Plating Material: **Gold over Nickel**

Impedance: **50 Ω**

Features

Product Type Features

Isolated Ground	No
RF Connector Type	SMA - SMPM
Connector System	Cable-to-Cable
Sealable	No
Connector & Contact Terminates To	Wire & Cable

Configuration Features

Number of Positions	1
---------------------	---

Electrical Characteristics

Impedance	50 Ω
-----------	-------------

Body Features

Body Insulation	Without
Body Material	Brass
Body Plating Material	Gold
Body Angle	Right Angle



Contact Features

RF Connector Center Contact Material	Phosphor Bronze
RF Connector Center Contact Plating Material	Gold over Nickel

Mechanical Attachment

Connector Mounting Type	Bulkhead
-------------------------	----------

Dimensions

Length	11 mm[.433 in]
--------	----------------

Operation/Application

Circuit Application	Power & Signal
---------------------	----------------

Packaging Features

Packaging Method	Package
------------------	---------

Other

Comment	Use with Test Probe 619361-1.
Dielectric Material	PTFE

Product Compliance

[For compliance documentation, visit the product page on TE.com>](#)

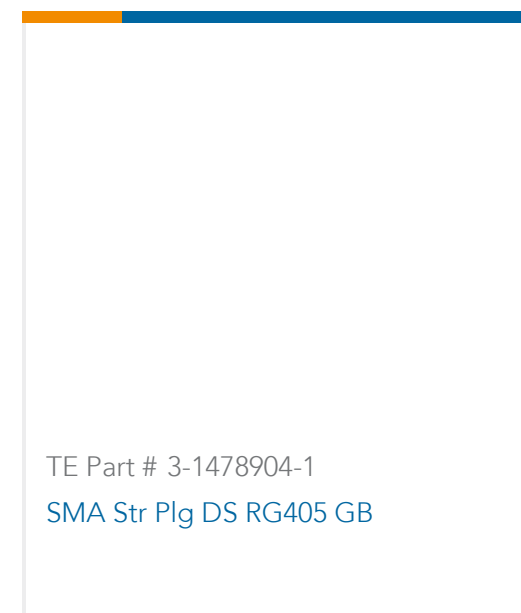
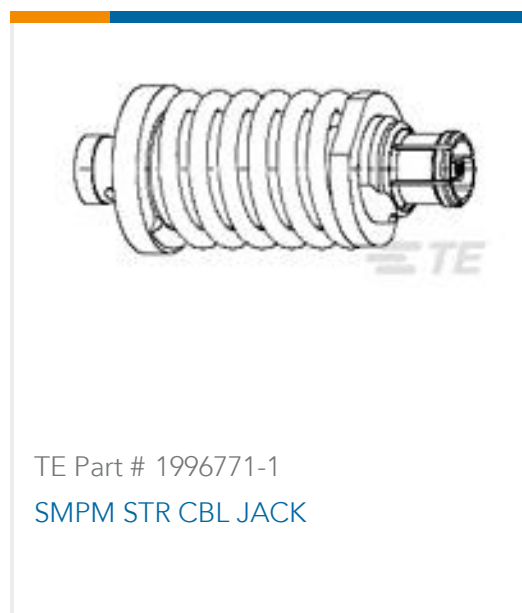
EU RoHS Directive 2011/65/EU	Compliant
EU ELV Directive 2000/53/EC	Not Yet Reviewed
China RoHS 2 Directive MIIT Order No 32, 2016	No Restricted Materials Above Threshold
EU REACH Regulation (EC) No. 1907/2006	Current ECHA Candidate List: JAN 2021 (211) Candidate List Declared Against: OCT 2008 (15) SVHC > Threshold: Not Yet Reviewed
Halogen Content	Low Halogen - Br, Cl, F, I < 900 ppm per homogenous material. Also BFR/CFR/PVC Free
Solder Process Capability	Not applicable for solder process capability

Product Compliance Disclaimer

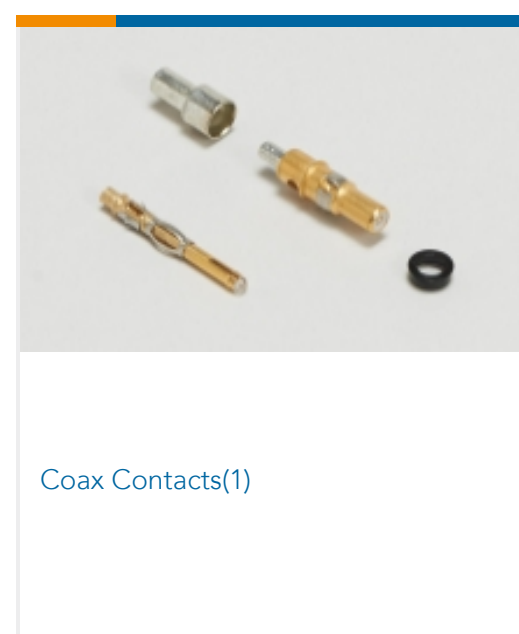
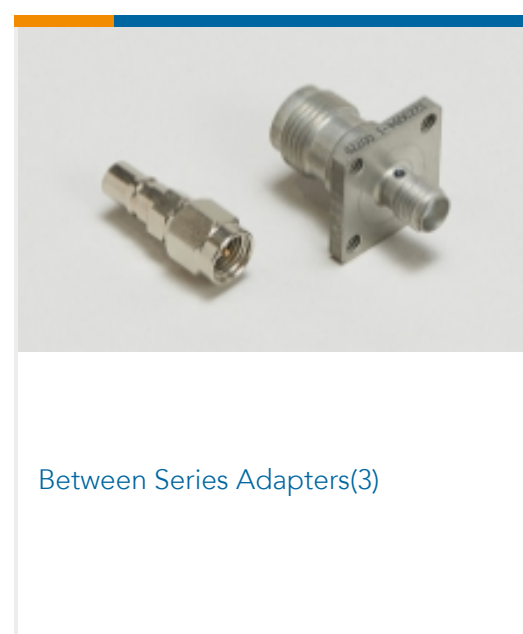
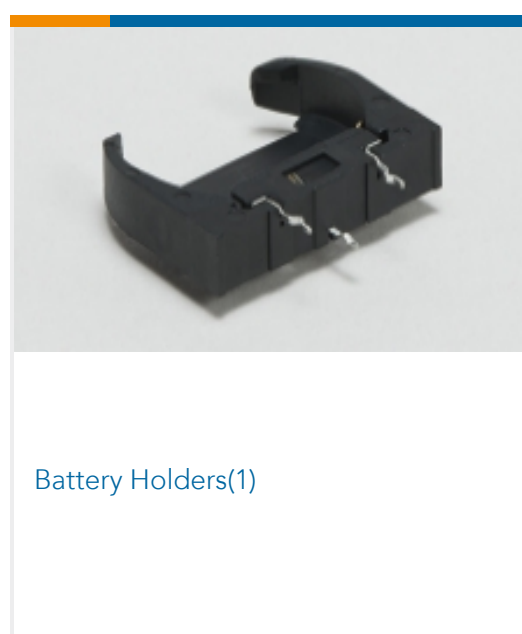
This information is provided based on reasonable inquiry of our suppliers and represents our current actual knowledge based on the information they provided. This information is subject to change. The part numbers that TE has identified as EU RoHS compliant have a maximum concentration of 0.1% by weight in homogenous materials for lead, hexavalent chromium, mercury, PBB, PBDE, DBP, BBP, DEHP, DIBP, and 0.01% for cadmium, or qualify for an exemption to these limits as defined in the Annexes of Directive 2011/65/EU (RoHS2). Finished electrical and electronic equipment products

will be CE marked as required by Directive 2011/65/EU. Components may not be CE marked. Additionally, the part numbers that TE has identified as EU ELV compliant have a maximum concentration of 0.1% by weight in homogenous materials for lead, hexavalent chromium, and mercury, and 0.01% for cadmium, or qualify for an exemption to these limits as defined in the Annexes of Directive 2000/53/EC (ELV). Regarding the REACH Regulations, TE's information on SVHC in articles for this part number is still based on the European Chemical Agency (ECHA) 'Guidance on requirements for substances in articles' (Version: 2, April 2011), applying the 0.1% weight on weight concentration threshold at the finished product level. TE is aware of the European Court of Justice ruling of September 10th, 2015 also known as O5A (Once An Article Always An Article) stating that, in case of 'complex object', the threshold for a SVHC must be applied to both the product as a whole and simultaneously to each of the articles forming part of its composition. TE has evaluated this ruling based on the new ECHA "Guidance on requirements for substances in articles" (June 2017, version 4.0) and will be updating its statements accordingly.

Compatible Parts



Also in the Series | AMP SMA

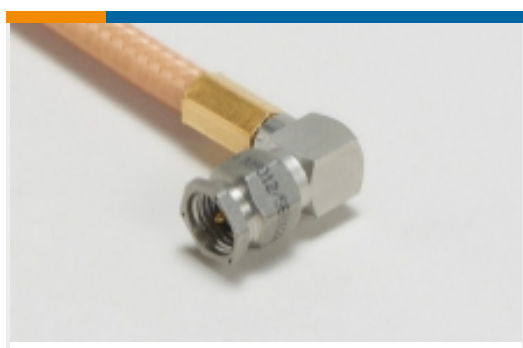




In-Series Adapters(35)



Rack & Panel Ferrules & Inserts(1)



RF Cable Assemblies(2)



RF Connector Hardware(2)



RF Connector Launchers(13)



RF Connector Shrouds(10)

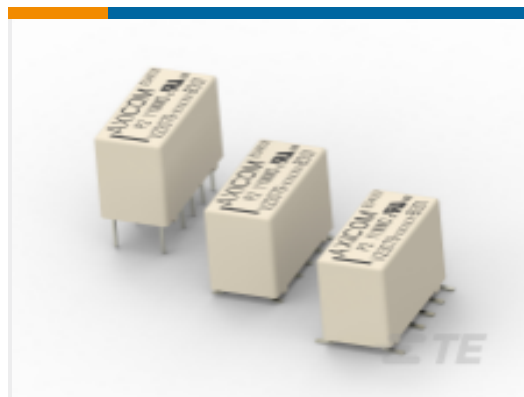


RF Connectors(527)

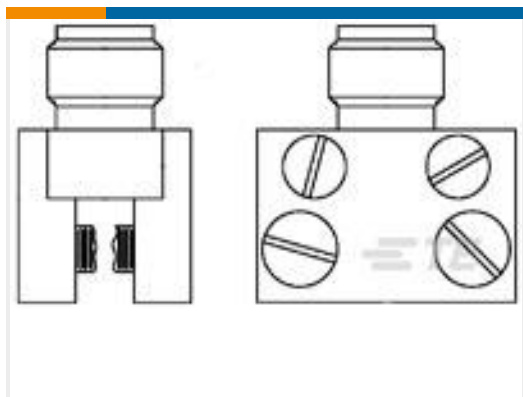
Customers Also Bought



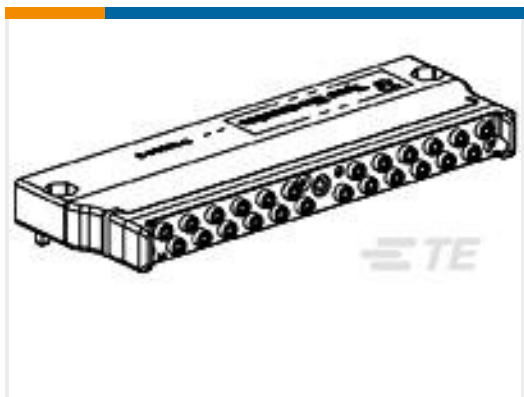
TE Part #5-316092-1
Glow Wire Signal Double Lock Cap



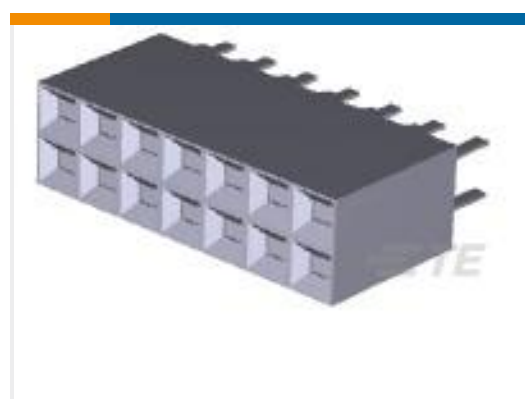
TE Part #2-1393789-2
AXICOM P2 STANDARD



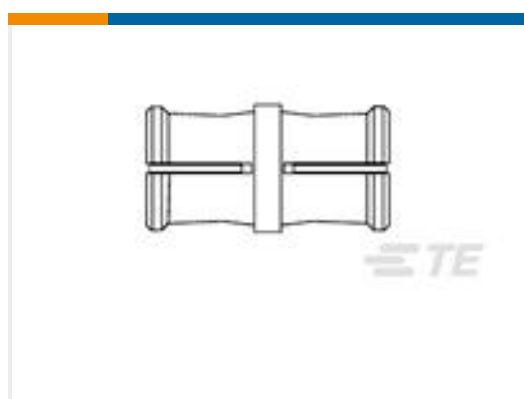
TE Part #1053478-1
SMA Stripline Launcher 2070 8002 92



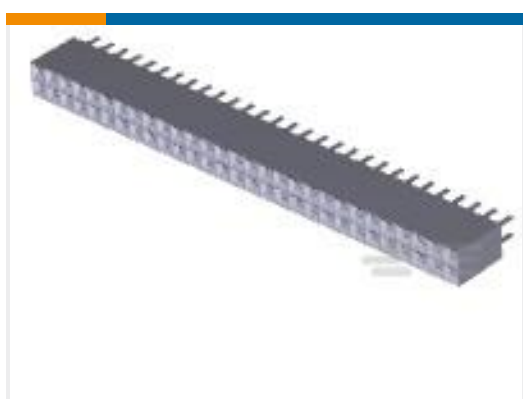
TE Part #1738960-2
CONNECTOR ASY,MODULE,24 POS, ARINC 801



TE Part #535542-7
14 MODIV VRT DR CE 100/130



TE Part #1056703-1
SMP Jack-Jack Adapter 2980 5004 62



TE Part #2-535542-9
58 MODIV VRT DR CE 100/130



TE Part #204546-2
AMPLIMITE,ASY,RCPT,FB,90,6,CONT



TE Part #1532183-4
M83513/03-E04N, MCKS-N1-B-31P6G9-36.0



TE Part #YDIV46E21-35SNV001
PLUG ASSY

Documents



Product Drawings

Adapter SMPM - SMA Jack Right Angle

English

CAD Files

3D PDF

3D

Customer View Model

[ENG_CVM_CVM_619383-1_A.2d_dxf.zip](#)

English

Customer View Model

[ENG_CVM_CVM_619383-1_A.3d_igs.zip](#)

English

Customer View Model

[ENG_CVM_CVM_619383-1_A.3d_stp.zip](#)

English

By downloading the CAD file I accept and agree to the [Terms and Conditions](#) of use.

Datasheets & Catalog Pages

RF Between Series Adapters

English

Product Specifications

Application Specification

English