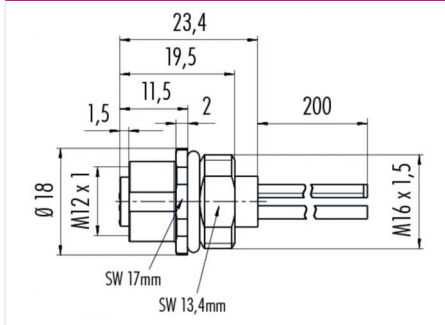


Product description	Contacts: 2+PE, female panel mount connector, Power, S-Coding, with single wires, fixing thread M16x1,5
Area	M12-S, M12-K Series 814 S-coding
Order number	09 0688 700 03

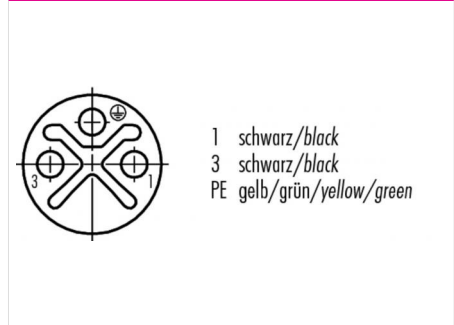
Illustration



Scale drawing



Contact arrangement



You can find the assembly instructions on the next page.

Technical data

General values

Connector design	female panel mount connector
Connector locking system	bolted
Termination	single wires
Wire gauge (mm)	1.38 mm ²
Wire gauge (AWG)	16
Upper limit temperature	85 °C
Lower limit temperature	-40 °C
Customs tariff number	85369010

Electrical values

Rated current (40 °C)	16 A
Rated voltage	630 V
Rated impulse voltage	6000 V
Pollution degree	3
Overvoltage category	III
Insulating material group	II
Volume resistivity	≤ 5 mΩ
Degree of protection	IP68
Mechanical operation	> 100 Mating cycles

Cable data

Approval 1	UL
------------	----

Material

Contact material	CuSn (bronze)
Contact plating	Au (gold)
Contact body material	PA
Housing material	Zinc die-cast nickel-plated

Product description	Contacts: 2+PE, female panel mount connector, Power, S-Coding, with single wires, fixing thread M16x1,5
Area	M12-S, M12-K Series 814 S-coding
Order number	09 0688 700 03

Assembly instructions / Panel cut-out

Mit Fläche als Verdrehschutz
With flats as anti-rotation device

13,5

Mit Durchgangsbohrung
With bore hole

1 x 45°

Mit Gewinde, einschraubbar
With thread to screw in

45°

B

A

	A	B	C
PG 9	PG 9	16,2	15,3
M16x1,5	M16x1,5	17,0	16,1

Anzugsdrehmoment/Tightening torque

Metallgehäuse/Metal housing 6,25 Nm
Kunststoffgehäuse/Plastic housing 3,75 Nm

alternativ/alternativ

Assembly instructions / Panel cut-out

Mit Fläche als Verdrehschutz
With flats as anti-rotation device

13,5

Mit Durchgangsbohrung
With bore hole

1 x 45°

max. 4,5

	C
PG 9	15,3
M16x1,5	16,1

Anzugsdrehmoment/Tightening torque

Metallgehäuse/Metal housing 6,25 Nm
Kunststoffgehäuse/Plastic housing 3,75 Nm

Product description

Contacts: 2+PE, female panel mount connector, Power, S-Coding, with single wires, fixing thread M16x1,5

Area

M12-S, M12-K Series 814 S-coding

Order number

09 0688 700 03

Security notices

The connector must not be connected or separated under load. Non-observance and incorrect use can result in personal injury.

The connectors are designed for use in plant, control system and electrical equipment. The end user is responsible for checking whether the connectors are suitable for use in other applications.

The end user must take suitable safety measures to ensure that the connector cannot be disconnected accidentally. Connectors with degree of protection IP 67 and IP 68 are not suitable for use under water. When used outdoors, the connectors must be separately protected against corrosion. For further information about IP degrees of protection refer to 'Technical support' in the Download Centre.