

Injector - INJ 1010

2703007

<https://www.phoenixcontact.com/pc/products/2703007>



Please be informed that the data shown in this PDF document is generated from our Online Catalog. Please find the complete data in the user documentation. Our General Terms of Use for Downloads are valid.

PoE injector, 60 W, two RJ45 jacks, 10/100/1000 Mbps, DIN rail mounting, IP20



Product Description

The midspan injectors connect Ethernet devices without PoE (e.g., switches) to PoE-capable end devices (e.g., IP cameras). As power sourcing equipment (PSE), the injector supplies the required power to a powered device (PD) via the data cable. The injector and end device negotiate the electrical power requirements autonomously.

Your advantages

- Extended supply voltage range of 18 V DC ... 57 V DC, redundant
- 10/100/1000 Mbps
- Mounting on a DIN rail
- Safe shield connection to ground potential

Commercial Data

Item number	2703007
Packing unit	1 pc
Minimum order quantity	1 pc
Product Key	DNC351
Catalog Page	Page 345 (C-6-2019)
GTIN	4055626462950
Weight per Piece (including packing)	394 g
Weight per Piece (excluding packing)	394 g
Customs tariff number	85176200
Country of origin	TW

Injector - INJ 1010

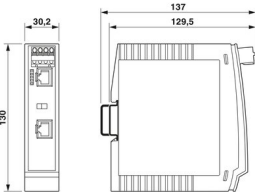
2703007

<https://www.phoenixcontact.com/pc/products/2703007>



Technical Data

Dimensions

Dimensional drawing	
Width	30.2 mm
Height	130 mm
Depth	120 mm

Notes

Utilization restriction

EMC note	EMC: class A product, see manufacturer's declaration in the download area
----------	---

Material specifications

Color	gray
Housing material	Plastic

Mounting

Mounting type	DIN rail mounting
Mounting position	vertical

Interfaces

Basic functions	PSE/Midspan, compliant with IEEE 802.3af, at
-----------------	--

Data: Power over Ethernet

Serial transmission speed	10/100/1000 Mbps
Connection method	RJ45 jack
No. of channels	1
Pin assignment	1:1
Transmission length	100 m (including patch cables)
Output nominal voltage	54 V DC (PoE)
Output power	60 W

Data: Ethernet

Connection method	RJ45 CAT5e
-------------------	------------

Product properties

Product type	Injector
MTTF	133.8 Years (MIL-HDBK-217F standard, temperature 25°C,

Injector - INJ 1010



2703007

<https://www.phoenixcontact.com/pc/products/2703007>

operating cycle 100%)

Electrical properties

Supply

Supply voltage range	18 V DC ... 57 V DC (Ordinary locations)
	24 V DC ... 48 V DC (Hazardous locations)
Nominal supply voltage	24 V DC
	48 V DC
Max. current consumption	4.2 A
	2.73 A (24 V DC)
	1.34 A (48 V DC)
Power consumption	≤ 75 W
Protective circuit	Reverse polarity protection

Connection data

Supply

Conductor cross section flexible, with ferrule without plastic sleeve	0.25 mm ² ... 2.5 mm ²
Conductor cross section, flexible, with ferrule, with plastic sleeve	0.25 mm ² ... 2.5 mm ²
Conductor cross section, flexible	0.20 mm ² ... 2.50 mm ²
Conductor cross section, rigid	0.20 mm ² ... 2.50 mm ²

Ambient conditions

Degree of protection	IP20 (Non-certificated by UL)
Ambient temperature (operation)	0 °C ... 60 °C
Ambient temperature (storage/transport)	-40 °C ... 85 °C
Altitude	≤ 5000 m (For restrictions, see the manufacturer's declaration for altitude operation)
	≤ 2000 m (with UL approval)
Permissible humidity (operation)	10 % ... 95 % (non-condensing)

Approval data

CE

Identification	CE-compliant
----------------	--------------

UL, USA / Canada

Identification	Class I, Div. 2, Groups A, B, C, D T4
----------------	---------------------------------------

Corrosive gas test

Identification	ISA-S71.04-1985 G3 Harsh Group A
----------------	----------------------------------

EMC data

Electromagnetic compatibility	Conformance with EMC Directive 2014/30/EU
-------------------------------	---

Electrostatic discharge

Injector - INJ 1010

2703007

<https://www.phoenixcontact.com/pc/products/2703007>



Standards/regulations	EN 61000-4-2
-----------------------	--------------

Electrostatic discharge

Contact discharge	± 6 kV (Test Level 3)
Discharge in air	± 8 kV (Test Level 3)
Indirect discharge	± 6 kV
Comments	Criterion B

Electromagnetic HF field

Standards/regulations	EN 61000-4-3
-----------------------	--------------

Electromagnetic HF field

Frequency range	80 MHz ... 3 GHz (Test Level 3)
Field intensity	10 V/m
Comments	Criterion A

Fast transients (burst)

Standards/regulations	EN 61000-4-4
-----------------------	--------------

Fast transients (burst)

Input	± 2.2 kV (1 minute)
Signal	± 2.2 kV (1 minute)
Comments	Criterion B

Surge current load (surge)

Standards/regulations	EN 61000-4-5
-----------------------	--------------

Surge current load (surge)

Input	± 0.5 kV
Signal	± 1 kV (Data line, asymmetrical) ± 2 kV (I/O cable on field side only, asymmetric)
Comments	Criterion B

Conducted interference

Standards/regulations	EN 61000-4-6
-----------------------	--------------

Conducted interference

Frequency range	0.15 MHz ... 80 MHz
Comments	Criterion A
Voltage	10 V

Emitted interference

Standards/regulations	EN 61000-6-4
Comments	Class A, industrial applications

Emitted interference

Standards/regulations	EN 61000-6-3
Comments	Class B, domain of use: residential and small commercial

Injector - INJ 1010

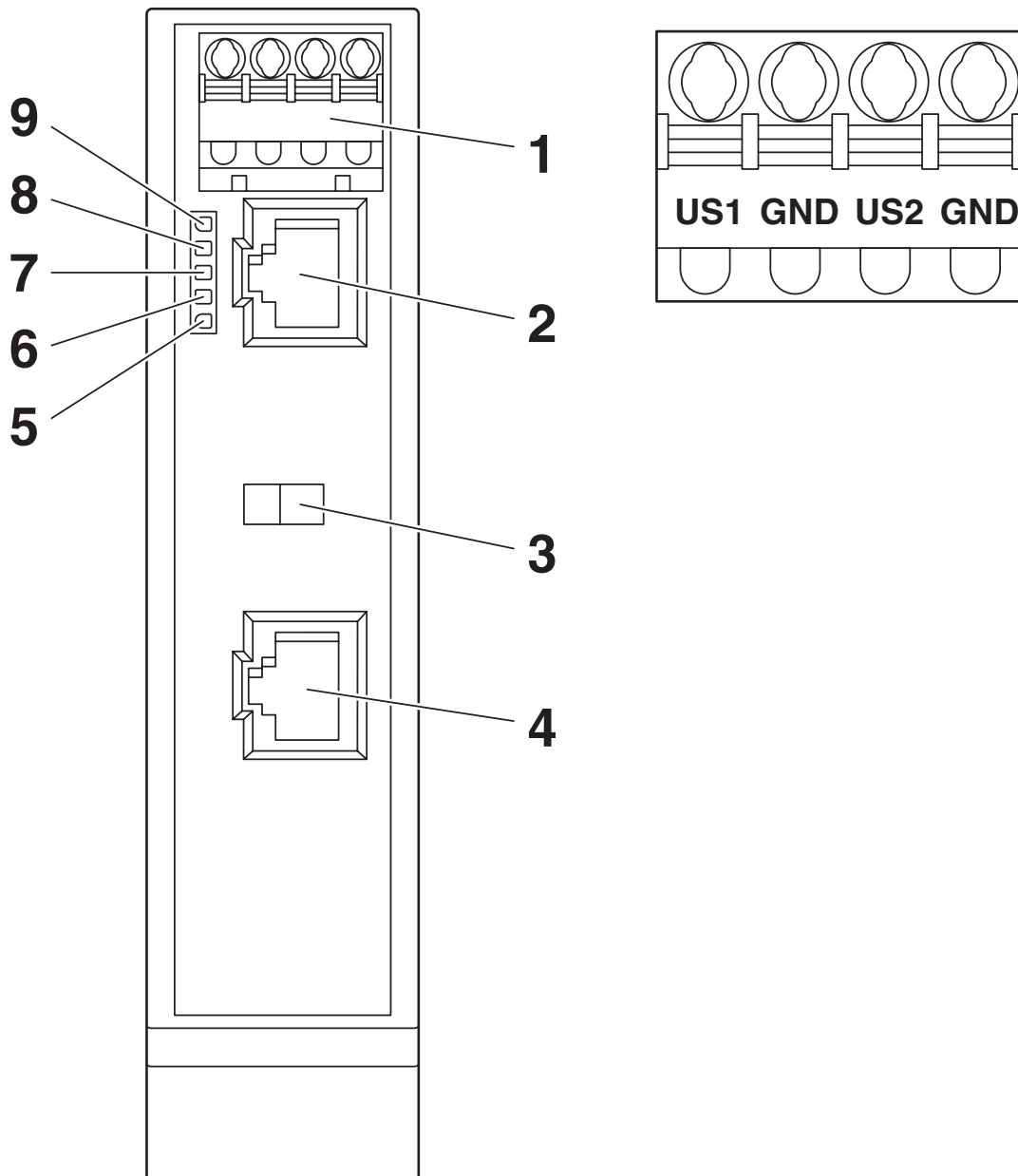
2703007

<https://www.phoenixcontact.com/pc/products/2703007>



Drawings

Schematic diagram



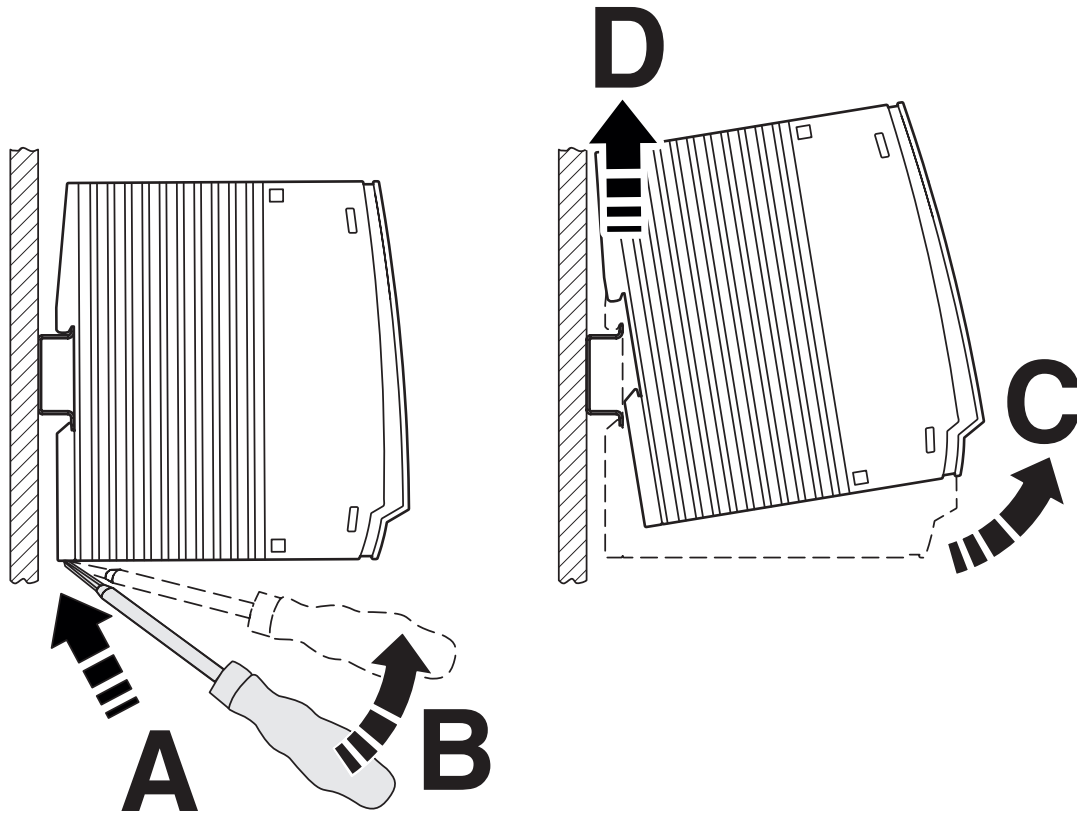
Front view

Injector - INJ 1010

2703007

<https://www.phoenixcontact.com/pc/products/2703007>

Schematic diagram



Removal

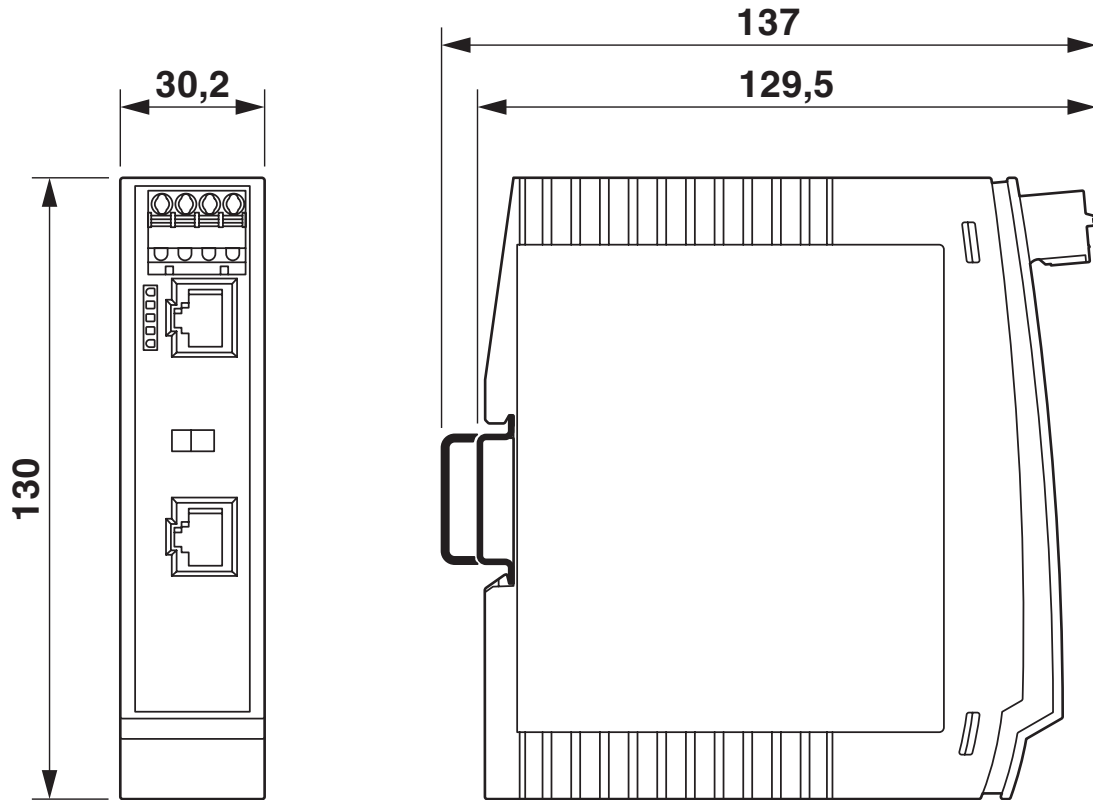
Injector - INJ 1010

2703007

<https://www.phoenixcontact.com/pc/products/2703007>



Dimensional drawing



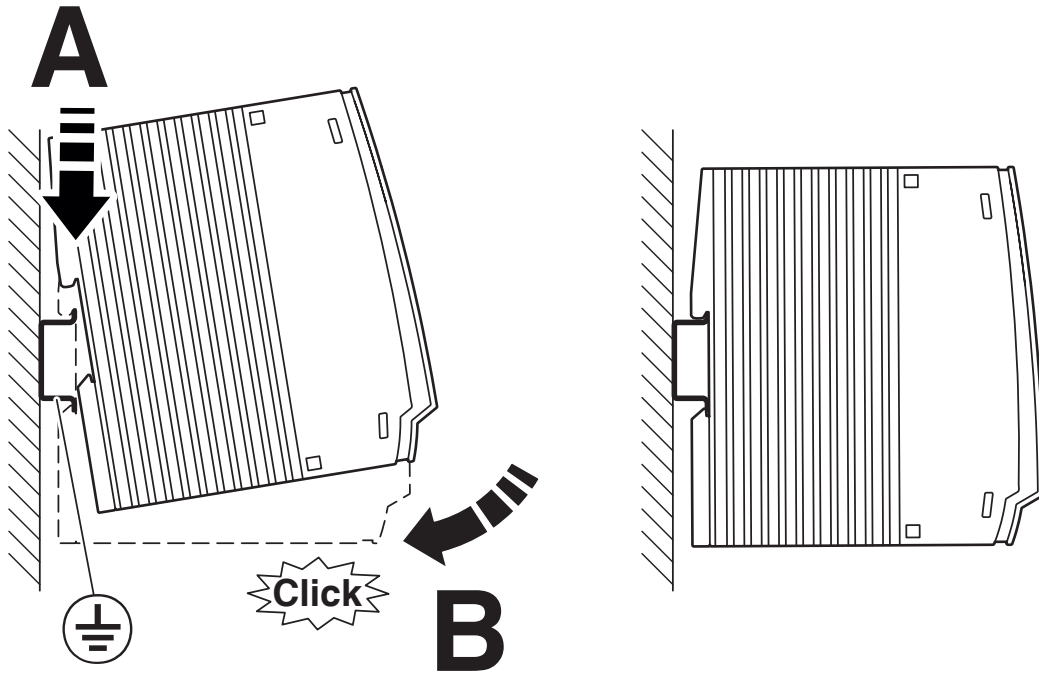
Injector - INJ 1010

2703007

<https://www.phoenixcontact.com/pc/products/2703007>



Schematic diagram



Mounting

Injector - INJ 1010



2703007

<https://www.phoenixcontact.com/pc/products/2703007>

Approvals



EAC

Approval ID: RU *-DE.A*30.B.03171



UL Listed

Approval ID: FILE E 238705



cUL Listed

Approval ID: FILE E 238705



cUL Listed

Approval ID: FILE E 196811



UL Listed

Approval ID: FILE E 196811

cULus Listed

cULus Listed

Injector - INJ 1010

2703007

<https://www.phoenixcontact.com/pc/products/2703007>



Classifications

ECLASS

ECLASS-9.0	19170112
ECLASS-10.0.1	19170112
ECLASS-11.0	19170112

ETIM

ETIM 8.0	EC002697
----------	----------

UNSPSC

UNSPSC 21.0	43223300
-------------	----------

Injector - INJ 1010

2703007

<https://www.phoenixcontact.com/pc/products/2703007>



Environmental Product Compliance

REACH SVHC	Lead 7439-92-1
China RoHS	Environmentally Friendly Use Period = 10;
	For information on hazardous substances, refer to the manufacturer's declaration available under "Downloads"

Injector - INJ 1010

2703007

<https://www.phoenixcontact.com/pc/products/2703007>



Accessories

Assembly tool

Assembly tool - FL CRIMPTOOL - 2744869

<https://www.phoenixcontact.com/pc/products/2744869>

Crimping pliers, for assembling the RJ45 plugs FL PLUG RJ45..., for assembly on site



Network cable

Network cable - FL CAT5 HEAVY - 2744814

<https://www.phoenixcontact.com/pc/products/2744814>



CAT5-SF/UTP cable (J-02YS(ST)C HP 2 x 2 x 24 AWG), heavy-duty installation cable, 2 x 2 x 0.22 mm², solid conductor, shielded, outer sheath: 7.8 mm diameter, inner sheath: 5.75 mm ± 0.15 mm diameter

Injector - INJ 1010

2703007

<https://www.phoenixcontact.com/pc/products/2703007>



Network cable

Network cable - FL CAT5 HEAVY CONF/ - 2744827

<https://www.phoenixcontact.com/pc/products/2744827>



CAT5-SF/UTP cable (J-02YS(ST)C HP 2 x 2 x 24 AWG), heavy-duty installation cable, 2 x 2 x 0.22 mm², solid conductor, shielded, outer sheath: 7.8 mm diameter, inner sheath: 5.75 mm ± 0.15 mm diameter, preassembled on both sides with RJ45 plug, crossover or line

Installation cable

Installation cable - FL CAT5 FLEX - 2744830

<https://www.phoenixcontact.com/pc/products/2744830>



By the meter, Installation cable, Ethernet CAT5 (100 Mbps), shielded, PUR halogen-free, water blue RAL 5021, 4-wire (2x2xAWG26/7; SF/UTP), color single wire: white/orange-orange, white/green-green, cable length: Free entry (1.0 ... 1000.0 m)

Injector - INJ 1010

2703007

<https://www.phoenixcontact.com/pc/products/2703007>



Network cable

Network cable - FL CAT5 FLEX CONF/ - 2744843

<https://www.phoenixcontact.com/pc/products/2744843>



CAT5-SF/UTP cable (J-LI02YS(ST)C H 2 x 2 x 26 AWG), light-duty, flexible installation cable 2 x 2 x 0.14 mm², stranded, shielded, outer sheath: 5.75 mm ± 0.15 mm diameter, preassembled on both sides with RJ45 plug, crossover or line assignment

Network isolator

Network isolator - FL ISOLATOR 100-RJ/SC - 2313928

<https://www.phoenixcontact.com/pc/products/2313928>



Passive network isolator for electrical isolation in Ethernet networks. This protects Ethernet devices from potential differences of up to 4 kV. Can be used for transmission speeds of up to 100 Mbps. Connection using RJ45 and COMBICON plug-in screw terminal block.

Injector - INJ 1010

2703007

<https://www.phoenixcontact.com/pc/products/2703007>



Network isolator

Network isolator - FL ISOLATOR 100-RJ/RJ - 2313931

<https://www.phoenixcontact.com/pc/products/2313931>



Passive network isolator for electrical isolation in Ethernet networks. This protects Ethernet devices from potential differences of up to 4 kV. Can be used for transmission speeds of up to 100 Mbps. Possible to connect two RJ45 plugs.

Network isolator

Network isolator - FL ISOLATOR 1000-RJ/RJ - 2313915

<https://www.phoenixcontact.com/pc/products/2313915>



Passive network isolator for electrical isolation in Ethernet networks. This protects Ethernet devices from potential differences of up to 4 kV. Can be used for transmission speeds of up to 1 Gbps. Possible to connect two RJ45 plugs.

Injector - INJ 1010

2703007

<https://www.phoenixcontact.com/pc/products/2703007>



Network isolator

Network isolator - FL ISOLATOR 100-M12 - 2902985

<https://www.phoenixcontact.com/pc/products/2902985>



Passive network isolator for electrical isolation in Ethernet networks. For the protection of Ethernet devices against potential differences of up to 4 kV. Can be used for transmission speeds of up to 100 Mbps. Ethernet connection via two M12 sockets (D-coded).

Patch cable

Patch cable - FL CAT5 PATCH 0,3 - 2832250

<https://www.phoenixcontact.com/pc/products/2832250>



Patch cable, CAT5, assembled, 0.3 m

Injector - INJ 1010

2703007

<https://www.phoenixcontact.com/pc/products/2703007>



Patch cable

Patch cable - FL CAT5 PATCH 0,5 - 2832263

<https://www.phoenixcontact.com/pc/products/2832263>



Patch cable, CAT5, assembled, 0.5 m

Patch cable

Patch cable - FL CAT5 PATCH 1,0 - 2832276

<https://www.phoenixcontact.com/pc/products/2832276>



Patch cable, CAT5, assembled, 1 m

Injector - INJ 1010

2703007

<https://www.phoenixcontact.com/pc/products/2703007>



Patch cable

Patch cable - FL CAT5 PATCH 1,5 - 2832221

<https://www.phoenixcontact.com/pc/products/2832221>



Patch cable, CAT5, assembled, 1.5 m

Patch cable

Patch cable - FL CAT5 PATCH 2,0 - 2832289

<https://www.phoenixcontact.com/pc/products/2832289>



Patch cable, CAT5, assembled, 2 m

Injector - INJ 1010

2703007

<https://www.phoenixcontact.com/pc/products/2703007>



Patch cable

Patch cable - FL CAT5 PATCH 3,0 - 2832292

<https://www.phoenixcontact.com/pc/products/2832292>

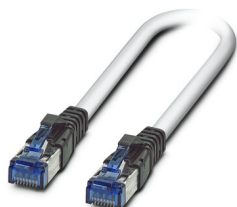


Patch cable, CAT5, assembled, 3 m

Patch cable

Patch cable - FL CAT6 PATCH 0,3 - 2891181

<https://www.phoenixcontact.com/pc/products/2891181>



Patch cable, CAT6, pre-assembled, 0.3 m

Injector - INJ 1010

2703007

<https://www.phoenixcontact.com/pc/products/2703007>



Patch cable

Patch cable - FL CAT6 PATCH 0,5 - 2891288

<https://www.phoenixcontact.com/pc/products/2891288>

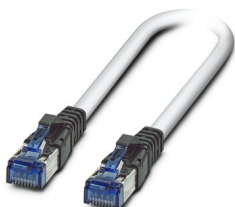


Patch cable, CAT6, pre-assembled, 0.5 m

Patch cable

Patch cable - FL CAT6 PATCH 1,0 - 2891385

<https://www.phoenixcontact.com/pc/products/2891385>



Patch cable, CAT6, pre-assembled, 1.0 m

Injector - INJ 1010

2703007

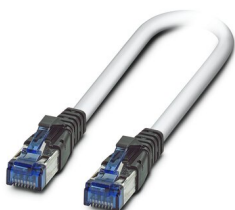
<https://www.phoenixcontact.com/pc/products/2703007>



Patch cable

Patch cable - FL CAT6 PATCH 1,5 - 2891482

<https://www.phoenixcontact.com/pc/products/2891482>

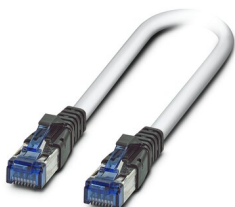


Patch cable, CAT6, pre-assembled, 1.5 m

Patch cable

Patch cable - FL CAT6 PATCH 2,0 - 2891589

<https://www.phoenixcontact.com/pc/products/2891589>



Patch cable, CAT6, pre-assembled, 2.0 m

Injector - INJ 1010

2703007

<https://www.phoenixcontact.com/pc/products/2703007>



Patch cable

Patch cable - FL CAT6 PATCH 3,0 - 2891686

<https://www.phoenixcontact.com/pc/products/2891686>

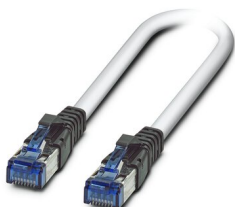


Patch cable, CAT6, pre-assembled, 3.0 m

Patch cable

Patch cable - FL CAT6 PATCH 5,0 - 2891783

<https://www.phoenixcontact.com/pc/products/2891783>



Patch cable, CAT6, pre-assembled, 5.0 m

Injector - INJ 1010

2703007

<https://www.phoenixcontact.com/pc/products/2703007>



Patch cable

Patch cable - FL CAT6 PATCH 7,5 - 2891880

<https://www.phoenixcontact.com/pc/products/2891880>

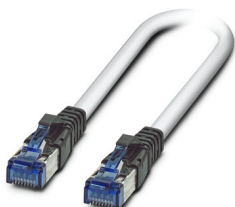


Patch cable, CAT6, pre-assembled, 7.5 m

Patch cable

Patch cable - FL CAT6 PATCH 10 - 2891877

<https://www.phoenixcontact.com/pc/products/2891877>



Patch cable, CAT6, pre-assembled, 10 m

Injector - INJ 1010

2703007

<https://www.phoenixcontact.com/pc/products/2703007>



Patch cable

Patch cable - FL CAT6 PATCH 12,5 - 2891369

<https://www.phoenixcontact.com/pc/products/2891369>

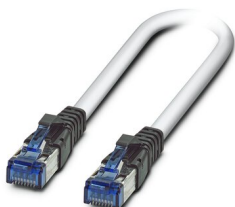


Patch cable, CAT6, pre-assembled, 12.5 m

Patch cable

Patch cable - FL CAT6 PATCH 15,0 - 2891372

<https://www.phoenixcontact.com/pc/products/2891372>



Patch cable, CAT6, pre-assembled, 15.0 m

Injector - INJ 1010

2703007

<https://www.phoenixcontact.com/pc/products/2703007>



Patch cable

Patch cable - FL CAT6 PATCH 20,0 - 2891576

<https://www.phoenixcontact.com/pc/products/2891576>



Patch cable, CAT6, pre-assembled, 20.0 m

Stripping tool

Stripping tool - VS-CABLE-STRIP-VARIO - 1657407

<https://www.phoenixcontact.com/pc/products/1657407>



Stripping tool, for the multi-level stripping of shielded cables

Injector - INJ 1010

2703007

<https://www.phoenixcontact.com/pc/products/2703007>



RJ45 connector

RJ45 connector - VS-08-RJ45-5-Q/IP20 - 1656725

<https://www.phoenixcontact.com/pc/products/1656725>



RJ45 connector, degree of protection: IP20, number of positions: 8, 1 Gbps, CAT5 (IEC 11801:2002), material: PA, connection method: IDC fast connection, connection cross section: AWG 26- 23, cable outlet: straight, color: traffic grey A RAL 7042, Ethernet

RJ45 connector

RJ45 connector - VS-08-RJ45-5-Q/IP20 BK - 1658008

<https://www.phoenixcontact.com/pc/products/1658008>



RJ45 connector, type: RJ45, degree of protection: IP20, number of positions: 8, 1 Gbps, CAT5 (IEC 11801:2002), material: PA, connection method: IDC fast connection, connection cross section: AWG 26- 23, cable outlet: straight, color: black, Ethernet

Injector - INJ 1010

2703007

<https://www.phoenixcontact.com/pc/products/2703007>



Screwdriver

Screwdriver - SZF 0-0,4X2,5 - 1204504

<https://www.phoenixcontact.com/pc/products/1204504>



Actuation tool, for ST terminal blocks, also suitable for use as a bladed screwdriver, size: 0.4 x 2.5 x 75 mm, 2-component grip, with non-slip grip

Diagonal cutter

Diagonal cutter - MICROFOX-SP - 1212488

<https://www.phoenixcontact.com/pc/products/1212488>



Electronic diagonal cutter, tapered head, angled (21°), without chamfer, with opening spring

Injector - INJ 1010

2703007

<https://www.phoenixcontact.com/pc/products/2703007>



Network cable

Network cable - VS-OE-OE-94F/... - 1417359

<https://www.phoenixcontact.com/pc/products/1417359>



Network cable, Ethernet CAT6_A (10 Gbps), 8-position halogen-free, shielded, free cable end, on free cable end, cable length: Free entry (0.5 ... 400 m)

Phoenix Contact 2022 © - all rights reserved

<https://www.phoenixcontact.com>

PHOENIX CONTACT GmbH & Co. KG

Flachsmarktstraße 8

D-32825 Blomberg

+49 (0) 5235-3 00

info@phoenixcontact.com