

Product datasheet

Specifications



Illuminated LED unit for modular tower lights, green, Ø60, steady, IP65, 24 V AC/DC

TSI code: 403037706 XVUC23

Main

| | |
|------------------------------------|--|
| Range of product | Harmony XVU |
| Product or component type | Modular tower light |
| Beacon or indicator bank unit type | LED unit |
| Mounting diameter | 60 mm |
| Component name | XVU |
| Light source | LED, green |
| Device application | Automotive Packaging machine Machine tools |

Complementary

| | |
|--------------------------------|--|
| Signalling type | Steady |
| Assembly style | Customer assembly, up to 5 units Up to 4 units with buzzer |
| Material | PC (polycarbonate) V-2 conforming to UL 94 PC (polycarbonate) V-0 conforming to UL 94 |
| [Us] rated supply voltage | 24 V AC/DC |
| Maximum power dissipation in W | 2.5 W |
| Current consumption | <= 50 mA |
| Signalling type | Steady |
| Length | 50 mm |
| Net weight | 0.064 kg |

Environment

| | |
|---------------------------------------|-----------------|
| Product certifications | CSA UL CE |
| Ambient air temperature for storage | -40...70 °C |
| IP degree of protection | IP65 |
| Ambient air temperature for operation | -25...50 °C |
| Vibration resistance | 2 gn |

Packing Units

| | |
|------------------------------|---------|
| Unit Type of Package 1 | PCE |
| Number of Units in Package 1 | 1 |
| Package 1 Weight | 145 g |
| Package 1 Height | 9 cm |
| Package 1 width | 13.3 cm |
| Package 1 Length | 9.1 cm |
| Unit Type of Package 2 | S03 |
| Number of Units in Package 2 | 24 |
| Package 2 Weight | 4.04 kg |
| Package 2 Height | 30 cm |
| Package 2 width | 30 cm |
| Package 2 Length | 40 cm |
| Package 3 Height | 80 cm |

Offer Sustainability

| | |
|----------------------------|---|
| Sustainable offer status | Green Premium product |
| REACH Regulation | REACH Declaration |
| EU RoHS Directive | Pro-active compliance (Product out of EU RoHS legal scope) EU RoHS Declaration |
| Mercury free | Yes |
| RoHS exemption information | Yes |
| China RoHS Regulation | China RoHS declaration |
| Environmental Disclosure | Product Environmental Profile |
| Circularity Profile | End of Life Information |

Contractual warranty

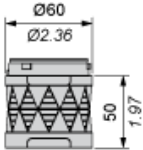
| | |
|----------|-----------|
| Warranty | 18 months |
|----------|-----------|

Illuminated LED Unit

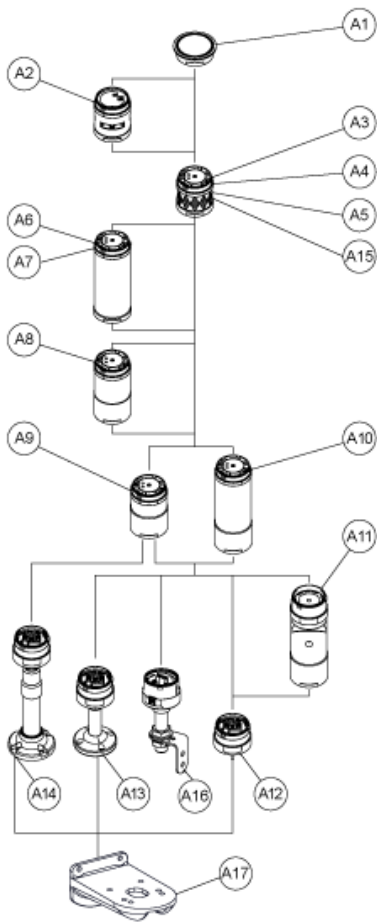
Dimensions

mm

in.



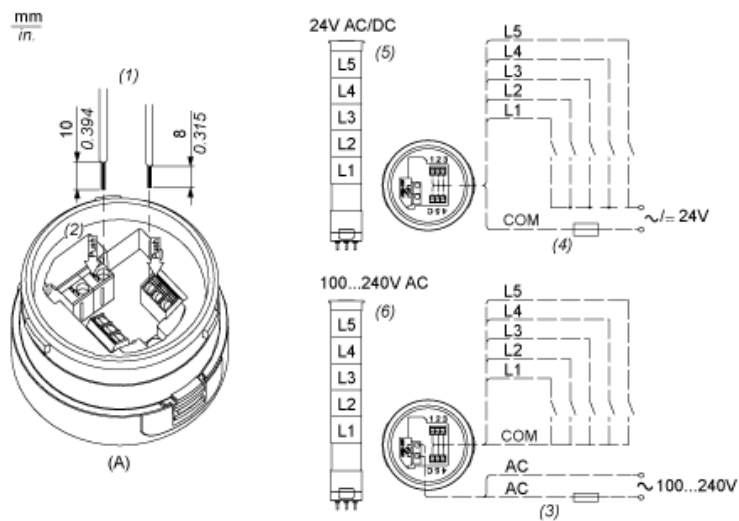
Modular Tower Lights Mounting



| Drawing | Part number | Part name |
|---------|-------------|---|
| A1 | - | Top cover |
| | - | Top cover (Silver) |
| A2 | XVUC9S | Buzzer unit |
| | XVUC9SQ | Buzzer unit (Silver) |
| A3 | XVUC23 | Green LED unit |
| | XVUC24 | Red LED unit |
| | XVUC25 | Orange LED unit |
| | XVUC26 | Blue LED unit |
| | XVUC27 | White LED unit |
| | XVUC28 | Yellow LED unit |
| A4 | XVUC29 | Multi-LED unit |
| A5 | XVUC29P | Multi-LED unit, Pulse signal |
| A6 | XVUC9V | Sound unit |
| A7 | XVUC9VP | Sound unit, Pulse signal |
| A8 | XVUC020 | Extender |
| | XVUC020Q | Extender (Silver) |
| A9 | XVUC21B | DC body |
| | XVUC21BQ | DC body (Silver) |
| A10 | XVUC21M | AC body NPN |
| | XVUC21MP | AC body PNP |
| | XVUC21MQP | AC body PNP (Silver) |
| A11 | XVUZ06 | Flexible option |
| A12 | XVUZ01 | Fixing Unit - Direct mounting (3 pins) |
| | XVUZ01Q | Fixing Unit - Direct mounting (Silver,3 pins) |
| | XVUZ03 | Fixing Unit - Direct mounting (2 pins) |
| | XVUZ04 | Fixing Unit - Direct mounting (4 pins) |

| Drawing | Part number | Part name |
|------------|-------------|---|
| A13 | XVUZ02 | Fixing Unit - Plate with Pole (100 mm) |
| | XVUZ02Q | Fixing Unit - Plate with Pole (100 mm, Silver) |
| | XVUZ400 | Fixing Unit - Plate with Pole (400 mm) |
| | XVUZ800 | Fixing Unit - Plate with Pole (800 mm) |
| A14 | XVUZ05 | Fixing Unit - Plate with adjustment pole (100-385 mm) |
| A15 | XVUC43 | Green LED unit, Flash |
| | XVUC44 | Red LED unit, Flash |
| | XVUC45 | Orange LED unit, Flash |
| | XVUC46 | Blue LED unit, Flash |
| | XVUC47 | White LED unit, Flash |
| | XVUC48 | Yellow LED unit, Flash |
| A16 | XVUZ100T | Fixing Unit - Metal bracket with pole (100 mm) |
| | XVUZ250T | Fixing Unit - Metal bracket with pole(250 mm) |
| | XVUZ400T | Fixing Unit - Metal bracket with pole (400 mm) |
| A17 | XVUZ12 | Fixing plate for use on vertical support - black |

Illuminated Units, Multi-LED and Audible Units Wiring



- (A) Fixing Unit
 - (1) Dimensions of Wiring size
 - (2) Push-in Wire Connectors
 - (3) Fuse : 2A ,250V
 - (4) Fuse : 0.5A ,125V
 - (5) Modular Tower Lights 24V AC/DC
 - (6) Modular Tower Lights 100...240V AC
- L1 to L5 Illuminated LED Units