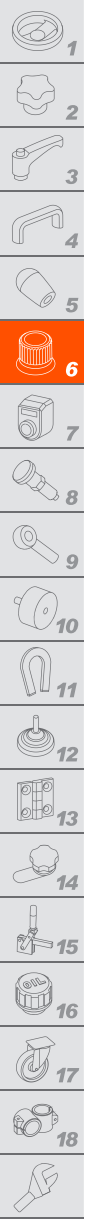


GN 436.1 | Slotted control knobs

with graduations, stainless steel



MATERIAL

AISI 304 stainless steel, sandblasted matte finish.

STANDARD EXECUTIONS

H8 reamed hole. Assembly by means of a supplied stainless steel transversal grub screw with hexagon socket.

- **GN 436.1-A**: knob with triangular index.
- **GN 436.1-B**: knob with plain surface, without index and without graduation.
- **GN 436.1-S**: knob with standard graduation, 20 marks, numbering from 0 to 9 increases as the knob is turned clockwise.

FEATURES AND APPLICATIONS

The graduated scale or triangular index of GN 436.1 control knobs are laser-engraved and are therefore abrasion resistant.

SPECIAL EXECUTIONS ON REQUEST

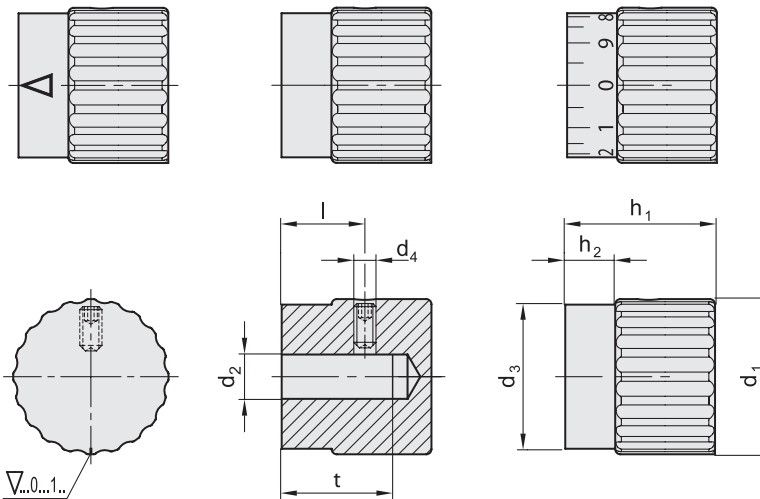
Different graduations (see page 611).



GN 436.1-A

GN 436.1-B

GN 436.1-S



GN 436.1-A

Code	Description	d1	d2 H8	d4	d3	l	h1	h2	tmin	⚖
GN.22167	GN 436.1-24-B5-A-MT	24	5	M4	22	12	24	8	18	75
GN.22170	GN 436.1-24-B6-A-MT	24	6	M4	22	12	24	8	18	80
GN.22173	GN 436.1-28-B6-A-MT	28	6	M4	26	13	27	9	20	120
GN.22176	GN 436.1-28-B8-A-MT	28	8	M4	26	13	27	9	20	160

GN 436.1-B

Code	Description	d1	d2 H8	d4	d3	l	h1	h2	tmin	⚖
GN.22168	GN 436.1-24-B5-B-MT	24	5	M4	22	12	24	8	18	75
GN.22171	GN 436.1-24-B6-B-MT	24	6	M4	22	12	24	8	18	80
GN.22174	GN 436.1-28-B6-B-MT	28	6	M4	26	13	27	9	20	120
GN.22177	GN 436.1-28-B8-B-MT	28	8	M4	26	13	27	9	20	160

GN 436.1-S

Code	Description	d1	d2 H8	d4	d3	l	h1	h2	tmin	⚖
GN.22169	GN 436.1-24-B5-S-MT	24	5	M4	22	12	24	8	18	75
GN.22172	GN 436.1-24-B6-S-MT	24	6	M4	22	12	24	8	18	80
GN.22175	GN 436.1-28-B6-S-MT	28	6	M4	26	13	27	9	20	120
GN.22178	GN 436.1-28-B8-S-MT	28	8	M4	26	13	27	9	20	160



Control elements