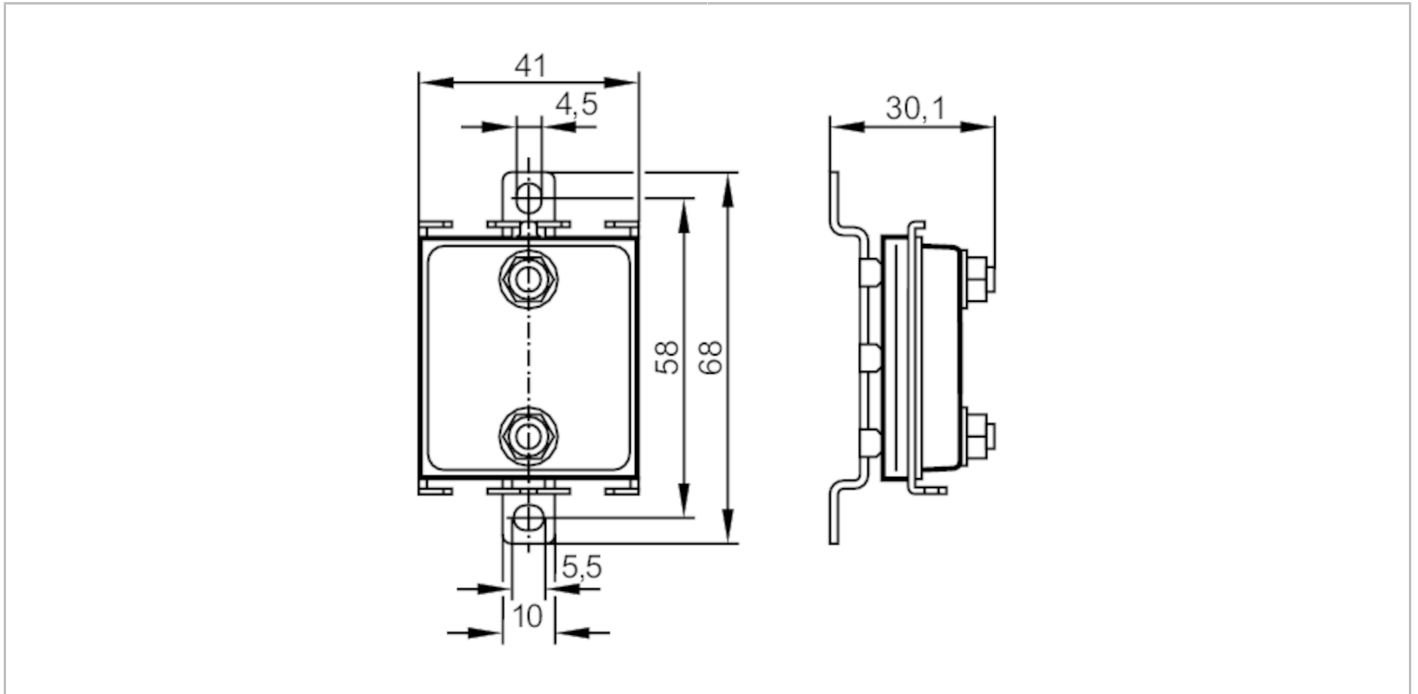


E70377



AS-Interface flat cable splitter

FCE Splitter yeye ProcessL



Electrical data

| | | |
|-------------------------|-----|-----|
| Protection class | | III |
| Max. current load total | [A] | 8 |

Outputs

| | | |
|-------------------|--|------|
| Electrical design | | AS-i |
|-------------------|--|------|

Operating conditions

| | | |
|---------------------|------|---------------|
| Ambient temperature | [°C] | -30...80 |
| Protection | | IP 68; IP 69K |

Mechanical data

| | | |
|-----------|-----|---|
| Weight | [g] | 101.5 |
| Materials | | metal parts: stainless steel (1.4404 / 316L); rubber gasket for contact pins: FKM |

Accessories

| | | |
|------------------------|--|------------------------|
| Accessories (optional) | | Torque wrench:, E70390 |
|------------------------|--|------------------------|

Remarks

| | | |
|---------------|--|-----------------------------------|
| Remarks | | tightening torque screws < 2,5 Nm |
| Pack quantity | | 1 pcs. |