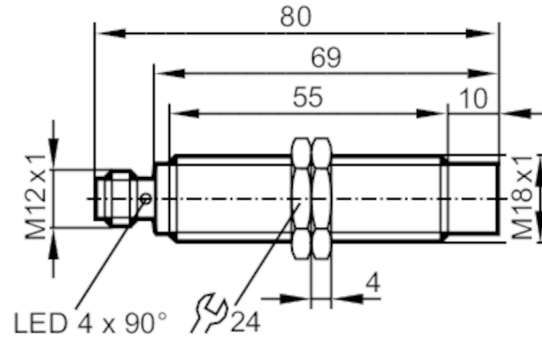




## Inductive sensor

IGA4008-CPKG/US-104



### Product characteristics

Electrical design		PNP
Output function		complementary
Sensing range	[mm]	8
Housing		threaded type
Dimensions	[mm]	M18 x 1 / L = 80

### Electrical data

Operating voltage	[V]	10...30 DC
Current consumption	[mA]	< 10
Protection class		II
Reverse polarity protection		yes

### Inputs

Overload protection digital inputs		yes
------------------------------------	--	-----

### Outputs

Electrical design		PNP
Output function		complementary
Max. voltage drop switching output DC	[V]	2.5
Permanent current rating of switching output DC	[mA]	200
Switching frequency DC	[Hz]	300
Short-circuit protection		yes
Overload protection		yes

### Detection zone

Sensing range	[mm]	8
Real sensing range Sr	[mm]	8 ± 10 %
Operating distance	[mm]	0...6.48

### Accuracy / deviations

Correction factor		steel: 1 / stainless steel: 0.7 / brass: 0.5 / aluminium: 0.4 / copper: 0.3
Hysteresis	[% of Sr]	3...15
Switch point drift	[% of Sr]	-10...10

# IG5842



## Inductive sensor

IGA4008-CPKG/US-104

Operating conditions		
Ambient temperature	[°C]	-25...80
Protection		IP 65
Tests / approvals		
EMC		EN 60947-5-2
		EN 55011
		class B
MTTF	[years]	1349
Mechanical data		
Weight	[g]	67.6
Housing		threaded type
Mounting		non-flush mountable
Dimensions	[mm]	M18 x 1 / L = 80
Thread designation		M18 x 1
Materials		brass white bronze coated; Sensing face: PBT orange; LED window: PEI; lock nuts: brass white bronze coated
Displays / operating elements		
Display	switching status	1 x LED, yellow
Accessories		
Accessories (supplied)		lock nuts: 2
Remarks		
Pack quantity		1 pcs.
Electrical connection - plug		

Connector: 1 x M12



# IG5842



## Inductive sensor

IGA4008-CPKG/US-104

### Connection

