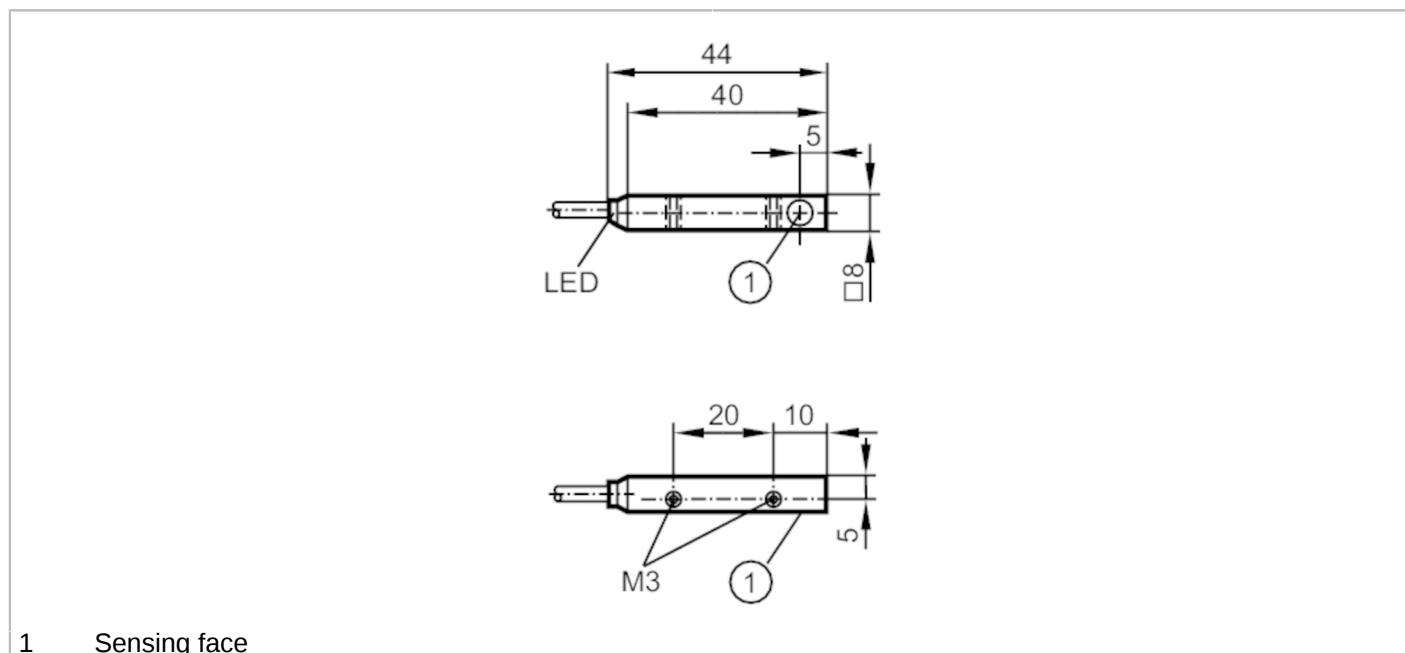


# IL5020



## Inductive sensor

ILA32,5-BPKG/OBEN/PH RT



1 Sensing face



### Product characteristics

Electrical design		PNP
Output function		normally open
Sensing range	[mm]	2.5
Housing		rectangular
Dimensions	[mm]	40 x 8 x 8

### Electrical data

Operating voltage	[V]	10...36 DC; (limited voltage requirements to UL 508: electrically isolated operating voltage protected by an overcurrent device)
Current consumption	[mA]	15; (24 V)
Protection class		III
Reverse polarity protection		yes

### Outputs

Electrical design		PNP
Output function		normally open
Max. voltage drop switching output DC	[V]	2.5
Permanent current rating of switching output DC	[mA]	250
Switching frequency DC	[Hz]	2000
Short-circuit protection		yes
Type of short-circuit protection		pulsed
Overload protection		yes

# IL5020



## Inductive sensor

ILA32,5-BPKG/OBEN/PH RT

Detection zone		
Sensing range	[mm]	2.5
Real sensing range Sr	[mm]	2.5 ± 10 %
Operating distance	[mm]	0...2.02
Accuracy / deviations		
Correction factor		steel: 1 / stainless steel: 0.7 / brass: 0.5 / aluminium: 0.4 / copper: 0.3
Hysteresis	[% of Sr]	1...15
Switch point drift	[% of Sr]	-10...10
Operating conditions		
Ambient temperature	[°C]	-25...70
Protection		IP 65
Tests / approvals		
EMC		EN 60947-5-2
MTTF	[years]	3449
UL approval	Ta	-25...70 °C
	Enclosure type	Type 1
	voltage supply	Limited Voltage/Current
	File number UL	E174191
Mechanical data		
Weight	[g]	48.9
Housing		rectangular
Mounting		flush mountable
Dimensions	[mm]	40 x 8 x 8
Materials		brass white bronze coated; LCP
Tightening torque	[Nm]	1; (insertion depth: > 5 mm)
Displays / operating elements		
Display	switching status	1 x LED, red
Remarks		
Pack quantity		1 pcs.

# IL5020



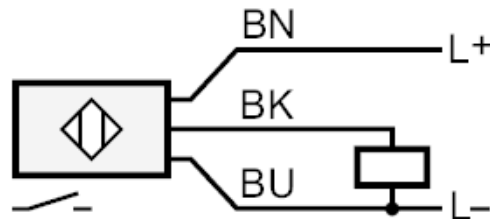
## Inductive sensor

ILA32,5-BPKG/OBEN/PH RT

### Electrical connection

Cable: 2 m, PUR; 3 x 0.14 mm<sup>2</sup>

### Connection



Core colours :

BN = brown  
BU = blue  
BK = black