

CUBE67 BUS NODES

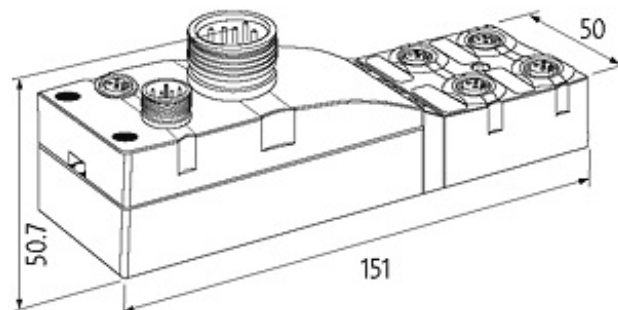
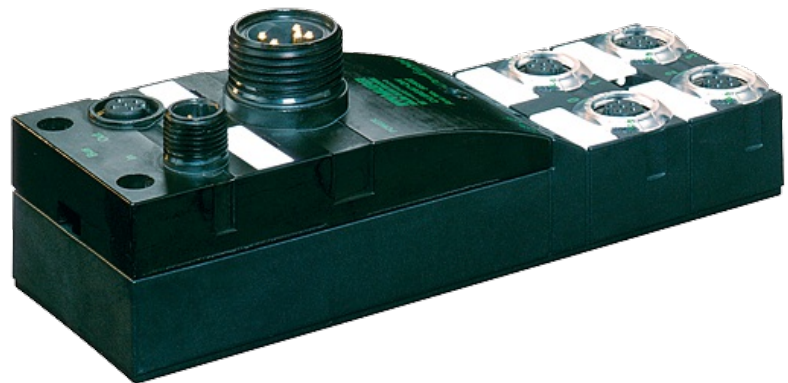
DeviceNet

DeviceNet

Housing fully potted. For connection cables please see chapter "Connection Technology"

[Link to Product](#)

Illustration



Product may differ from Image

Approvals



More Info



Connections

Fieldbus

M12, A-coded

Sensor-system/actuator supply	via 7/8" power; max. 9 A
Internal system connection	M12, 6 pole; max. 4 A
Fieldbus	
Operating modes	Polling; change of state; Cyclic
Transfer rate	125, 250, 500 kbit/s
Addressing	Rotary switch 0...63
General data	
Protection	IP67
Mounting method	2-hole screw mounting
Temperature range	0...+55 °C (storage temperature -20...+75 °C)
Dimensions H × W × D	151×50×50.3 mm
Module Supply	
Operating voltage	24 V DC (EN 61131-2)
Current consumption	approx. 70 mA
Diagnostic	
Communication status	per LED and BUS
Diagnostic via LED	per module and channel
Diagnostic via BUS	per module and channel
Monitoring - under voltage	yes
Monitoring - no voltage	yes
Short circuit and overload	yes
Commercial data	
country of origin	DE
customs tariff number	85176200
minimum order quantity	1