




SIVACON SICUBE TURNING LEVER



General Product Approval	EMC	Declaration of Conformity	Test Certificates	other
 GOST		 EG-Konf.	<a href="#">Special Test Certificate</a>	<a href="#">other</a>

Further information

**Information- and Downloadcenter (Catalogs, Brochures,...)**

<http://www.siemens.com/lowvoltage/catalogs>

**Industry Mall (Online ordering system)**

<https://eb.automation.siemens.com/mall/en/WW/Catalog/Product/8MF10002VP>

**Service&Support (Manuals, Certificates, Characteristics, FAQs,...)**

<http://support.automation.siemens.com/WW/view/en/8MF10002VP/all>

**Image database (product images, 2D dimension drawings, 3D models, device circuit diagrams, ...)**

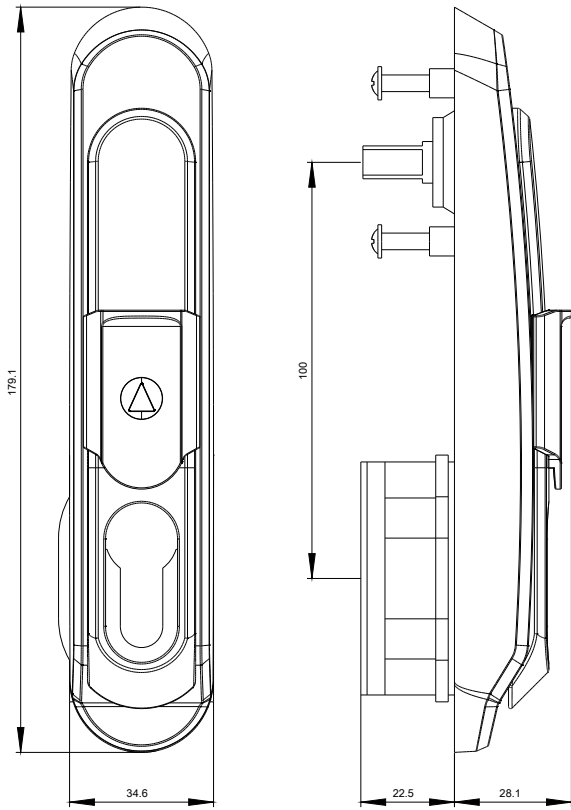
[http://www.automation.siemens.com/bilddb/cax\\_en.aspx?mlfb=8MF10002VP](http://www.automation.siemens.com/bilddb/cax_en.aspx?mlfb=8MF10002VP)

**CAX-Online-Generator**

<http://www.siemens.com/cax>

**Tender specifications**

<http://ausschreibungstexte.siemens.com/typiv>



last modified:

11.03.2015