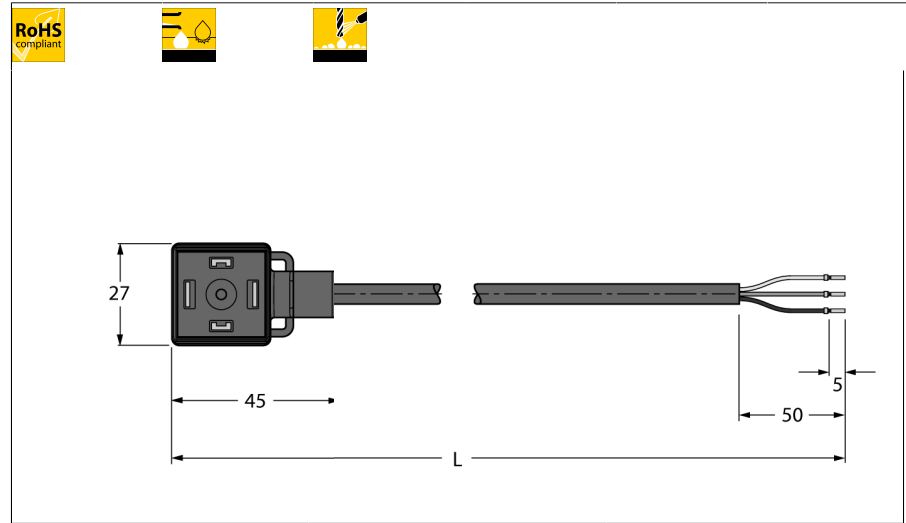


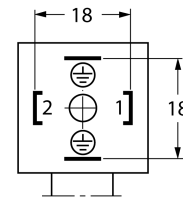
**Valve connector A type
Connection Cable
VAS22-E80E-2/TEL**



- 2-pin + PE, bridged
- Design according to the DIN EN 175301-803
- RoHS conform
- Protection classes IP67 / IP69K
- Protective component: Varistor
- Sheath material: PVC
- Sheath color: black
- Resistant to chemicals and oils
- Flame retardant
- Resistant to acids and alkaline solutions
- Resistant to microbes and hydrolysis
- LABS-free
- Cable length: 2.0 m

Type designation	VAS22-E80E-2/TEL
Ident no.	6606713
Connector A side	
Number of pins	Valve connector, Design A
Contacts	2+PE, PE bridged
Contact carriers	Metal, CuSn, Silver-plated
Grip	Plastic, PA, Black
Protective component	Plastic, TPU, Black/Translucent
Seal	Varistor
Protection class	Plastic, TPU
Display switch state	IP67, IP69K, (mounted)
Mechanical lifespan	LED yellow/yellow
Pollution degree	> 100 Mating cycles
	3
General data	
Cable diameter	6.1 ± 0.20mm
Cable length	2 m
Cable quality	PVC
Cable color	Black
Core insulation	PVC
Core colors	BN, BU, GNYE
Core cross-section	3x0.75mm ²
Arrangement of strands	24x0.195 mm
Electrical features at +20 °C	
Current	4 A
Rated voltage	230 V
Insulation resistance	> 1 MΩ/km
Test voltage	2000 V
Forward resistance	max. 57 Ω/km
Mechanical and chemical properties	
Bending radius (stationary laying)	> 5 x Ø
Bending radius (flexible use)	> 10 x Ø
Ambient temperature	
Stationary	-40...+105°C
In motion	0...+80°C

Pin Assignment



Circuit Diagram

