

# Magnetic Contact Switches

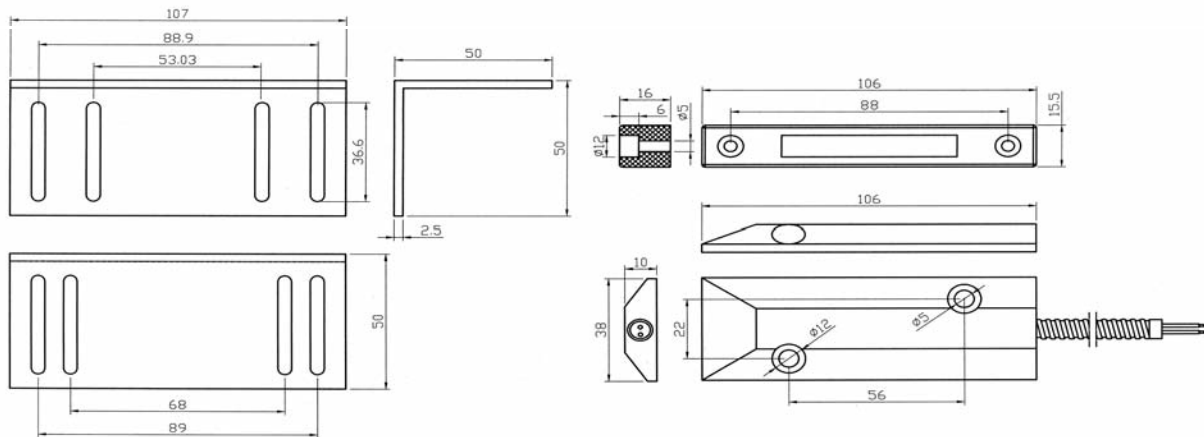
## Specification: MCS-138 Series

- \*Cast Aluminium casting for harsh environments
- \*Wire:#22AWG with 22" armoured cable
- \*Longer leads available
- \*Optional "L" bracket
- \*Resistor, diode and supervisory loop available on request

## Overhead Door Contact



### Dimensions (mm)



## Order Information

Part Number	Loop Type	Reed Form	Closed Gap Inch (mm)	Departure Gap Inch (mm)	Max Initial Contact Resistance (Ohm)	Max Initial Contact rating (W)	Max Switching Voltage (VDC/VAC)	Max Switching Current (A)
MCS-138-1	Closed	N/O	2.95(75)	3.18 (80)	0.150	7.5	100	0.4
MCS-138-2	Closed	N/O	3½(90)	3.75 (95)	0.150	7.5	100	0.4
MCS-138-3	Open	N/C	2½(65)		0.150	3	30	0.2
MCS-138-4	Closed & Open	SPDT	2½(65)		0.150	3	30	0.2
MCS-138-5	DPDT	2SPDT	2½(65)		0.150	3	30	0.2

FORM AE043 ISS.2



ISO 9001:2000  
Req. No FM 21080

As part of the company policy of continued product improvement, specifications may change without notice. Our sales office will be pleased to help you with the latest information on this product range and the details of our full design and manufacturing service. All products are supplied to our standard conditions of sale unless otherwise agreed in writing.

Phone : +44 (0)1255 862236      [www.assemtech.co.uk](http://www.assemtech.co.uk)      Fax: +44 (0)1255 862014

©2010 Copyright Assemtech Europe Ltd, Unit 7, Rice Bridge Industrial Estate, Thorpe - Le - Soken, Essex, CO16 0HL, ENGLAND.  
USA: + 1 973 777 6900 - Belgium: + 32 (0)12 390400 - France: + 33 (0) 1 43 96 86 10