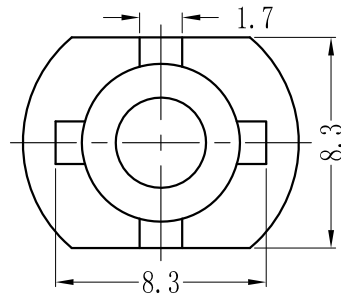
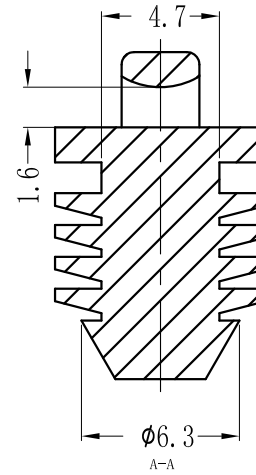
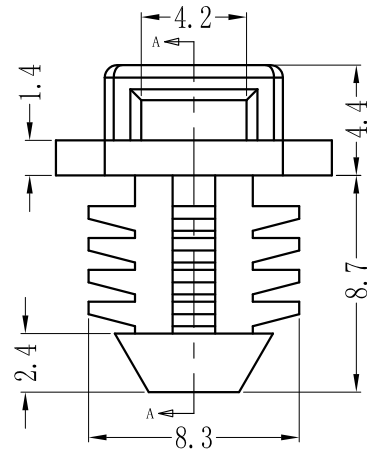
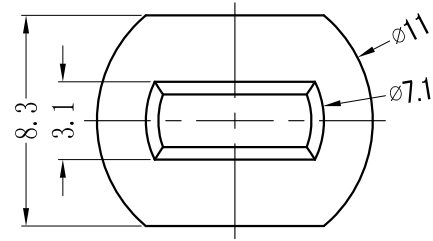


DO NOT SCALE DRAWING

REVISIONS				
ZONE	REV.	DESCRIPTION	DATE	APPROVED
	A	DRAWN	12-02-2015	



NOTES :

1. ALSO AVAILABLE IN FLAME RETARDANT PA66 UL94 V0
2. HOLE:  $\varnothing 7.92 \pm 0.08 \text{MM}$ ; PANEL THICKNESS: 6.4MM



DESIGN RIGHT. TR FASTENINGS LTD. 2003  
 UNDER NO CIRCUMSTANCES MUST THIS  
 DRAWING BE COPIED OR DISCLOSED.  
 WITHOUT FIRST OBTAINING WRITTEN  
 AUTHORITY.

UNLESS OTHERWISE SPECIFIED:  
 DIMENSIONS ARE IN MILLIMETERS.  
 SURFACE FINISH:  
 TOLERANCES:  
 $L \leq 4 = \pm 0.1$   $4 < L \leq 15 = \pm 0.2$   
 $15 < L \leq 50 = \pm 0.3$   $50 < L \leq 100 = \pm 0.4$

NAME	DATE
DRAWN MARTIN ELLIOTT	12/02/2015
CHK'D	
APPV'D	

MATERIAL  
 PA66 UL94 V2 ROHS COMPLIANT

HEAT TREATMENT  
 N/A

FINISH  
 NATURAL

TITLE  
 FLAT TIE HOLDER,  
 BLIND HOLE

CUSTOMER PART NO.

DWG NO.  
 TRFTH-15-01

A3