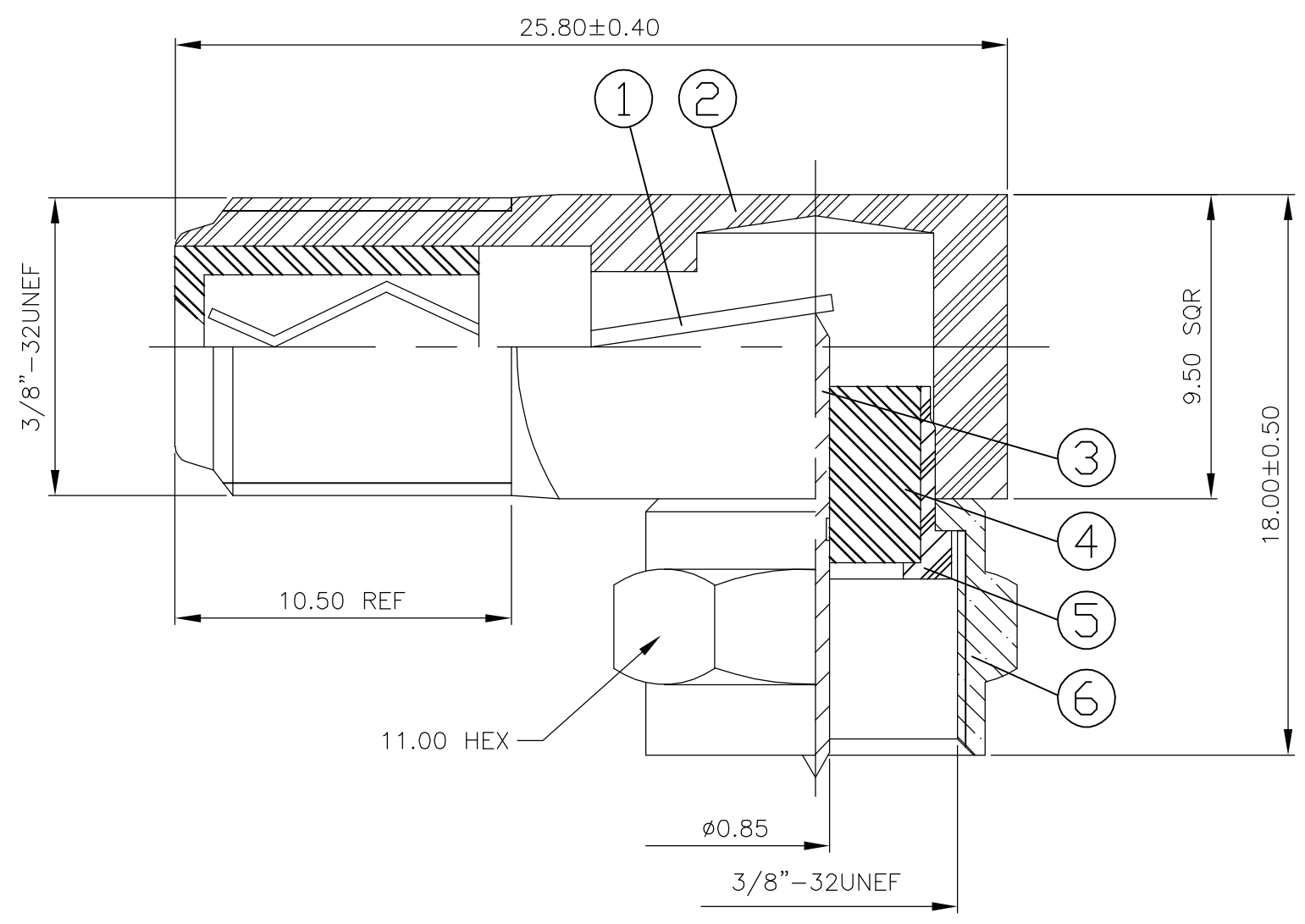


THIS DRAWING IS UNPUBLISHED. RELEASED FOR PUBLICATION MAR ,2004.
 © COPYRIGHT 2004 BY TYCO ELECTRONICS CORPORATION. ALL RIGHTS RESERVED.

LOC	DIST	REVISIONS					
E	B	P	LTR	DESCRIPTION	DATE	DWN	APVD
		A		EBD0-0122-04	04MAR04	JMS	FWK

- NOTES**
- ① 100 TRAY PACK IN ACCORDANCE WITH AMP SPEC 107-3275
 - ② SINGLE PACK IN ACCORDANCE WITH AMP SPEC 107-3275
 - ③ 2.54µm Ni PLATING
 - ④ 3.05µm TIN PLATING



						1	1	BRASS	③	NUT	6
						1	1	BRASS	③	RETAINER	5
						1	1	DELTRIN		INSULATOR	4
						1	1	BRASS	③	CONTACT	3
						1	1	BRASS	③	BODY	2
						1	1	PP+BRASS	④	CONTACT	1
						5--1	5--0	MATERIAL		DESCRIPTION	ITEM
						②	①				
						QUANTITY PER ASSY			PARTS LIST		

THIS DRAWING IS A CONTROLLED DOCUMENT.		DWN J.SANDWELL 04MAR04	Tyco Electronics Corporation Bideford, UK, EX39 4HE	
DIMENSIONS: MM		CHK S.PARLOW 04MAR04		
TOLERANCES UNLESS OTHERWISE SPECIFIED:		APVD F.WHEELER-KING 04MAR04	NAME F SERIES CONNECTOR ELBOW ADAPTOR JACK - PLUG	
0 PLC ± - 1 PLC ± - 2 PLC ± - 3 PLC ± - 4 PLC ± - ANGLES ± -		PRODUCT SPEC -	APPLICATION SPEC -	
MATERIAL -		FINISH -	WEIGHT -	RESTRICTED TO -
CUSTOMER DRAWING			SIZE A3	CAGE CODE 00779
			DRAWING NO C-1634537	RESTRICTED TO -
			SCALE NTS	SHEET 1 OF 1
			REV A	