

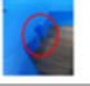



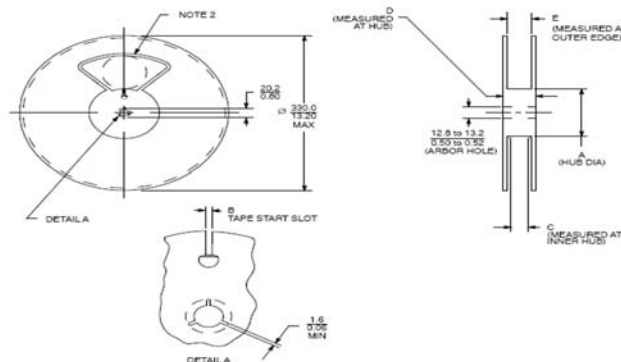


Title of Change:	Qualify 2nd supplier of plastic reel size diameter 7 inch (910080) and 13 inch (910020) from C-PAK to add Chien Pang supplier.	
Effective date:	28 May 2020	
Contact information:	Contact your local ON Semiconductor Sales Office or Benjawan.Sukthum@onsemi.com	
Type of notification:	This Product Bulletin is for notification purposes only. ON Semiconductor will proceed with implementation of this change upon publication of this Product Bulletin.	
Change Category:	Assembly Change, Test Change	
Change Sub-Category(s):	Shipping/Packaging/Marking	
Sites Affected:		
ON Semiconductor Sites	External Foundry/Subcon Sites	
None	HANA Semiconductor, Thailand	
Description and Purpose:		
<p>ON Semiconductor wishes to qualify new plastic reel supplier from C-PAK to Chien Pang.</p> <p>This applies to reel size 7 inches (part ID 910080) and 13 inches (part ID 910020).</p> <p>The purpose of this qualification was due to current C-PAK supplier based in Malaysia do not allow to operate.</p> <p>Malaysia government has announced movement control order (MCO) due to COVID19 virus and all non-essential factories were banned from running production.</p> <p>This has led to shortages of Reel supplier from C-PAK Malaysia and current reel inventory in HANA can only last for <1 month.</p> <p>All ON Semiconductor devices running at HANA using 7 inches reel with 8mm width and 13 inches reel with 8mm / 12mm width were impacted</p> <p>Current inventory</p> <p>7 inches reel (part ID 910080): 16k reel able to support up to 50M units</p> <p>13 inches reel (part ID 910020): 15k reel able to support up to 38M unit</p> <p>See Gap analysis as below :</p>		



Item	12MRH00360	Existing reel	New reel	Result compare	Action
Tape Size	8.0 (0.31)				
Reel Dia meter (Min)	178.0 (7.00)	178	180-181	Accept	
A mm (inches) Min	50.0 (1.97)	58 - 62	61.8-62	Accept	
B mm (inches) Min	4.0 (0.16)		4.8	Accept	To confirm the actual the drawing of both supplier didn't provide
B mm (inches) Max	5.0 (0.20)		5	Accept	
C mm (inches) Min	9	8.4	8.4	Accept	 
C mm (inches) Max	9.9 (0.39)	9.9	9.9	Accept	
D mm (inches) Max	14.4 (0.57)	14.4	14.4	Accept	
E mm (inches) Max	10.9 (0.43)	8.4-10.9	8.4-10.9	Accept	
Detail A diameter	20.2	20.2	20.2	Accept	
Detail A	1.6	1.5	1.5	Accept	
Item	12MRH00360	Existing reel	New reel	Result compare	
Tape Size	12.0 (0.47)				
Reel Dia meter	330.0 (12.99)	328-330	328-330	Accept	
A mm (inches) Min		98-102	98-102	Accept	
B mm (inches) Min	4.5 (0.18)		4.8	Accept	To confirm the actual the drawing of both supplier didn't provide
B mm (inches) Max	5.5 (0.22)		5	Accept	
C mm (inches) Min	12.4 (0.49)	12.4	12.4	Accept	 
C mm (inches) Max	14.4 (0.57)	14.4	14.4	Accept	
D mm (inches) Max	18.4 (0.72)	18.4	18.4	Accept	
E mm (inches) Max	15.4 (0.61)		15.4	Accept	
Detail A diameter	20.2	20.2	20.2	Accept	
Detail A	1.6	1.5	1.6	Accept	

9.3 Reel Dimensions



Reel Diameter	Tape Size	A		B		C		D (Max)	E (Max)
		mm (inches)	mm (inches)	mm (inches)	mm (inches)	mm (inches)	mm (inches)		
178.0 (7.01)	16.0 (0.63)		50.0 (1.97)	6.5 (0.26)	7.5 (0.30)	16.4 (0.65)	18.4 (0.72)	22.4 (18.47)	19.4 (0.76)
330.0 (12.99)	12.0 (0.47)	178.0 (7.01)		4.5 (0.18)	5.5 (0.22)	12.4 (0.49)	14.4 (0.57)	18.4 (0.72)	15.4 (0.61)
330.0 (12.99)	56.0 (2.20)	150.0 (5.91)		10.0 (0.39)	11.0 (0.43)	56.4 (2.22)	58.4 (2.30)	62.4 (2.46)	59.4 (2.34)
330.0 (12.99)	44.0 (1.73)	100.0 (3.94)		10.0 (0.39)	11.0 (0.43)	44.4 (1.75)	46.4 (1.83)	62.4 (2.46)	47.4 (1.87)
330.0 (12.99)	32.0 (1.26)	100.0 (3.94)		10.0 (0.39)	11.0 (0.43)	32.4 (1.28)	34.4 (1.35)	38.4 (1.51)	35.4 (1.39)
330.0 (12.99)	24.0 (0.94)	60.0 (2.36)		9.5 (0.37)	10.5 (0.41)	24.4 (0.96)	26.4 (1.04)	30.4 (1.51)	27.4 (1.08)
330.0 (12.99)	16.0 (0.63)			6.5 (0.26)	7.5 (0.30)	16.4 (0.65)	18.4 (0.72)	22.4 (0.88)	19.4 (0.76)
330.0 (12.99)	12.0 (0.47)			4.5 (0.18)	5.5 (0.22)	12.4 (0.49)	14.4 (0.57)	18.4 (0.72)	15.4 (0.61)
330.0 (12.99)	8.0 (0.31)	50.0 (1.97)		2.5 (0.10)	3.5 (0.14)	8.4 (0.33)	9.9 (0.39)	14.4 (0.57)	10.9 (0.43)
178.0 (7.01)	12.0 (0.47)	50.0 (1.97)		4.5 (0.18)	5.5 (0.22)	12.4 (0.49)	14.4 (0.57)	18.4 (0.72)	15.4 (0.61)
178.0 (7.00)	8.0 (0.31)	50.0 (1.97)		2.5 (0.10)	3.5 (0.14)	8.4 (0.33)	9.9 (0.39)	14.4 (0.57)	10.9 (0.43)
330.0 (12.99)	8.0 (0.31)	50.0 (1.97)		4.0 (0.16)	5.0 (0.20)	8.4 (0.33)	9.9 (0.39)	14.4 (0.57)	10.9 (0.43)
178.0 (7.00)	8.0 (0.31)	50.0 (1.97)		4.0 (0.16)	5.0 (0.20)	8.4 (0.33)	9.9 (0.39)	14.4 (0.57)	10.9 (0.43)

**List of Affected Standard Parts:**

Note: Only the standard (off the shelf) part numbers are listed in the parts list. Any custom parts affected by this PCN are shown in the customer specific PCN addendum in the PCN email notification, or on the [**PCN Customized Portal**](#).

FDS9431A-F085	FDS9958-F085	FDSS2407
FUSB302BVMPX	FUSB307BVMPX	HUFA76407DK8T-F085
HUFA76407DK8T-F085P	HUFA76413DK8T-F085	HUFA76413DK8T-F085P
FAN1100-F085	FAN1101A-F085	FAN1110-F085
FAN3121CMX-F085	FAN3121TMX-F085	FAN3122CMX-F085
FAN3122TMX-F085	FAN3213TMX-F085	FAN3214TMX-F085
FAN3216TMX-F085	FAN3217TMX-F085	FAN3223CMX-F085
FAN3223TMX-F085	FAN3224CMX-F085	FAN3224TMX-F085
FAN3224TUM1X-F085	FAN3224TUMX-F085	FAN3225CMX-F085
FAN3225TMX-F085	FAN3226CMX-F085	FAN3226TMX-F085
FAN3227CMX-F085	FAN3227TMX-F085	FAN3228CMX-F085
FAN3228TMX-F085	FAN3229CMX-F085	FAN3229TMX-F085
FAN3268TMX-F085	FAN7080MX-GF085	FAN7081MX-GF085
FAN7081MX-SN00035	FAN7083MX-GF085	FAN7085MX-GF085
FAN7171MX-F085	FAN7171MX-F085P	FAN7190MX-F085
FAN7191MX-F085	FDMC9430L-F085	FDS2672-F085
FDS4141-F085	FDS4435BZ-F085	FDS4465-F085
FDS4559-F085	FDS4675-F085	FDS6673BZ-F085
FDS6898AZ-F085	FDS8449-F085	FDS8949-F085
FDS8958A-F085	FDS8984-F085	

Japanese translation of the notification starts here.
通知の日本語訳はここから始まります。

Note: The Japanese version is for reference only. In case of any differences between the English and Japanese version, the English version shall control.

注：日本語版は参照用です。英語版と日本語版の違いがある場合は、英語版が優先されます。







製品速報

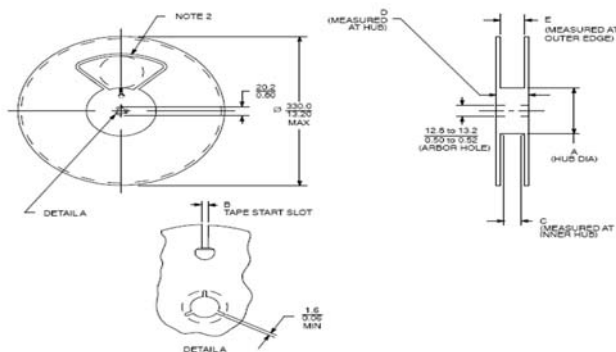
文書番号: PB23319Z

発行日: 28 May 2020

変更件名:	プラスチックリールサイズ直径 7 インチ(910080) および 13 インチ(910020) のセカンドサプライヤーとして、C-PAK に加えて Chien Pang の認定	
発効日:	28 May 2020	
連絡先情報:	現地のオン・セミコンダクター営業所または Benjawan.Sukthum@onsemi.com にお問い合わせください。	
通知種別:	本製品速報は通知目的のみのものです。オン・セミコンダクターは本製品速報の発行により本変更を実行します。	
変更カテゴリ:	アセンブリの変更, 検査の変更	
変更サブカテゴリ:	出荷/梱包/マーキング	
影響を受ける拠点:		
オン・セミコンダクター拠点:	外部製造工場 / 下請業者拠点:	
.なし	HANA Semiconductor, Thailand	
説明および目的:	<p>オン・セミコンダクターは、新しいプラスチックリールサプライヤーとして、C-PAK に加えて Chien Pang を認定します。</p> <p>本認定は、リールサイズ 7 インチ(部品 ID 910080) および 13 インチ(部品 ID 910020) に適用されます。</p> <p>本認定の目的は、マレーシアの現サプライヤーである C-PAK が操業できない状況にあることに対処することにあります。</p> <p>マレーシア政府は、新型コロナウイルス発生のため活動制限令 (MCO) を発表し、必要不可欠ではないすべての工場の稼働を禁止しました。</p> <p>これにより、C-PAK (マレーシア) からのリール供給が不足し、HANA における現在のリール在庫では 1 ヶ月もたない恐れが出てきました。</p> <p>HANA において 8mm 幅の 7 インチリールおよび 8mm / 12mm 幅の 13 インチリールを使用しているオン・セミコンダクターの全製品に影響が及びます。</p> <p>現在の在庫</p> <p>7 インチリール (部品 ID 910080): 16k リールで最大対応数: 5,000 万個</p> <p>13 インチリール (部品 ID 910020): 15k リールで最大対応数: 3,800 万個</p> <p>ギャップ分析は以下を参照願います。</p>	

Item	12MRH00360	Existing reel	New reel	Result compare	Action
Tape Size	8.0 (0.31)				
Reel Dia meter (Min)	178.0 (7.00)	178	180-181	Accept	
A mm (inches) Min	50.0 (1.97)	58 - 62	61.8-62	Accept	
B mm (inches) Min	4.0 (0.16)		4.8	Accept	To confirm the actual the drawing of both supplier didn't provide
B mm (inches) Max	5.0 (0.20)		5	Accept	
C mm (inches) Min	8	8.4	8.4	Accept	
C mm (inches) Max	9.9 (0.39)	9.9	9.9	Accept	
D mm (inches) Max	14.4 (0.57)	14.4	14.4	Accept	
E mm (inches) Max	10.9 (0.43)	8.4-10.9	8.4-10.9	Accept	
Detail A diameter	20.2	20.2	20.2	Accept	
Detail A	1.6	1.5	1.5	Accept	
					 
Item	12MRH00360	Existing reel	New reel	Result compare	Action
Tape Size	12.0 (0.47)				
Reel Dia meter	330.0 (12.99)	328-330	328-330	Accept	
A mm (inches) Min		98-102	98-102	Accept	
B mm (inches) Min	4.5 (0.18)		4.8	Accept	To confirm the actual the drawing of both supplier didn't provide
B mm (inches) Max	5.5 (0.22)		5	Accept	
C mm (inches) Min	12.4 (0.49)	12.4	12.4	Accept	
C mm (inches) Max	14.4 (0.57)	14.4	14.4	Accept	
D mm (inches) Max	18.4 (0.72)	18.4	18.4	Accept	
E mm (inches) Max	15.4 (0.61)		15.4	Accept	
Detail A diameter	20.2	20.2	20.2	Accept	
Detail A	1.6	1.5	1.6	Accept	
					 

9.3 Reel Dimensions



Reel Diameter	Tape Size	A mm (inches)		B mm (inches)		C mm (inches)		D (Max)	E (Max)
		Min	Max	Min	Max	Min	Max		
178.0 (7.01)	16.0 (0.63)		50.0 (1.97)	6.5 (0.26)	7.5 (0.30)	16.4 (0.65)	18.4 (0.72)	19.4 (0.76)	
330.0 (12.99)	12.0 (0.47)	178.0 (7.01)		4.5 (0.18)	5.5 (0.22)	12.4 (0.49)	14.4 (0.57)	15.4 (0.61)	
330.0 (12.99)	56.0 (2.20)	150.0 (5.91)		10.0 (0.39)	11.0 (0.43)	56.4 (2.22)	58.4 (2.30)	59.4 (2.34)	
330.0 (12.99)	44.0 (1.73)	100.0 (3.94)		10.0 (0.39)	11.0 (0.43)	44.4 (1.75)	46.4 (1.83)	47.4 (1.87)	
330.0 (12.99)	32.0 (1.26)	100.0 (3.94)		10.0 (0.39)	11.0 (0.43)	32.4 (1.28)	34.4 (1.35)	35.4 (1.39)	
330.0 (12.99)	24.0 (0.94)	60.0 (2.36)		9.5 (0.37)	10.5 (0.41)	24.4 (0.96)	26.4 (1.04)	27.4 (1.08)	
330.0 (12.99)	16.0 (0.63)			6.5 (0.26)	7.5 (0.30)	16.4 (0.65)	18.4 (0.72)	19.4 (0.76)	
330.0 (12.99)	12.0 (0.47)			4.5 (0.18)	5.5 (0.22)	12.4 (0.49)	14.4 (0.57)	15.4 (0.61)	
330.0 (12.99)	8.0 (0.31)	50.0 (1.97)		2.5 (0.10)	3.5 (0.14)	8.4 (0.33)	9.9 (0.39)	10.9 (0.43)	
178.0 (7.01)	12.0 (0.47)	50.0 (1.97)		4.5 (0.18)	5.5 (0.22)	12.4 (0.49)	14.4 (0.57)	15.4 (0.61)	
178.0 (7.00)	8.0 (0.31)	50.0 (1.97)		2.5 (0.10)	3.5 (0.14)	8.4 (0.33)	9.9 (0.39)	10.9 (0.43)	
330.0 (12.99)	8.0 (0.31)	50.0 (1.97)		4.0 (0.16)	5.0 (0.20)	8.4 (0.33)	9.9 (0.39)	10.9 (0.43)	
178.0 (7.00)	8.0 (0.31)	50.0 (1.97)		4.0 (0.16)	5.0 (0.20)	8.4 (0.33)	9.9 (0.39)	10.9 (0.43)	



影響を受ける部品の一覧:

注: 標準の部品番号(既製品)のみが部品一覧に記載されます。本 PCN に影響を受けるカスタム 部品は、PCN メールのお客様の特定の PCN の付属文書、または PCN カスタマイズポータルに記載されています。

FDS9431A-F085	FDS9958-F085	FDSS2407
FUSB302BVMPX	FUSB307BVMPX	HUFA76407DK8T-F085
HUFA76407DK8T-F085P	HUFA76413DK8T-F085	HUFA76413DK8T-F085P
FAN1100-F085	FAN1101A-F085	FAN1110-F085
FAN3121CMX-F085	FAN3121TMX-F085	FAN3122CMX-F085
FAN3122TMX-F085	FAN3123TMX-F085	FAN3124TMX-F085
FAN3216TMX-F085	FAN3217TMX-F085	FAN3223CMX-F085
FAN3223TMX-F085	FAN3224CMX-F085	FAN3224TMX-F085
FAN3224TUM1X-F085	FAN3224TUMX-F085	FAN3225CMX-F085
FAN3225TMX-F085	FAN3226CMX-F085	FAN3226TMX-F085
FAN3227CMX-F085	FAN3227TMX-F085	FAN3228CMX-F085
FAN3228TMX-F085	FAN3229CMX-F085	FAN3229TMX-F085
FAN3268TMX-F085	FAN7080MX-GF085	FAN7081MX-GF085
FAN7081MX-SN00035	FAN7083MX-GF085	FAN7085MX-GF085
FAN7171MX-F085	FAN7171MX-F085P	FAN7190MX-F085
FAN7191MX-F085	FDMC9430L-F085	FDS2672-F085
FDS4141-F085	FDS4435BZ-F085	FDS4465-F085
FDS4559-F085	FDS4675-F085	FDS6673BZ-F085
FDS6898AZ-F085	FDS8449-F085	FDS8949-F085
FDS8958A-F085	FDS8984-F085	