

**PLEASE CHECK WWW.MOLEX.COM FOR LATEST PART INFORMATION**

**Part Number:** [5013300700](#)  
**Status:** **Active**  
**Overview:** Pico-Clasp Wire-to-Board Connectors  
**Description:** 1.00mm Pitch Pico-Clasp Wire-to-Board Female Housing, Single Row, with Positive Lock, 7 Circuits

**Documents:**

<a href="#">3D Model</a>	<a href="#">Product Specification PS-501568-001-001 (PDF)</a>
<a href="#">Drawing (PDF)</a>	<a href="#">Product Specification PS-504449-001-001 (PDF)</a>
<a href="#">Product Specification 5013300000-PS-000 (PDF)</a>	<a href="#">Packaging Specification SPK-501330-001-001 (PDF)</a>
<a href="#">Product Specification 5013300000-PS-002 (PDF)</a>	<a href="#">RoHS Certificate of Compliance (PDF)</a>
<a href="#">Product Specification PS-501331-001-001 (PDF)</a>	

**General**

Product Family	Crimp Housings
Series	<a href="#">501330</a>
Application	Signal, Wire-to-Board
Overview	<a href="#">Pico-Clasp Wire-to-Board Connectors</a>
Product Name	Pico-Clasp
UPC	822348529582

**Physical**

Circuits (maximum)	7
Color - Resin	White
Gender	Receptacle
Glow-Wire Capable	No
Lock to Mating Part	Yes
Material - Resin	Nylon
Net Weight	69.300/mg
Number of Rows	1
Packaging Type	Bag
Panel Mount	No
Pitch - Mating Interface	1.00mm
Polarized to Mating Part	Yes
Stackable	No
Temperature Range - Operating	-40° to +105°C

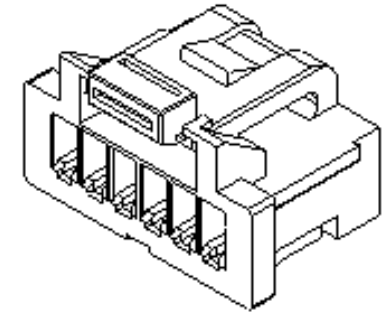
**Electrical**

Current - Maximum per Contact	1.0A
-------------------------------	------

**Material Info**

**Reference - Drawing Numbers**

Packaging Specification	SPK-501330-001-001
Product Specification	5013300000-PS-000, 5013300000-PS-002, PS-501331-001-001, PS-501568-001-001, PS-504449-001-001
Sales Drawing	5013300000-SD-000, SD-501330-002-001



*Series image - Reference only*

**EU ELV**

**Compliant**

**EU RoHS**

**Compliant**

**REACH SVHC**

Not Contained Per  
-ED/88/2018 (15  
January 2019)

**Halogen-Free**

**Status**

**Low-Halogen**

For more information, please visit [Contact US](#)

China ROHS

ELV

RoHS Phthalates

**China RoHS**

Green Image

Compliant

Not Contained

**Search Parts in this Series**

[501330 Series](#)

**Mates With**

[501331](#) , [203556](#) , [203557](#) Vertical PCB Header  
Header  
[501568](#) , [203558](#) , [203559](#)  
Right Angle PCB Header

**Use With**

[501334](#) Tin Crimp Terminal  
[501193](#)  
Gold Crimp Terminal