

# Black Anodised Linear Extrusion

## ILA-EXTRUSION-31-####x37

### Product Overview

ILS has a series of extruded Heatsinks to be used with our standard range of PowerLinear strips. These Heatsinks are designed to be used in conjunction with thermal interface material to fix the strip to the Heatsink and allow sufficient levels of heat taken away from the LEDs. This extrusion comes with a t-bar along the base of the extrusion, to enable easier installation.

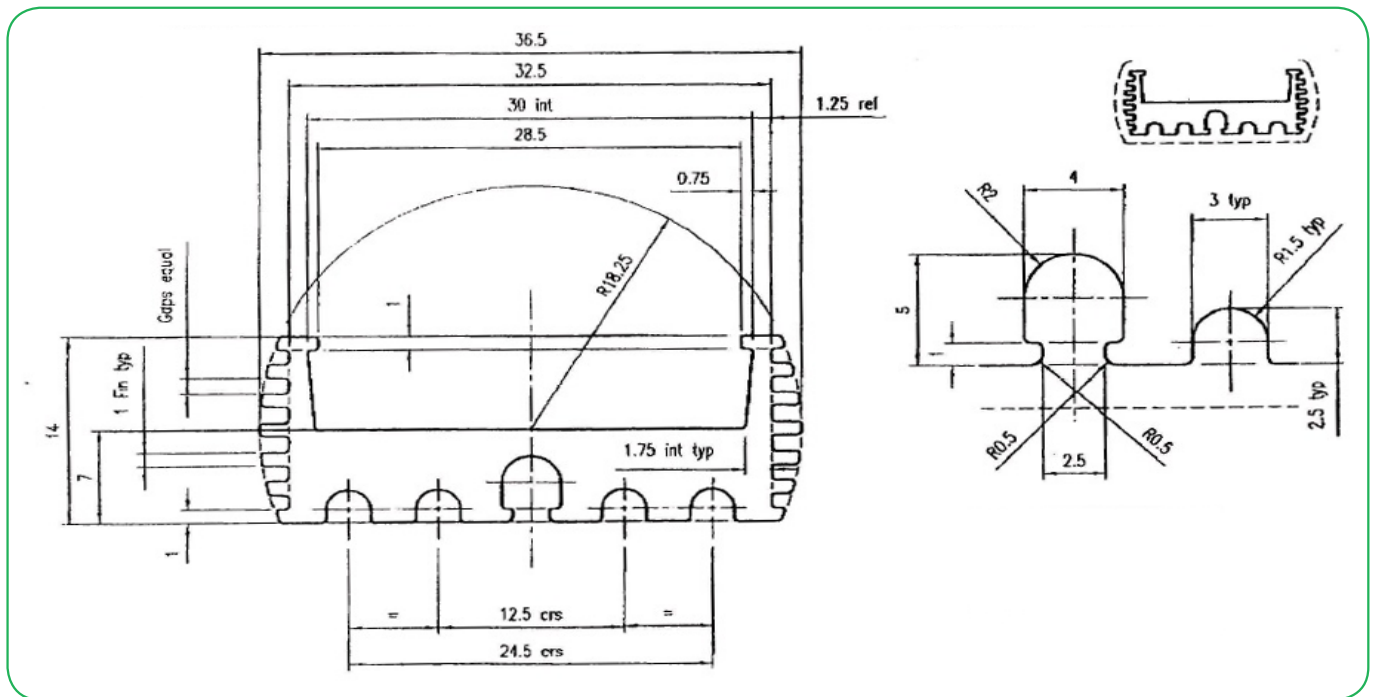


### Product Options

ILS Product		No Heatsink, in free air	ILA-EXTRUSION-31-0157X37	ILA-EXTRUSION-31-0314X37	ILA-EXTRUSION-31-0628X37	ILA-EXTRUSION-31-0942X37	ILA-EXTRUSION-31-1256X37	ILA-EXTRUSION-31-1570X37
OSLON 3 Strip	350mA			N/A	N/A	N/A	N/A	N/A
	700mA			N/A	N/A	N/A	N/A	N/A
	1000mA			N/A	N/A	N/A	N/A	N/A
OSLON 6 Strip	350mA		N/A		N/A	N/A	N/A	N/A
	700mA		N/A		N/A	N/A	N/A	N/A
	1000mA		N/A		N/A	N/A	N/A	N/A
OSLON 12 Strip	350mA		N/A	N/A		N/A	N/A	N/A
	700mA		N/A	N/A		N/A	N/A	N/A
	1000mA		N/A	N/A		N/A	N/A	N/A
OSLON 18 Strip	350mA		N/A	N/A	N/A		N/A	N/A
	700mA		N/A	N/A	N/A		N/A	N/A
	1000mA		N/A	N/A	N/A		N/A	N/A
OSLON 24 Strip	350mA		N/A	N/A	N/A	N/A		N/A
	700mA		N/A	N/A	N/A	N/A		N/A
	1000mA		N/A	N/A	N/A	N/A		N/A
OSLON 30 Strip	350mA		N/A	N/A	N/A	N/A	N/A	
	700mA		N/A	N/A	N/A	N/A	N/A	
	1000mA		N/A	N/A	N/A	N/A	N/A	

	Operates under the recommended ILS junction temperature
	Operates under the recommended LED maximum junction temperature
	Not suitable for use
N/A	Heatsink not designed for use with this product

Technical Drawing (mm)



Thermal Interface Material Options

ILS has a range of high-performance, cost effective Thermal Interface Materials to match perfectly their standard products. Our product fills the air pockets between the two surfaces, forming a continuous layer to conduct heat away from the LED to the Heatsink.

Product	Non Adhesive	Single Sided Adhesive	Double Sided Adhesive
1061x20mm Strip	ILA-TIM-STRIP-1061X20-0A	ILA-TIM-STRIP-1061X20-1A	ILA-TIM-STRIP-1061X20-2A
480x20mm Strip	ILA-TIM-STRIP-480X20-0A	ILA-TIM-STRIP-480X20-1A	ILA-TIM-STRIP-480X20-2A
300x20mm Strip	ILA-TIM-STRIP-300X20-0A	ILA-TIM-STRIP-300X20-1A	ILA-TIM-STRIP-300X20-2A

Other sizes are available, including customised parts.

For further information please contact ILS

The values contained in this data sheet can change due to technical innovations. Any such changes will be made without separate notification.