

IEC Appliance Inlet C14 with Line Switch 1- or 2-pole



Screw-on mounting



Snap-in mounting



KPF Filter Module  
(not enclosed)



See below:  
[Approvals and Compliances](#)

**Description**

- Panel mount :  
Sandwich/rear-side
- 2 Functions :  
Appliance Inlet Protection class I , Line Switch 1- and 2- pole
- For PCB mounting

**Characteristics**

- Panel mount from rear or "sandwich" between top and bottom/side to side panels  
PCB mount with snap-in or screw-on feet (self tapping screws Ø 3 x 8 mm)
- All single elements are already wired
- Line switch non-illuminated
- Insulation cover on the rear-side
- Suitable for use in equipment according to IEC/UL 62368-1

**Other versions on request**

- Solder terminals
- Quick-connect terminals
- Line switch, illuminated (only 2-pole version)
- Line switch with other rocker marking
- For protection class II

**References**

Alternative: version with line filter [KPF](#)  
 We recommend for new applications [DC21](#)

**Weblinks**

[pdf data sheet](#), [html datasheet](#), [General Product Information](#), [Approvals](#), [Distributor-Stock-Check](#), [Accessories](#), [Detailed request for product](#)

Newly available variants corresponding to V-Lock mating cordset. The connector is equipped with a notch intended for use with the latching cordset. The cord latching system prevents against accidental removal of the cordset.

**Technical Data**

Ratings IEC	10A / 250VAC; 50Hz
Ratings UL/CSA	15A / 250VAC; 60Hz
Dielectric Strength	> 2.3kVAC between L-N > 2.8kVAC between L/N-PE (1 min/50Hz)
Allowable Operation Temperature	-25 °C to 70 °C
IP-Protection	front side IP40 acc. to IEC 60529
Protection against electric shock	Suitable for appliances with protection class I acc. to IEC 61140
Terminal	For PCB mounting Quick connect terminals 4,8 x 0,8 mm Solder terminal on request
Panel Thickness S	Snap-in: 1.5/2/2.5/3 mm
Material: Housing	Thermoplastic, black, UL 94V-0

Appliance inlet/-outlet	C14 acc. to IEC 60320-1, UL 60320-1, CSA C22.2 no. 60320-1 (for cold conditions) pin-temperature 70 °C, 10A, Protection Class I
Line Switch	Rocker switch 1-/2-pole, non-illuminated, acc. to IEC 61058-1 <a href="#">Technical Details</a>

**Approvals and Compliances**




Detailed information on product approvals, code requirements, usage instructions and detailed test conditions can be looked up in [Details about Approvals](#)

SCHURTER products are designed for use in industrial environments. They have approvals from independent testing bodies according to national and international standards. Products with specific characteristics and requirements such as required in the automotive sector according to IATF 16949, medical technology according to ISO 13485 or in the aerospace industry can be offered exclusively with customer-specific, individual agreements by SCHURTER.

## Approvals





The approval mark is used by the testing authorities to certify compliance with the safety requirements placed on electronic products.

Approval Reference Type: KP01

Approval Logo	Certificates	Certification Body	Description
	<a href="#">VDE Approvals</a>	VDE	Certificate Number: 40029369
	<a href="#">UL Approvals</a>	UL	UR File Number: E96454
	<a href="#">CCC Approvals</a>	CCC	CCC Certificate Number: 2019180204009410/2019180204010438

## Product standards

Product standards that are referenced

Organization	Design	Standard	Description
	Designed according to	IEC 60320-1	Appliance couplers for household and similar general purposes
	Designed according to	IEC 61058-1	Switches for appliances. Part 1. General requirements
	Designed according to	UL 60320-1	Standard for Attachment Plugs and Receptacles
	Designed according to	CSA C22.2 no. 60320-1	General Use Receptacles, Attachment Plugs, and Similar Wiring Devices







## Application standards

Application standards where the product can be used

Organization	Design	Standard	Description
	Designed for applications acc.	IEC/UL 62368-1	Audio/video, information and communication technology equipment - Part 1: Safety requirements

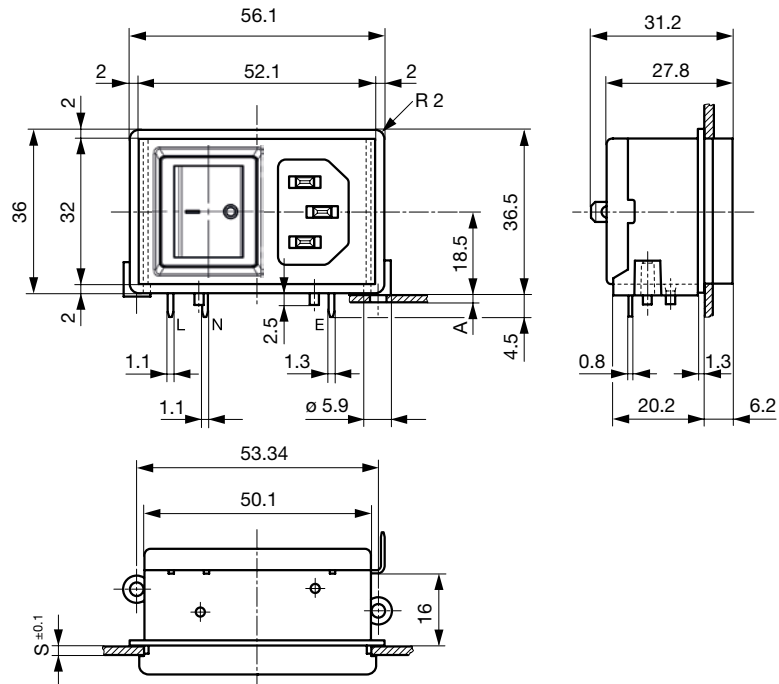
## Compliances

The product complies with following Guide Lines

Identification	Details	Initiator	Description
	<a href="#">CE declaration of conformity</a>	SCHURTER AG	The CE marking declares that the product complies with the applicable requirements laid down in the harmonisation of Community legislation on its affixing in accordance with EU Regulation 765/2008.
	<a href="#">UKCA declaration of conformity</a>	SCHURTER AG	The UKCA marking declares that the product complies with the applicable requirements laid down in the British Amendment of Regulation (EC) 765/2008.
	<a href="#">RoHS</a>	SCHURTER AG	Directive RoHS 2011/65/EU, Amendment (EU) 2015/863
	<a href="#">China RoHS</a>	SCHURTER AG	The law SJ / T 11363-2006 (China RoHS) has been in force since 1 March 2007. It is similar to the EU directive RoHS.
	<a href="#">REACH</a>	SCHURTER AG	On 1 June 2007, Regulation (EC) No 1907/2006 on the Registration, Evaluation, Authorization and Restriction of Chemicals 1 (abbreviated as "REACH") entered into force.
		SCHURTER AG	V-Lock system are based on a matching plug-dose combination. The connector is equipped with a notch intended for use with the latching cordset. The cord latching system prevents against accidental removal of the cordset.

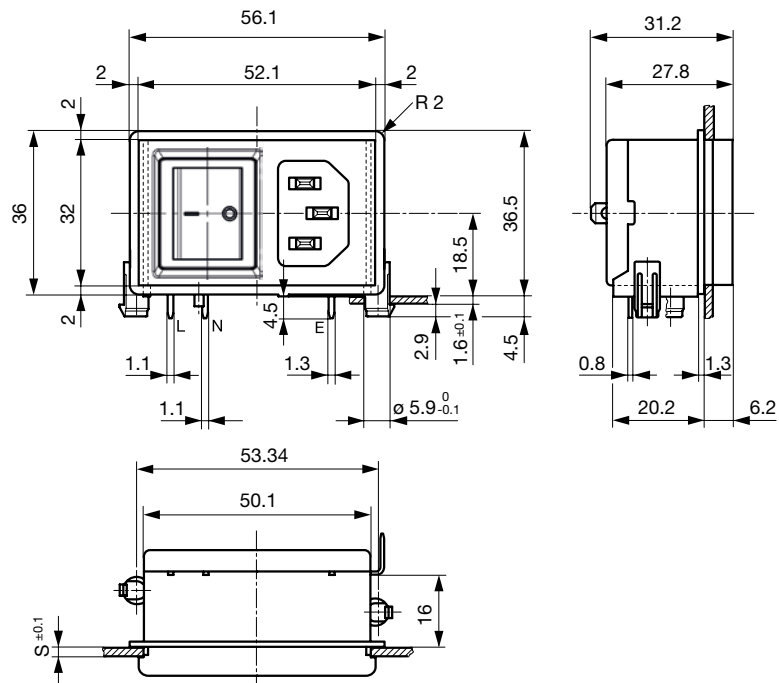
**Dimensions [mm]**

Screw-on mounting



A = for PCB-thickness 1.2/1.6/2.0/2.4 mm  
 Additional quick connect terminal 4.8 x 0.8 mm

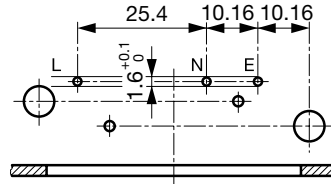
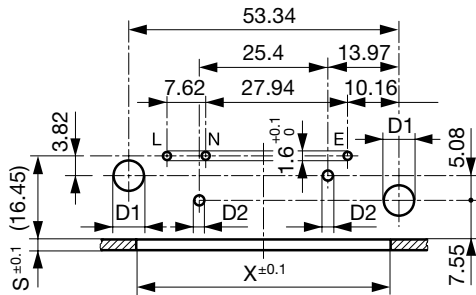
Snap-in mounting



Additional quick connect terminal 4.8 x 0.8 mm  
 s = panel thickness

For 2-pole inlet/switch, 2-pole inlet fuseholder and inlet/outlet

For combinations  
 Inlet/switch 1-pole, inlet/fuseholder 1-pole

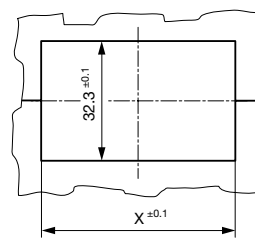
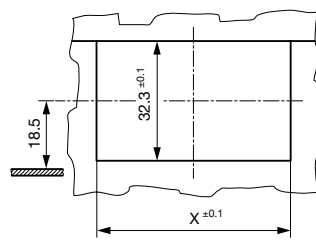
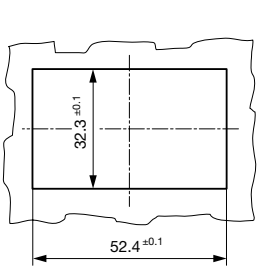


d1 = 6 ± 0.05 für (snap-in)  
 d1 = 3.6 (screw-on)  
 d2 = 2.1 + 0.1/-0 (screw-on)  
 Dimensions without tolerance: ≤ 15 = ± 0.05, ≥ 15 = ± 0,1

S and X see mounting holes

Mounting holes for backside mounting Sandwich mounting holes

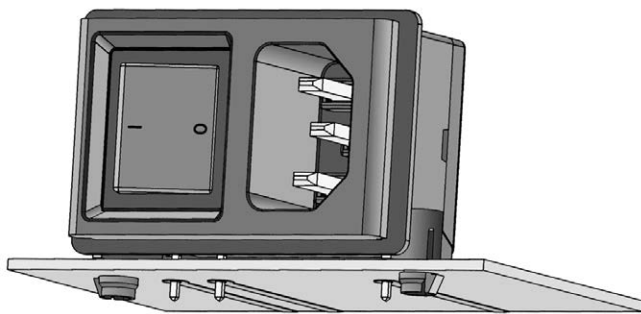
Sandwich mounting holes



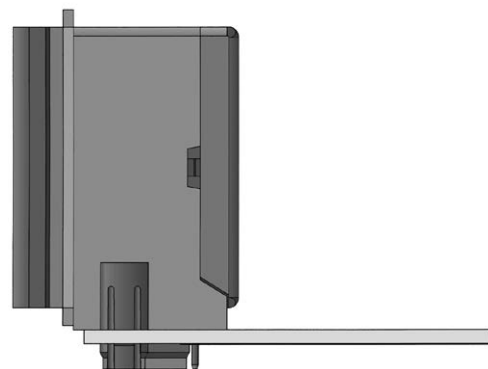
X = 48.4 at S = 1.5 and 2.5  
 X = 50.4 at S = 2.0 and 3.0

X = 48.4 at S = 1.5 and 2.5  
 X = 50.4 at S = 2.0 and 3.0

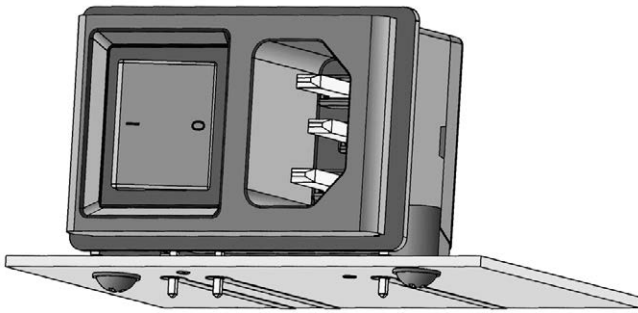
## Assembly Instructions



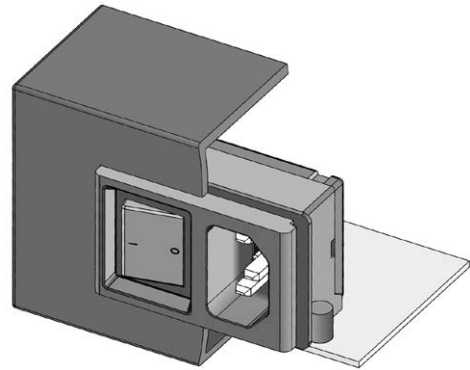
Stable snap feet requires minimal insertion force



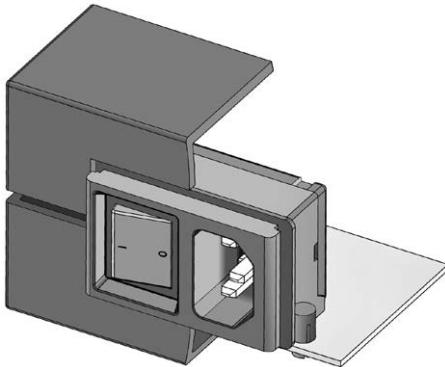
Module must lay flat on the PCB when soldering



Screw-on mount  
uses self-tapping screws

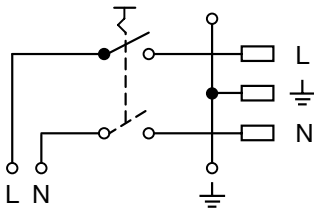


Insertion from behind



"Sandwich" mounting with split enclosure panels

## Diagrams



Inlet with line switch

## All Variants

Panel mounting	Panel Thickness s [mm]	PCB [mm]	Line Switch	Fuseholder	Connector	V-Lock	Order Number
Snap-in	2	1.6	1-pole	-	-		KP01.1212.11
Snap-in	2	1.6	2-pole	-	-		KP01.1112.11
Snap-in	3	1.6	1-pole	-	-		KP01.1213.11
Snap-in	3	1.6	2-pole	-	-		KP01.1113.11
Screw	2	1.2/1.6/2.0/2.4	1-pole	-	-		KP01.1252.11
Screw	2	1.2/1.6/2.0/2.4	2-pole	-	-		KP01.1152.11
Screw	3	1.2/1.6/2.0/2.4	1-pole	-	-		KP01.1253.11
Screw	3	1.2/1.6/2.0/2.4	2-pole	-	-		KP01.1153.11

Most Popular.

Availability for all products can be searched real-time: <https://www.schurter.com/en/Stock-Check/Stock-Check-SCHURTER>

Type KP without cover: KP01.XXXX.XX90

Ground Terminal with solder pin: KP01.XXXX.X3XX

## Packaging unit

50 Pcs

## Mating Outlets/Connectors

### Category / Description

#### Appliance Outlet Overview complete



4787, Mounting: Screw-on mounting, Appliance Outlet: IEC Solder terminals, 10 A, Suitable for appliances with protection class I	4787
4788, Mounting: Snap-in version, Appliance Outlet: IEC Solder / Quick Connect, 10 A, Suitable for appliances with protection class I	4788
IEC Appliance Outlet F or H, Screw-on Mounting, Front Side, Solder, PCB or Quick-connect Terminal	5091

#### Connector Overview complete



4782 Mounting: Power Cord, 3 x 1 mm <sup>2</sup> / 3 x 18 AWG, Cable, Connector: IEC C13	4782
4785 Mounting: Power Cord, 3 x 1 mm <sup>2</sup> / 3 x 18 AWG, Cable, Connector: IEC C13	4785
4300-06 Mounting: Power Cord, 3 x 1 mm <sup>2</sup> / 3 x 18 AWG, Cable, Connector: IEC C13	4300-06
4781 Mounting: Power Cord, Cable, Connector: IEC C15	4781
4784 Mounting: Power Cord, 3 x 1 mm <sup>2</sup> / 3 x 18 AWG, Cable, Connector: IEC C15	4784

...

## Mating Outlets/Connectors shuttered



#### Connector Overview complete

4783 Mounting: Power Cord, 3 x 1 mm <sup>2</sup> / 3 x 18 AWG, Cable, Connector: IEC C13	4783
--	------



#### Power Cord Overview complete

VAC13KS, Overview, V-Lock cord retaining, diverse Connector IEC C13, diverse, black	VAC13KS
---	---------