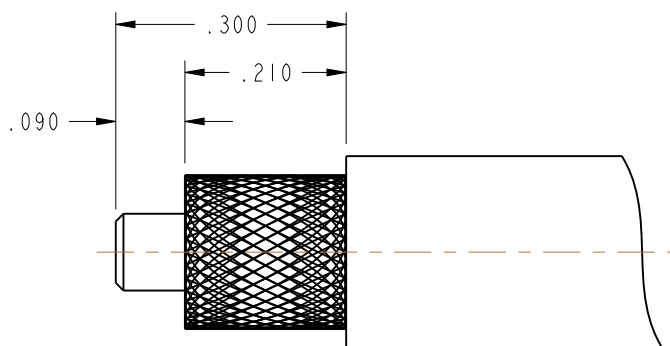


NOTES:

1. MATERIALS AND FINISHES:
 BODY - BRASS, NICKEL PLATING
 CONTACT - BRASS, GOLD PLATING
 C NUT, WASHER, CLAMP - BRASS, NICKEL PLATING
 INSULATOR - PTFE
2. ELECTRICAL:
 A. IMPEDANCE: 50 OHM
 D. DIELECTRIC WITHSTANDING VOLTAGE: 500 VRMS, MIN.
3. MECHANICAL:
 A. DURABILITY: 500 CYCLES MIN.
 B. TEMPERATURE RANGE: -65° C TO +165° C
4. PACKAGING:
 A. QUANTITY: SINGLE PACK
 B. MARKING: BAG TO BE MARKED
 "AMPHENOLRF, 31-3302, AND DATE CODE"

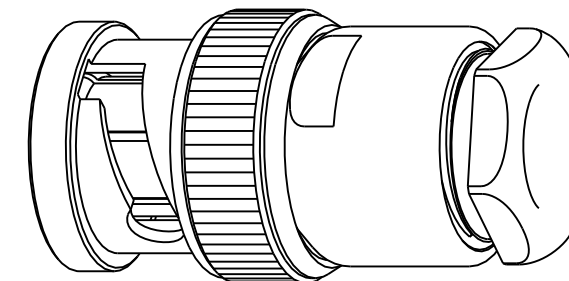
5 SHOWS CABLE ENTRY DIMENSIONS

31-3302		REVISIONS			
DRAWING NO.	REV	DESCRIPTION	DATE	ECO	APPR
THIRD ANGLE PROJ.	A	RELEASE TO MFG.	--	--	--
	W	REDRAWN TO PRO-E & ADD COD	12/6/10	47746	NMV
	Y	ADD STAMPING	7/22/11	48642	CPM



SCALE 4.000

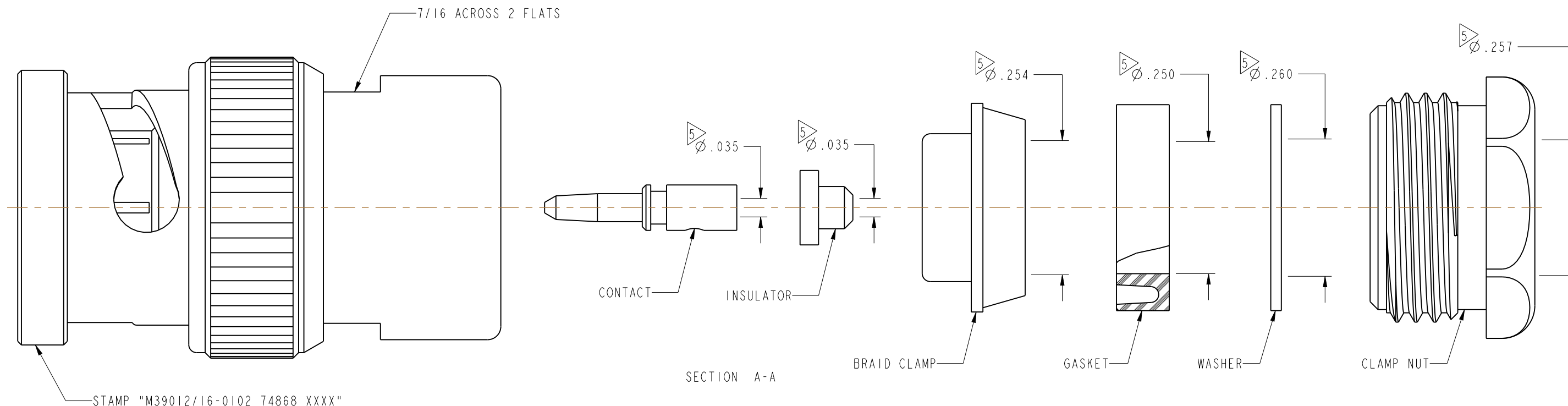
RECOMMENDED CABLE STRIPPING DIMENSIONS



SCALE 2.500

THIS CONNECTOR IS COVERED BY U.S. PATENT 3,439,249

MIL-C-39012 INSPECTION



CUSTOMER OUTLINE DRAWING

ALL OTHER SHEETS ARE FOR INTERNAL USE ONLY

UNLESS OTHERWISE SPECIFIED, DIMENSIONS ARE IN INCHES AND TOLERANCES ARE: 2 PLACE DECIMAL ±.015 (0,381 mm) 3 PLACE DECIMAL ±.005 (0,127 mm) ANGLES ± 1°	MATERIAL SEE NOTES	DRAWN NISCHIT MV	DATE 05-Oct-09	TITLE BNC PLUG UG-CLAMP (CATEGORY-A)	Amphenol RF Danbury, CT, USA Tainan, Taiwan Shenzhen, China www.amphenolrf.com		
	REFERENCE MIL-C-39012/16-0102	ENGINEER D ROYCE	DATE 12-Apr-09				
NOTICE - These drawings, specifications, or other data (1) are, and remain the property of Amphenol Corp. (2) must be returned upon request; and (3) are confidential and not to be disclosed to any person other than those to whom they are given by Amphenol Corp. The furnishing of these drawings, specifications, or other data by Amphenol Corp., or to any other person to anyone for any purpose is not to be regarded by implication or otherwise in any manner licensing, granting rights or permitting such holder or any other person to manufacture, use or sell any product, process or design, patented or otherwise, that may in any way be related to or disclosed by said drawings, specifications, or other data.	APPROVED K. CAPOZZI	DATE 11/18/10	CAD FILE	CODE ID 74868	DWG SIZE B	DRAWING NO. 31-3302	REV Y
			SCALE: 5.0:1	SHEET 2 OF 2			