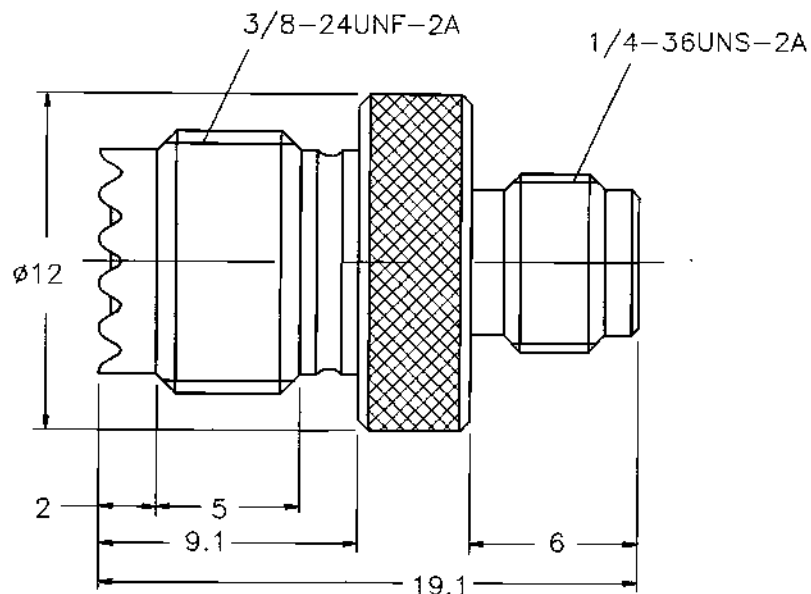



REV.	DATE	DESCRIPTION
NC	4/1/97	INITIAL RELEASE



DESCRIPTION	MATERIAL	FINISH	DIMENSIONS ARE IN MILLIMETERS UNLESS OTHERWISE SPECIFIED TOLERANCES ARE:	APPROVALS		DATE							
				DRAWN	CHECKED	ISSUED						SIZE	FSC# NO.
1 BODY	BRASS	NICKEL	0.5-6 = ± 0.2	G.R.S.		4/1/97							
2 CONTACT PIN	PHOS. BRONZE	GOLD	6-30 = ± 0.4										
3 INSULATOR	TEFLON	NATURAL	30-120 = ± 0.6										
4			120-315 = ± 1										
5			315-1000 = ± 1.6										
6			1000-2000 = ± 2.4										
7													
8			DO NOT SCALE DRAWING										

TITLE			
SMA FEMALE TO MINI-UHF FEMALE ADAPTOR			
SIZE	FSC# NO.	DWG. NO.	REV.
A	99001	242119.DWG	NC
SCALE	PART NO.	SHEET	
4:1	242119	1 OF 1	