

323030 ✓ ACTIVE

SOLISTRAND

TE Internal #: 323030

Splices, Splice, Splice, 22 – 16AWG Wire Size, .3 – 1.42mm<sup>2</sup> Wire Size, Standard, Barrel Inside Diameter .065 in [1.65 mm], 509 – 3260CMA Wire Size

[View on TE.com >](#)



Terminals & Splices > Splices



Splice Product Type: **Splice**

Terminal & Splice Type: **Splice**

Wire Size: **.3 – 1.42 mm<sup>2</sup>**

Sealable: **No**

**Features**

**Product Type Features**

Splice Product Type	Splice
Sealable	No
Splice Type	Parallel Splice
Serrated	Yes
Splice Accessory Type	Splice
Splice Barrel Type	Closed Barrel
Splice Wire/Cable Type	Copper
Insulated	No
Support Style	Non - Insulation Support

**Body Features**

Weight per Piece	.014 g
Plating Material	Nickel
Splice Features	Standard
Splice Material	Copper

**Contact Features**

	300 µin
Contact Plating Material	Nickel
Terminal & Splice Type	Splice

#### Mechanical Attachment

Wire Insulation Support	Without
-------------------------	---------

#### Dimensions

Outside Diameter	3.58 mm[.141 in]
Wire Size	509 – 3260 CMA
Barrel Inside Diameter	1.65 mm[.065 in]
Splice Material Thickness	.79 mm[.031 in]
Splice Overall Length	7.65 mm[.301 in]

#### Usage Conditions

Insulation Requirement	Uninsulated
High Temperature Rating	343 °C[650 °F]
Operating Temperature Range	343 °C[650 °F]

#### Operation/Application

Heavy Duty	No
------------	----

#### Industry Standards

Government Qualified Splice	No
-----------------------------	----

#### Packaging Features

Packaging Quantity	1000
Splice Packaging Method	Loose Piece

#### Other

Military Category	No
-------------------	----

#### Product Compliance

[For compliance documentation, visit the product page on TE.com>](#)

EU RoHS Directive 2011/65/EU	Compliant
EU ELV Directive 2000/53/EC	Compliant
China RoHS 2 Directive MIIT Order No 32, 2016	No Restricted Materials Above Threshold
EU REACH Regulation (EC) No. 1907/2006	Current ECHA Candidate List: JAN 2021 (211)



Candidate List Declared Against: JAN 2021 (211)

Does not contain REACH SVHC

Halogen Content	Low Halogen - Br, Cl, F, I < 900 ppm per homogenous material. Also BFR/CFR/PVC Free
Solder Process Capability	Not applicable for solder process capability

Product Compliance Disclaimer


This information is provided based on reasonable inquiry of our suppliers and represents our current actual knowledge based on the information they provided. This information is subject to change. The part numbers that TE has identified as EU RoHS compliant have a maximum concentration of 0.1% by weight in homogenous materials for lead, hexavalent chromium, mercury, PBB, PBDE, DBP, BBP, DEHP, DIBP, and 0.01% for cadmium, or qualify for an exemption to these limits as defined in the Annexes of Directive 2011/65/EU (RoHS2). Finished electrical and electronic equipment products will be CE marked as required by Directive 2011/65/EU. Components may not be CE marked. Additionally, the part numbers that TE has identified as EU ELV compliant have a maximum concentration of 0.1% by weight in homogenous materials for lead, hexavalent chromium, and mercury, and 0.01% for cadmium, or qualify for an exemption to these limits as defined in the Annexes of Directive 2000/53/EC (ELV). Regarding the REACH Regulation, the information TE provides on SVHC in articles for this part number is based on the latest European Chemicals Agency (ECHA) 'Guidance on requirements for substances in articles' posted at this URL: <https://echa.europa.eu/guidance-documents/guidance-on-reach>

### Compatible Parts



REPRESENTATION ONLY

TE Part # 46447  
DAHT STRATO 22-10 ASSY



TE Part # 69322-1  
HHHT ALUMINIUM SEAL RINGS 12-10 ASSY

### Customers Also Bought



TE Part # 1630024-2  
Power Resistors: Aluminum Housed, HSA



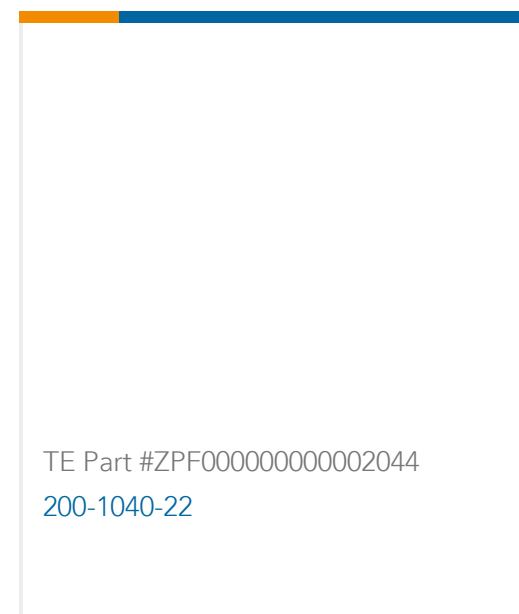
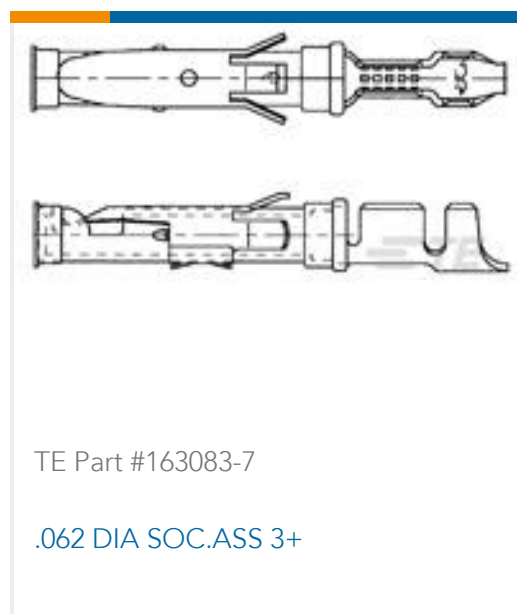
TE Part # 1544425-2  
CTS 254 BRONZE ETA



TE Part # 1577633-1  
TERMINAL RT PIDG PEEK STRATO 18-16 AWG



TE Part # 2192653002  
FLHTC0311-26-9



## Documents

### Product Drawings

[SPLICE,SOLIS PARA HR 22-16](#)

English

### CAD Files

[3D PDF](#)

English

**Customer View Model**

[ENG\\_CVM\\_323030\\_D.3d\\_igs.zip](#)

English

**Customer View Model**

[ENG\\_CVM\\_323030\\_D.3d\\_stp.zip](#)

English

**Customer View Model**

[ENG\\_CVM\\_323030\\_D.2d\\_dxf.zip](#)

English

By downloading the CAD file I accept and agree to the [Terms and Conditions](#) of use.

### Datasheets & Catalog Pages

[STRATO-THERM Terminals & Splices for High Temperature Applications](#)

English

### Product Specifications

[Application Specification](#)

English

### Product Environmental Compliance

[TE Material Declaration](#)

323030

Splices, Splice, Splice, 22 – 16AWG Wire Size, .3 – 1.42mm<sup>2</sup> Wire Size, Standard,  
Barrel Inside Diameter .065 in [1.65 mm], 509 – 3260CMA Wire Size



English