

FEATURES

- Robust, with excellent anti-corrosive properties
- Ideal for the food, pharmaceutical and other 'clean' industries
- Vibrated and Chrome treated
- Made of high-quality Stainless Steel 304
- Riveted Pin

RS PRO Stainless Steel Butt Hinge, 38mm x 40mm x 2mm

RS Stock No.: 749-1706



RS Professionally Approved Products bring to you professional quality parts across all product categories. Our product range has been tested by engineers and provides a comparable quality to the leading brands without paying a premium price.

Product Description

These high-quality steel hinges are made of Stainless Steel 304 that guarantees an enhanced durability and rust resistance. Hinges are available in a variety of sizes and shapes.

General Specifications

Material	Stainless Steel 304
Hinges Type	Butt
Closing Type	Free Swinging
Fixing Method	Screws
Pin Style	Fix Pin
Finish	Electro Polished
Applications	Food, pharmaceutical and other 'clean' industries

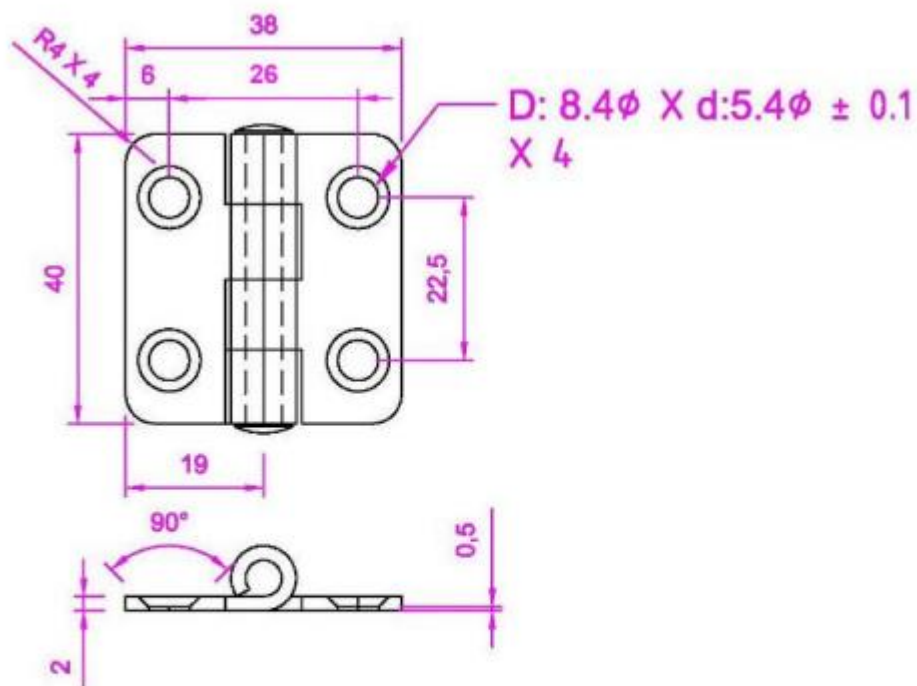
Mechanical Specifications

Length	38mm
Width	40mm
Thickness	2mm





Dimensional line drawings



MATERIAL : STAINLESS STEEL 304
TREATMENT : ELECTROLYZED & POLISHED
TOLERANCE : ±0.3 m/m