

PART NO. DESIGNATION

PTE7300 - 11 A M - 1 B 400 B N .810 A

SENSATA INTERNAL CODE

PRESSURE PORT

G1/4A DIN 3852-EA

1/4-19 PT (1/4-19 BSPT),(R1/4).....B

7/16-20 UNF SAE J1926-2.....C

1/4-18 NPTD

ELECTRICAL CONNECTOR
(DETAILS SEE PAGE 2)

M12 5-PIN GLASS-TO-METAL-SEAL.....M
5X1 2mm PITCH PIN HEADER (MODULE)..N

EXTERNAL SEAL RING

NONE.....0

FKM (VITON) SEAL RING.....1
ONLY FOR PRESSURE PORT OPTION A

HNBR SEAL RING.....2
ONLY FOR PRESSURE PORT OPTION C

OUTPUT/INPUT

I2C (CRC PROTECTED) / 3.3...5VDC.....B

MOQ

A.....MOQ500pcs

B.....MOQ50pcs

SNUBBER

N.....NONE SNUBBER

S.....SNUBBER WITH Ø 0.5mm DAMPING HOLE

PRESSURE TYPE

S.....SEALED GAUGE, WITH GTMS PACKAGE

B.....GAUGE, WITH MODULE PACAKGE

PRESSURE RANGE

016.....0...16bar

050.....0...50bar

060.....0...60bar

100.....0...100bar

160.....0...160bar

200.....0...200bar

250.....0...250bar

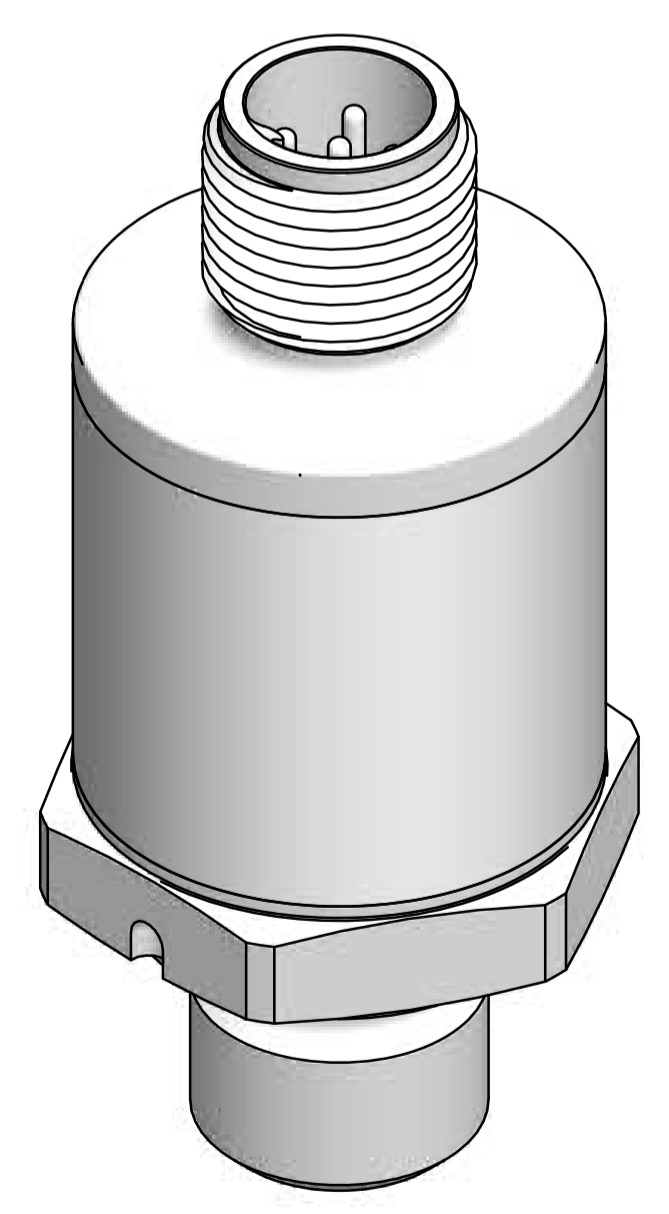
350.....0...350bar

400.....0...400bar

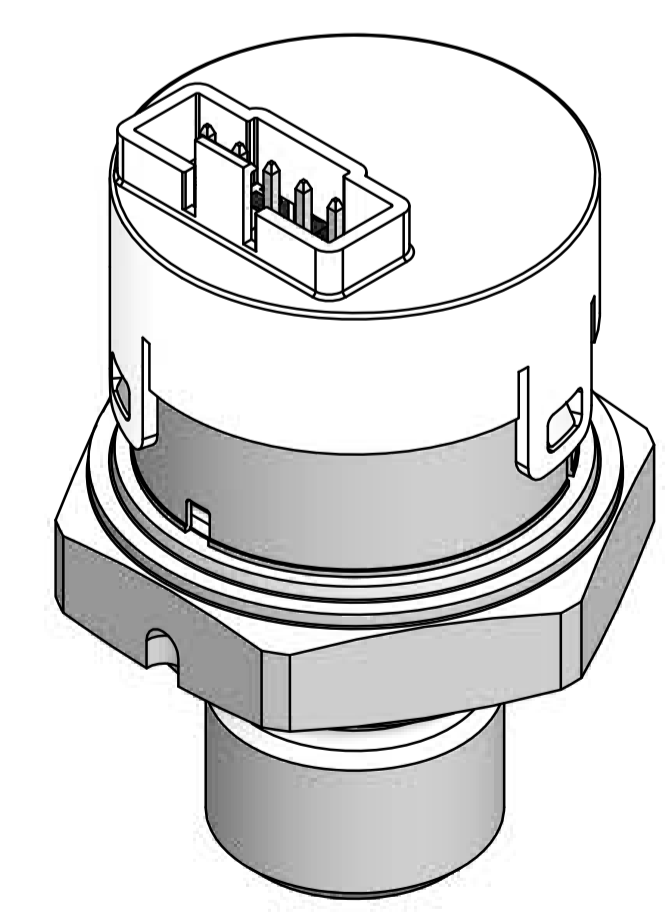
500.....0...500bar*

600.....0...600bar*

(*FOR GTMS PACKAGE ONLY)



**GLASS-TO-METAL-SEAL PACKAGE
MODEL SHOWN**



**OEM MODULE
MODEL SHOWN**

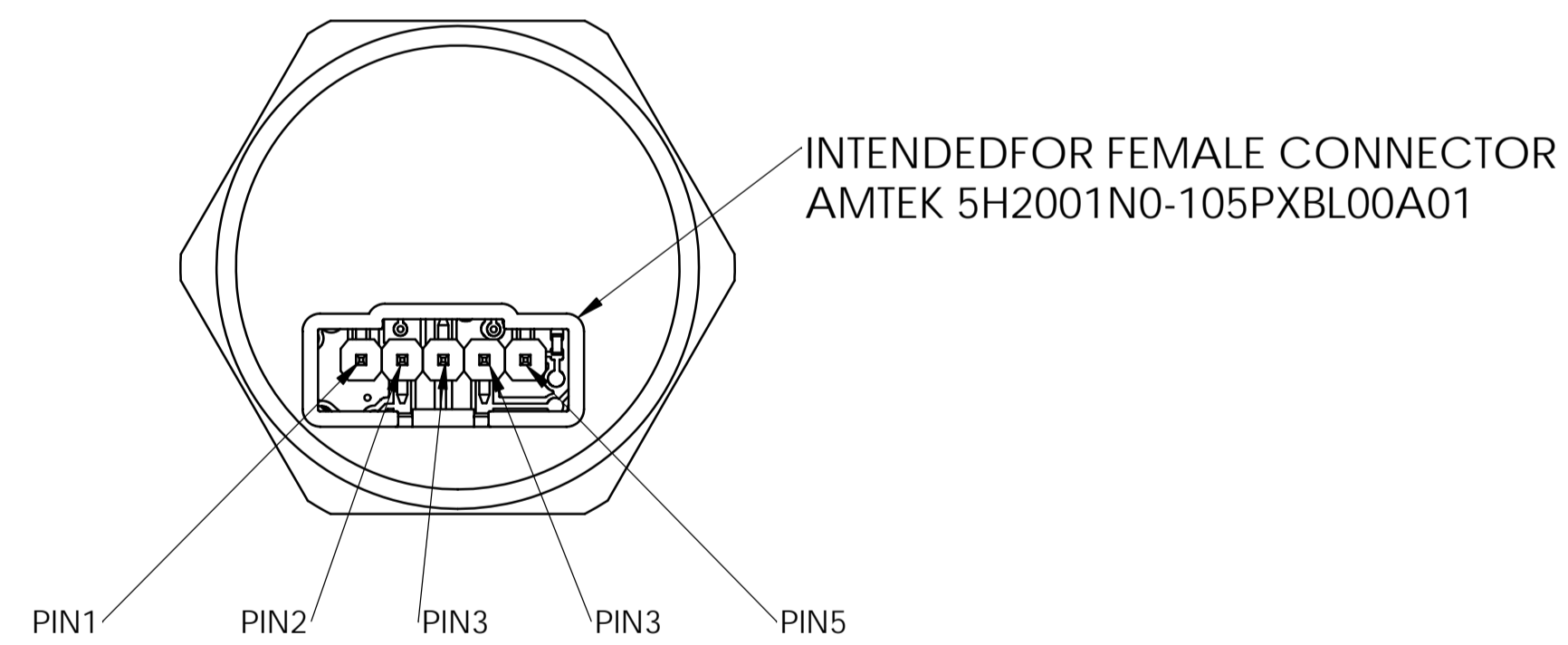
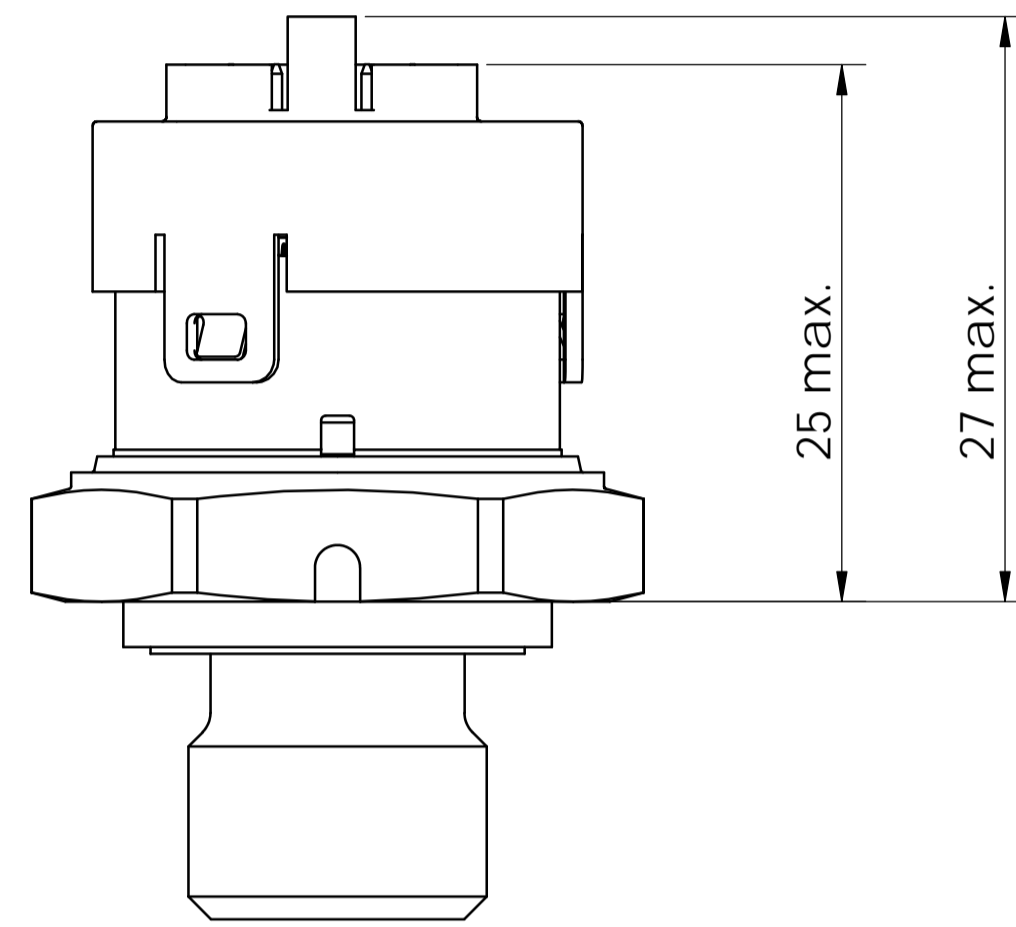
Pressure range													
from 0 to ...	bar	16	50	60	100	160	200	250	350	400	500*	600*	...
Proof pressure	bar	50	200	200	200	500	500	500	800	800	1200	1200	...
Burst pressure	bar	100	2000	2000	2000	2500	2500	2500	4000	4000	4000	4000	...
*Pressure range limitation	For sealed gauge (GTMS sensor fully hermetic) only												
Electrical													
Operating supply voltage	3.3VDC to 5VDC												
Operating current in sleep mode	6.5uA (Typical)												
Operating current in active mode	3.7mA (Typical, 4mA max.)												
Device address	0xDA for I2C with CRC, 0x6C for I2C without CRC												
Probe configurations	Continuous												
Digital output resolution	15-bit @ Default setting												
Digital output at zero pressure	-16000												
Digital output at FS pressure	+16000												
Response time	< 1ms @ Default setting and active mode												
Temperature													
Operating	-40°C to +100°C												
Medium	-40°C to +125°C												
Storage	-40°C to +125°C												
Accuracy													
Basic Accuracy*	± 0.5% FS @ 25°C												
BFSL Accuracy*	± 0.25% FS @ 25°C												
Non-linearity*	± 0.2% FS												
Non-repeatability	± 0.1% FS												
Total error band	± 1.5% FS @ -20°C to 85°C												
*Basic Accuracy	Including non-linearity, hysteresis, zero and span error (corresponds to measured error per IEC 61298-2).												
*Accuracy spec	Including non-linearity, hysteresis and non-repeatability, excluding zero and span error (corresponds to the smart options per IEC 60770-1, the instrument is equipped with facilities for offset and span adjustment).												
*Non-linearity spec	BFSL (best-fit-straight-line) according to IEC 61298-2												
Conformity													
RoHS & REACH	YES												
CE	According to EMC Directive 2014/30/EU, EN 61326 Emission and Immunity (industrial locations), tested with GTMS package only (If applicable, the customer shall verify if the pressure module is compliant to the CE EMC directive: 2014/30/EU in the customer's application)												
Vibration resistance	30g (sine) min. for GTMS package and 20g (sine) min. for module according to IEC 60068-2-6												
Shock resistance	500g min. according to IEC 60068-2-27, tested with GTMS package only												
Durability	> 10 X 10 ⁶ cycles 0...100%FS @25°C												
Ingress protection per IEC 60 529	IP69K for GTMS fully assembly sensor with qualified counter connector												
Media compatibility	All class II fluid and gases compatible with port material stainless steel 17-4PH (1.4542)												

ALL RIGHT RESERVED		NEITHER THIS PRINT NOR THE INFORMATION CONTAINED HEREON IS TO BE USED AGAINST THE INTERESTS OF SENSATA TECHNOLOGIES OR AGAINST THE INTERESTS OF ANY OF ITS AFFILIATED COMPANIES OR WHOLLY OWNED SUBSIDIARIES.				18 CHUANGXIN ROAD XINBEI DISTRICT CHANGZHOU CHINA	
DRAWN	A. LIU	INTERPRET DIMENSIONING AND TOLERANCING PER ASME Y14.5-2009, UNLESS OTHERWISE SPECIFIED DIMENSIONS ARE IN MILLIMETERS.		TITLE		PRESSURE TRANSDUCER	
DATE	18-JUN-2020	TOLERANCES		SIZE		NUMBER	
ENGINEER	W. XU	LINEAR		A1		PTE7300-TAB-ENV	
DATE	18-JUN-2020	ANGULAR		REV		D	
APPROVED	CX. HU	METHOD		SCALE		SHEET	
DATE	18-JUN-2020	DO NOT SCALE DRAWING		2:1		1 OF 3	

BUILT IN ELECTRICAL CONNECTOR OPTIONS

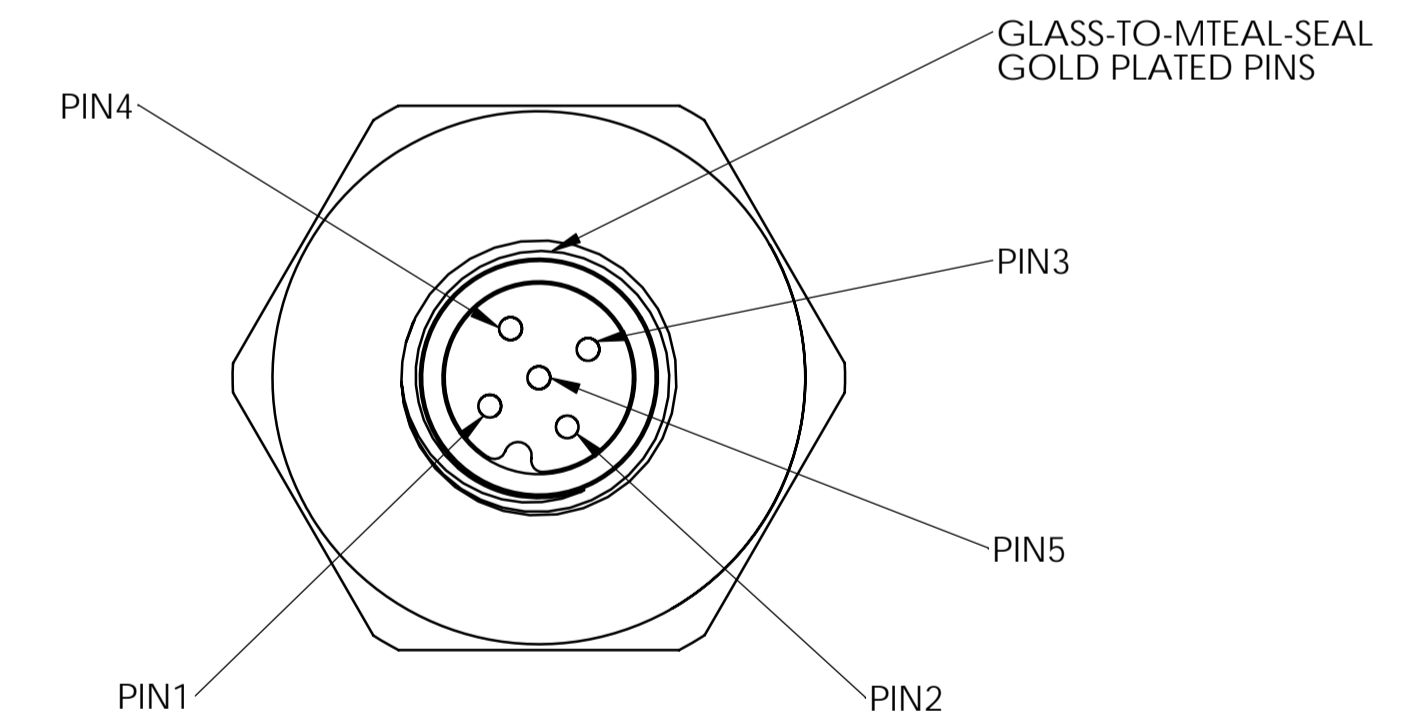
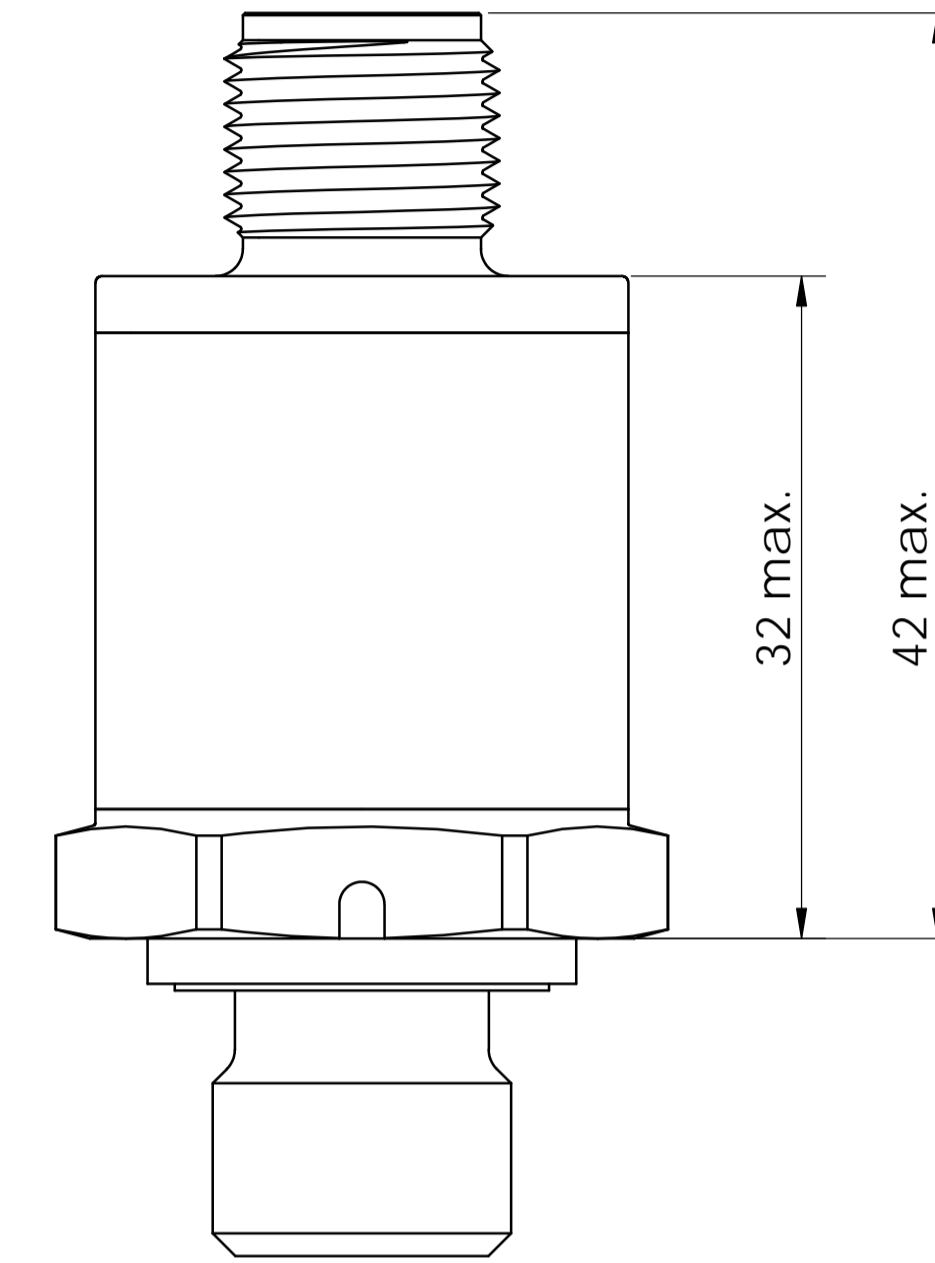
(PRESSURE PORT G1/4A DIN 3852-E SHOWN)

OEM MODULE MODEL SHOWN



PIN NUMBER	PIN1	PIN2	PIN3	PIN4	PIN5
DESCRIPTION	NC	V+	V-	SDA	SDC

GLASS-TO-METAL-SEAL PACKAGE MODEL SHOWN

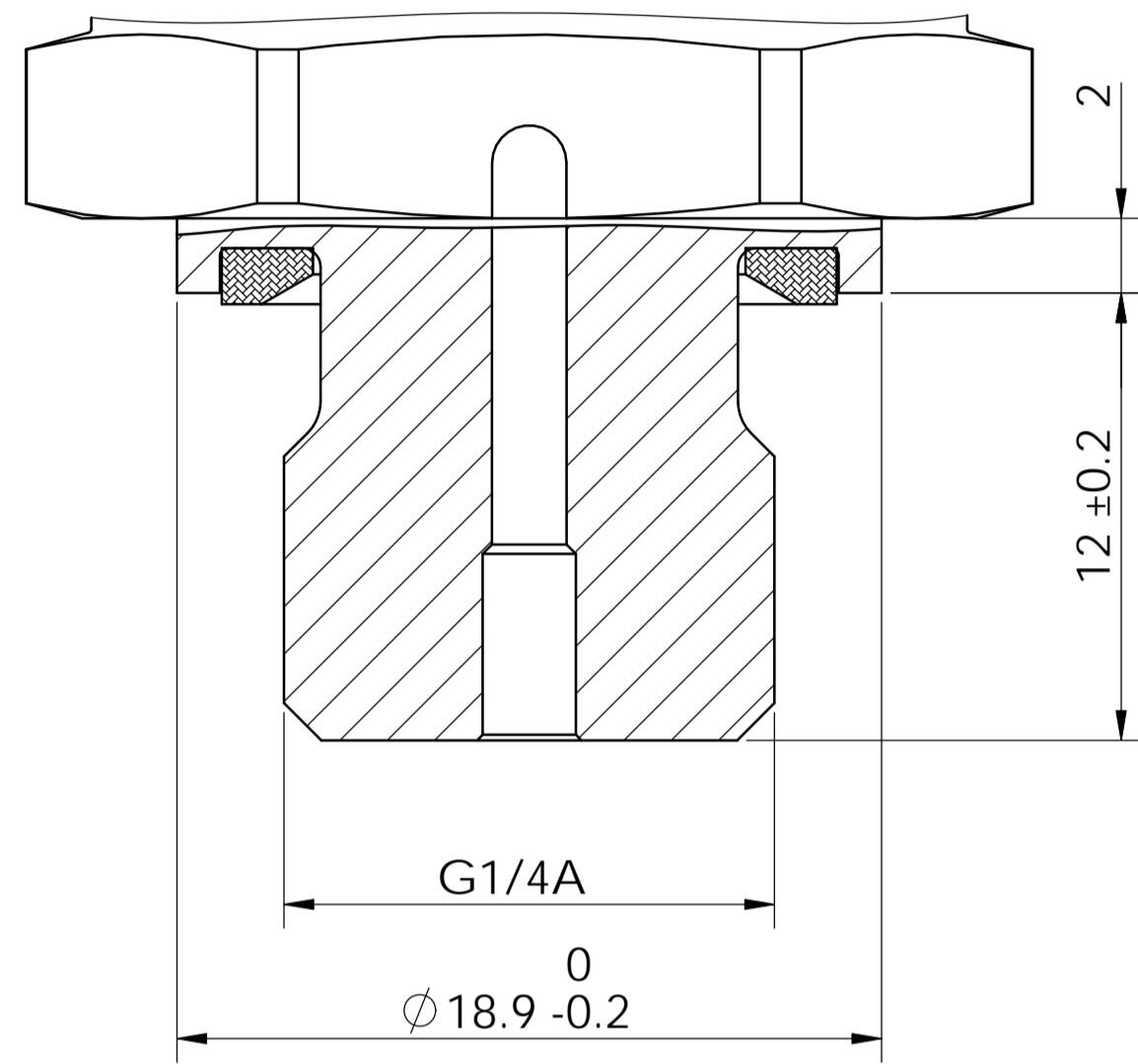


PIN NUMBER	PIN1	PIN2	PIN3	PIN4	PIN5
DESCRIPTION	NC	V+	V-	SDA	SDC

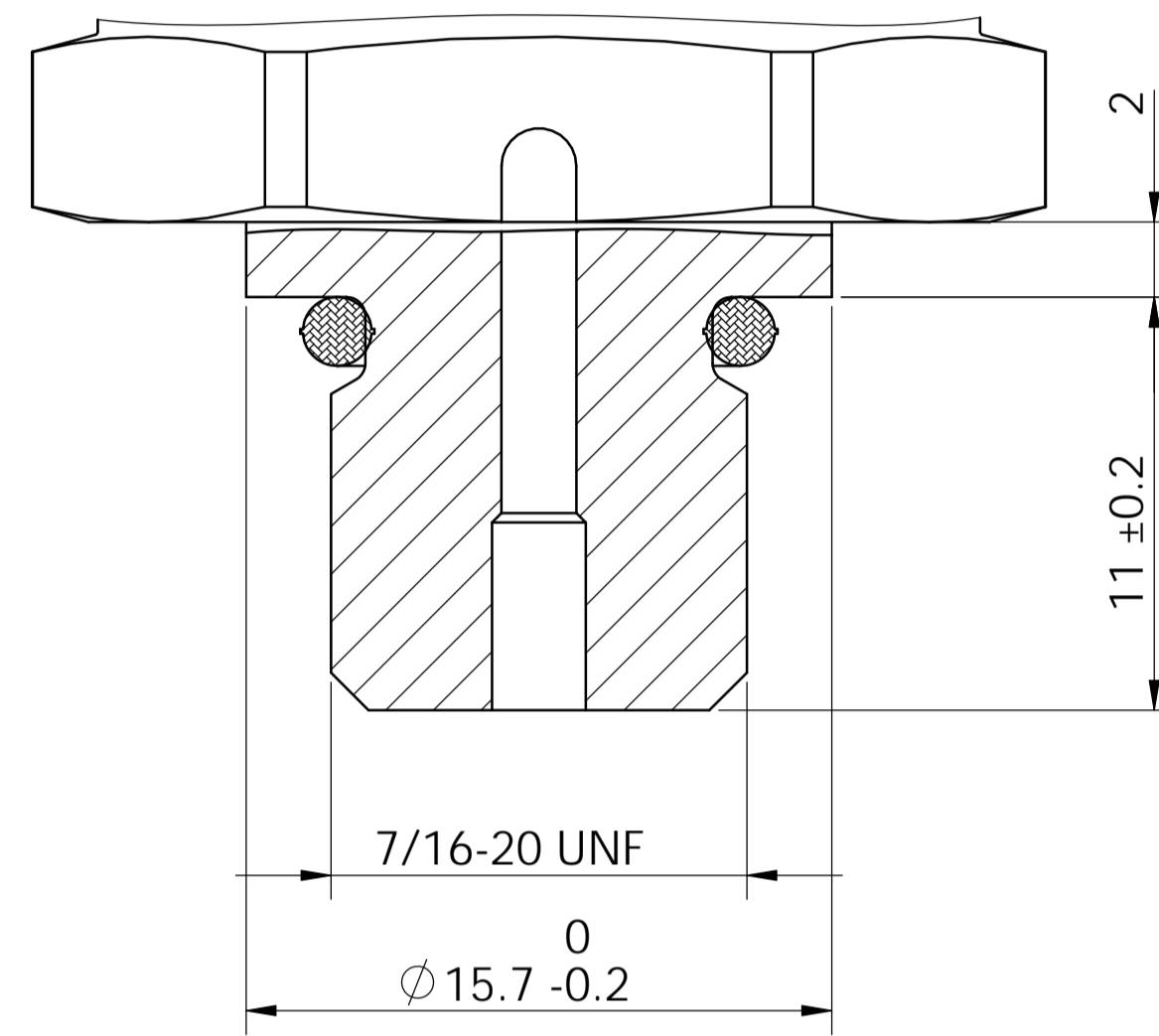
NOTE:
V+: Supply Voltage V-: Ground
SDA: I2C Digital Data Pin SDC: I2C Digital Clock Pin
NC: Not Connected

PRESSURE CONNECTION PORT OPTIONS

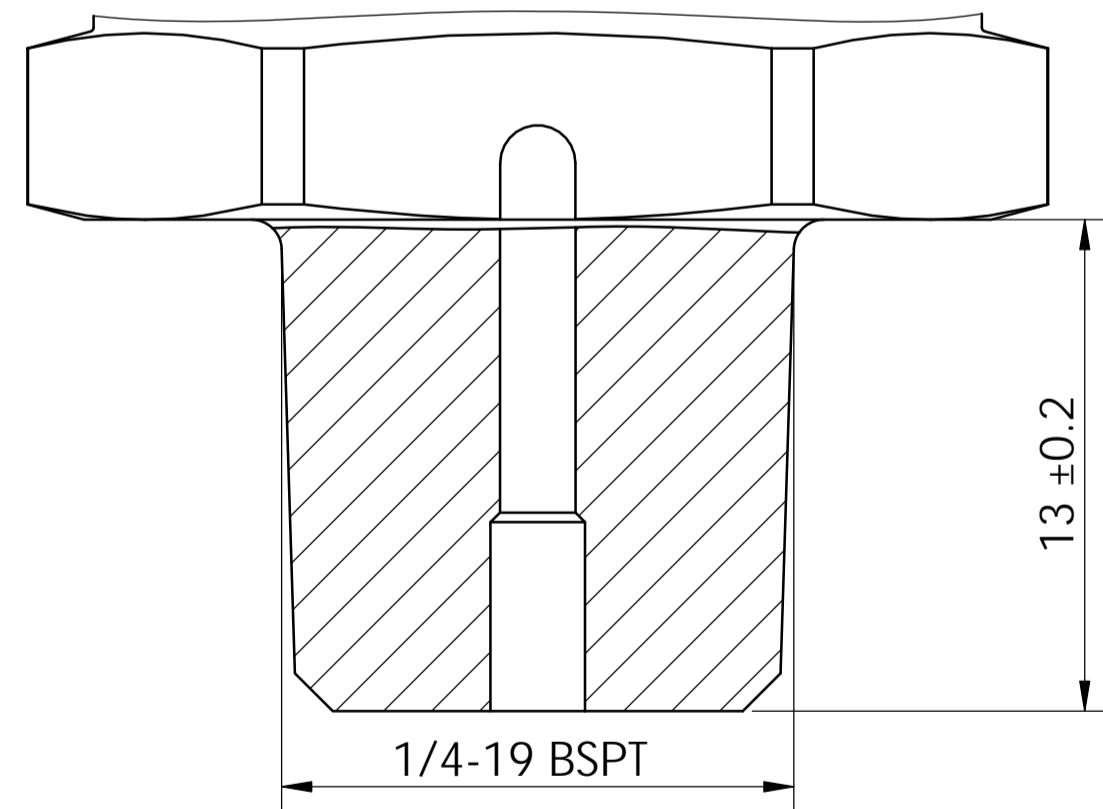
G1/4A (MALE) DIN 3852-E



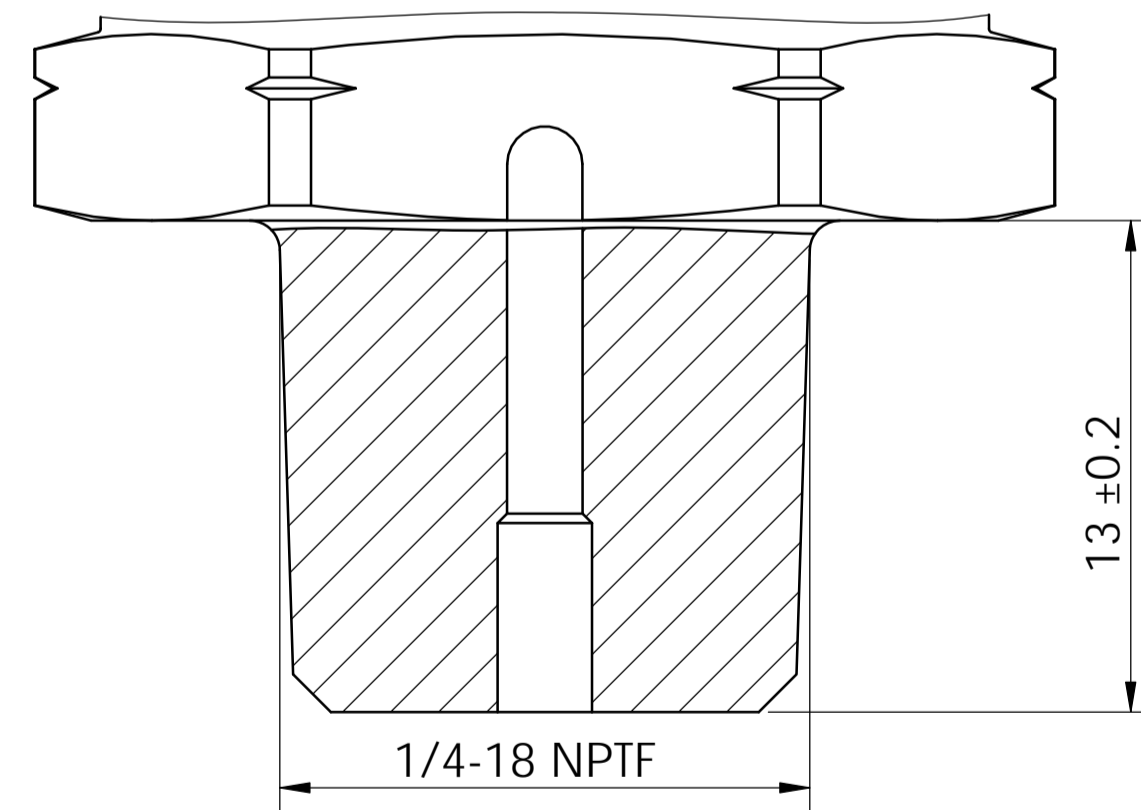
7/16-20 UNF J1926-3



1/4-19 PT(BSPT) (R1/4)

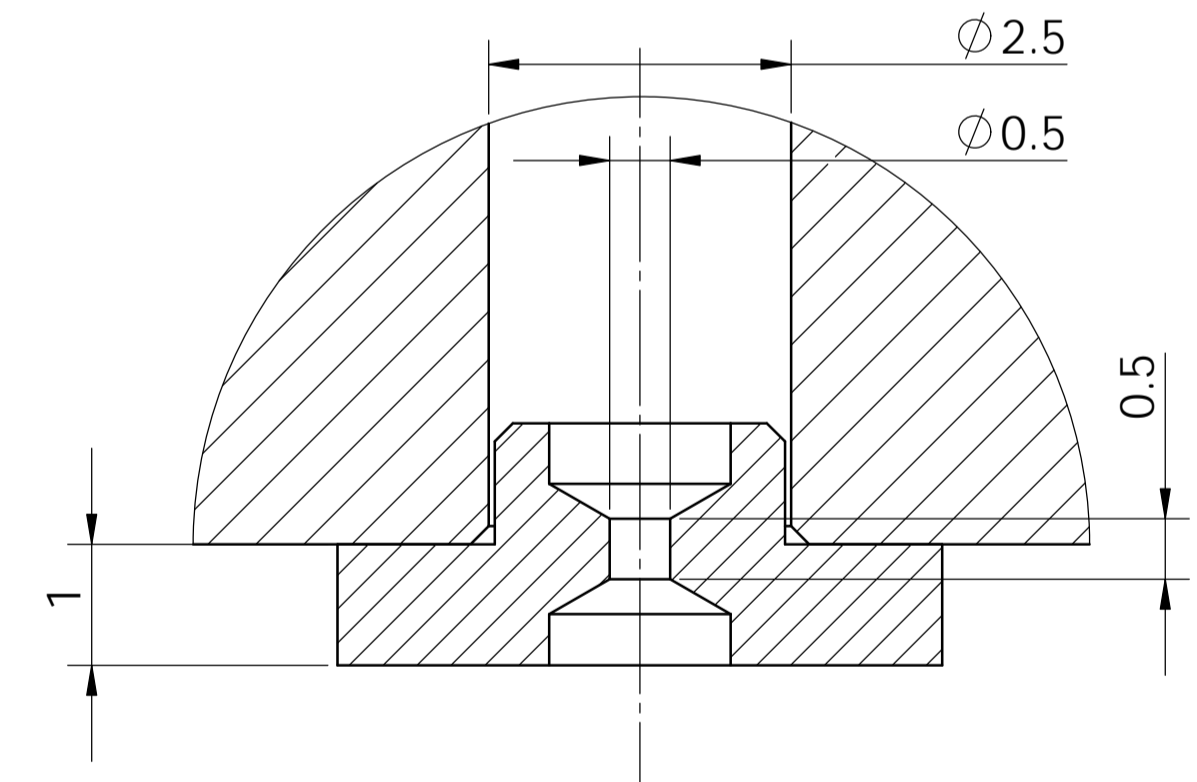
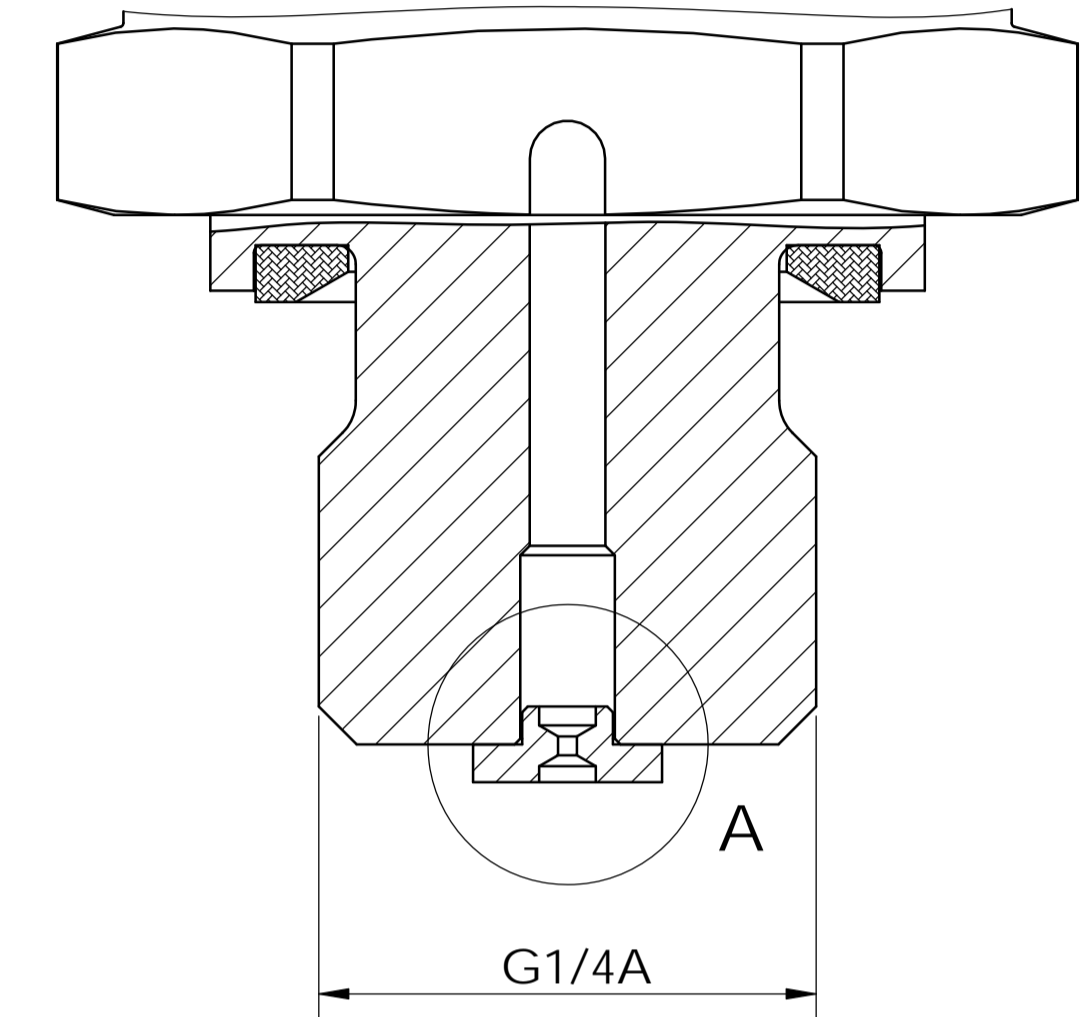


1/4-18 NPTF



SNUBBER OPTIONS (PRESSURE PORT G1/4A DIN 3852-E SHOWN)

G1/4A (MALE) DIN 3852-E



DETAIL A
SCALE 16 : 1