

Red Dot Lasermodule

LFD650-1-4.5(15x68)

Order Number: 70105643

Main Parameters (*)	min	typ	max	Unit
Wavelength		650		nm
Optical Diode Power		1		mW
Operating Voltage	3	3	4.5	V DC
Operating Current	10	20	30	mA
Operating Temperature	-20		40	°C
Storage Temperature	-40		80	°C

Optical Parameters

Beam Shape	Dot
Laser Class	2
Divergence	1mrad
Beam Diameter	2.5mm
Size of Laserdot	<4..6mm@5m
Operating Distance	10m
Optics	acrylic lens
Laser technology	Diode
Focus	fixed (5000mm)

Technical Parameters

Lifetime	>3000h
RoHS	yes

Electrical Parameters

Potential of Housing	VDD(+)
Battery	2 x LR44 Batteries

Mechanical Parameters

Size	Ø15x68mm
Material	Aluminium
Output Aperture	2.5mm
Weight	25g

(*) Over the complete operating temperature

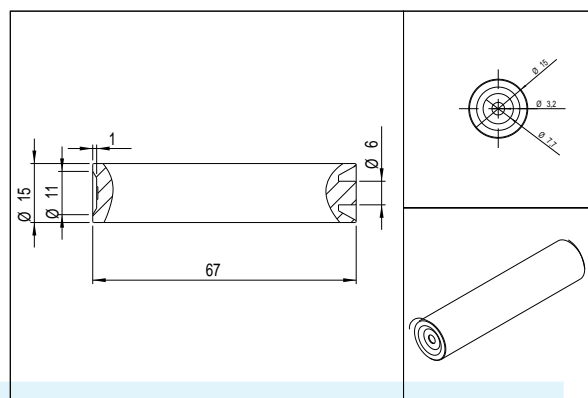
Features

- Compact size
- Laser Class 2
- Low cost
- Low power consumption
- With battery

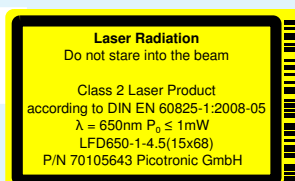
Picture



Drawing



Safety Label



Revision

REV 15

Laserfuchs is a registered trademark of the Picotronic GmbH

Picotronic GmbH Geschäftsführende
 Rudolf-Diesel-Str. 2a Geschäftsführer:
 56070 Koblenz David Heckner,
 Germany Thimo Komischke
 Thiemo Komischke
 56070 Koblenz David Heckner,
 Germany Thiemo Komischke
 info@picotronic.de

Sparkasse Koblenz
 BLZ 570 501 20, KTO 211 003
 Sparkasse Koblenz
 BIC / IBAN : MALA51KOB
 BLZ 570 501 20, KTO 211 003
 DE41 5705 0120 0000 2110 03
 BIC / IBAN : MALA51KOB
 DE41 5705 0120 0000 2110 03

Postbank Stuttgart
 BLZ 600 100 70, KTO 770 787 04
 Postbank Stuttgart
 BIC / IBAN : PBNKDE33
 DE41 6001 0070 0077 0787 04
 BIC / IBAN : PBNKDEFF
 DE41 6001 0070 0077 0787 04

Steuernummer: 22/651/0291/4
 Ust-Idnr. DE814473445
 Steuernummer: 22/651/0291/4
 Amtsgericht Koblenz HRB 20026
 Ust-Idnr. DE814473445
 WEEE-Reg.-Nr. DE85231360
 Amtsgericht Koblenz HRB 20026
 WEEE-Reg.-Nr. DE85231360