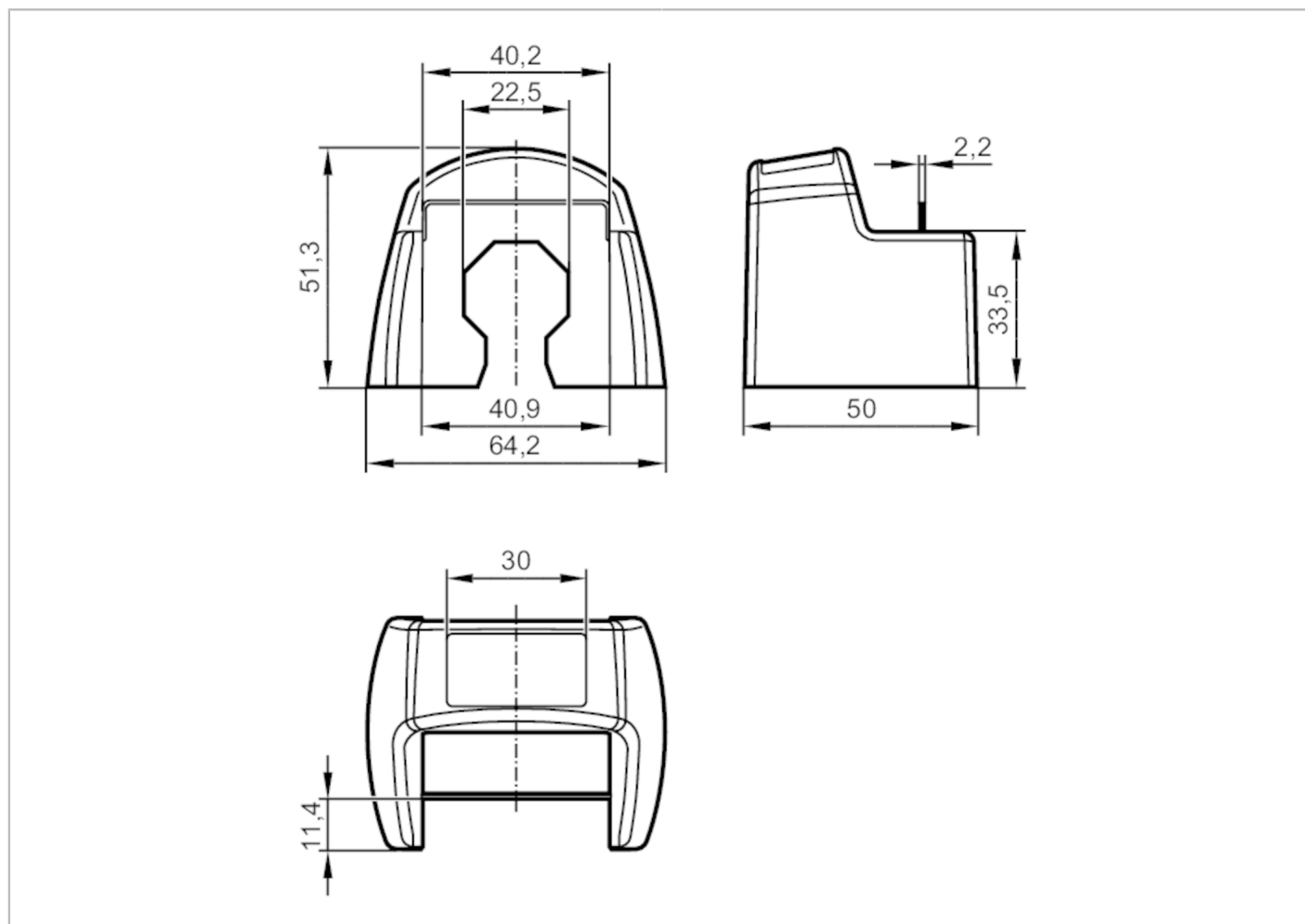


E12396



Protective housing for position sensors

PROTECTIVE COVER IMC FRONTLOOKING



Application	
Design	for types IMC
Mechanical data	
Weight [g]	40
Materials	PBT black; fixture: stainless steel (1.4401 / 316)
Remarks	
Pack quantity	1 pcs.