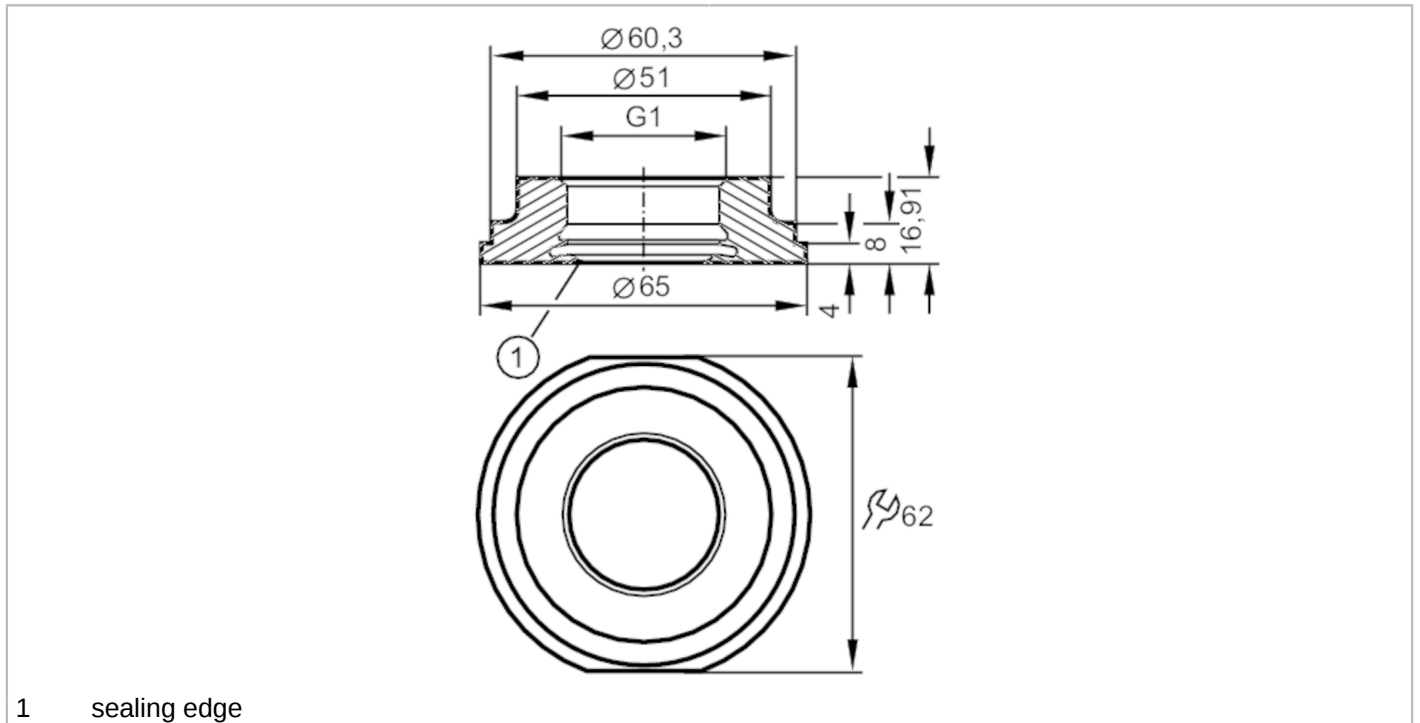


# E33732



## Process adapter for SMS pipe fitting

ADAPT IFM-SMS DN50/2"



EC 1935/2004 FCM 

Application	
Pressure rating	[bar] 25
Tests / approvals	
Pressure Equipment Directive	A possible classification to PED depends on the application and has to be carried out by the user / operator.
Safety instructions	The compatibility between medium and product material has to be checked in all applications.
Mechanical data	
Weight	[g] 267
Materials	stainless steel (1.4435 / 316L)
Sensor connection	G 1 external thread Aseptoflex Vario
Process connection	SMS pipe fitting DN50 (2")
Surface characteristics Ra/Rz of the wetted parts	0.4 / 4
Sealing	metal to metal
Hygienic equipment class to DIN 11866	H4
Remarks	
Pack quantity	1 pcs.