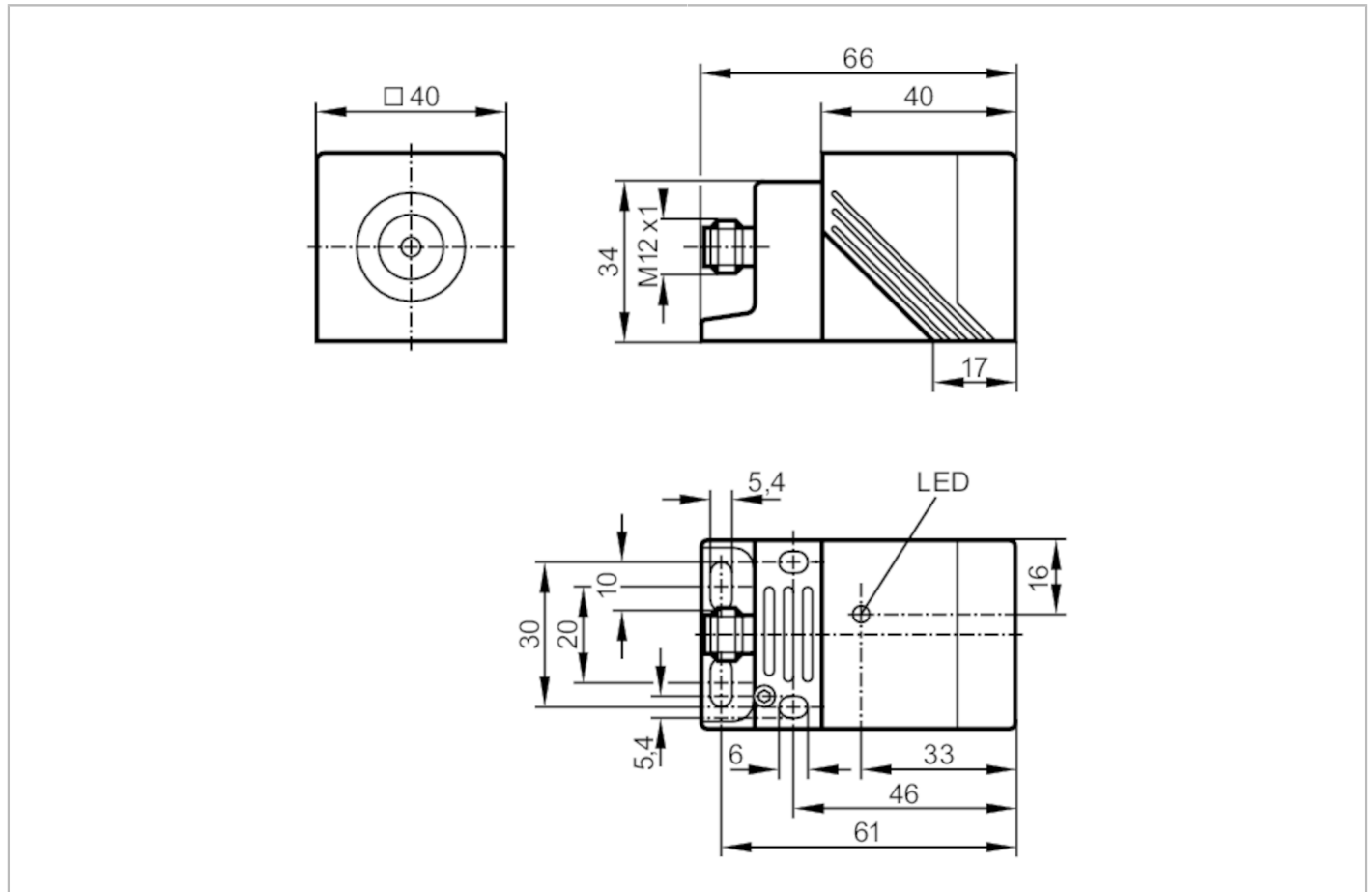


# NM500A



## Inductive NAMUR sensor

IMC2020BN/US/2G/1D





Product characteristics	
Electrical design	NAMUR
Output function	normally closed
Sensing range [mm]	20
Housing	rectangular
Dimensions [mm]	40 x 40 x 66
Electrical data	
Connection to switching amplifiers	yes
Switching amplifiers	connection to certified intrinsically safe circuits with the max. values: $U = 15 \text{ V} / I = 50 \text{ mA} / P = 120 \text{ mW}$
Nominal voltage DC [V]	8.2; (1k $\Omega$ )
Supply voltage DC [V]	7.5...30; (when used outside the hazardous area)
Current consumption [mA]	< 1; (disabled; conductive: > 2,1)
Protection class	III

# NM500A



## Inductive NAMUR sensor

IMC2020BN/US/2G/1D

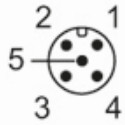
Outputs		
Electrical design	NAMUR	
Output function	normally closed	
Permanent current rating of switching output DC [mA]	30; (when used outside the hazardous area)	
Switching frequency DC [Hz]	200	
Detection zone		
Sensing range [mm]	20	
Real sensing range Sr [mm]	20 ± 10 %	
Accuracy / deviations		
Correction factor	steel: 1 / stainless steel: 0.7 / brass: 0.5 / aluminium: 0.4 / copper: 0.3	
Hysteresis [% of Sr]	1...15	
Switch point drift [% of Sr]	-10...10	
Operating conditions		
Ambient temperature [°C]	-20...70	
Protection	IP 67	
Tests / approvals		
Approval	BVS 04 ATEX E 091 X; IECEx BVS 06.0003	
ATEX marking	 II 2G Ex ia IIB T6 Gb	
	 II 1D Ex ia IIIC T 90°C Da	
EMC	EN 60947-5-6	
Shock/vibration resistance	30 g (11 ms) / 10-55 Hz (1 mm)	
MTTF [years]	2825	
Safety classification		
Max. internal capacitance [nF]	250	
Max. internal inductance [µH]	450	
Mechanical data		
Weight [g]	184	
Housing	rectangular	
Mounting	flush mountable	
Dimensions [mm]	40 x 40 x 66	
Materials	housing: PPE; end cap: PPS; connector housing: brass special coating; mounting adapter: PPS	
Displays / operating elements		
Display	switching status	1 x LED, yellow
Accessories		
Accessories (supplied)	Mounting bracket: 1 Allen key: 1	
Remarks		
Remarks	5 positions of the active zone possible	
Pack quantity	1 pcs.	
Electrical connection - plug		
Connector: 1 x M12		

# NM500A

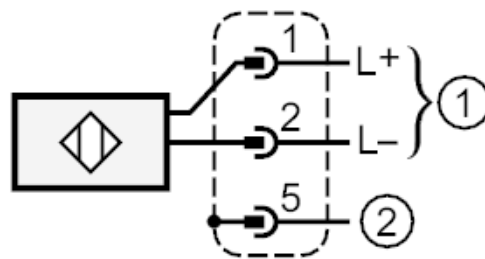


## Inductive NAMUR sensor

IMC2020BN/US/2G/1D



### Connection



- 1 = connection to NAMUR amplifiers
- 2 = potential equalisation of plug housing