

EUROCARD HOLDER

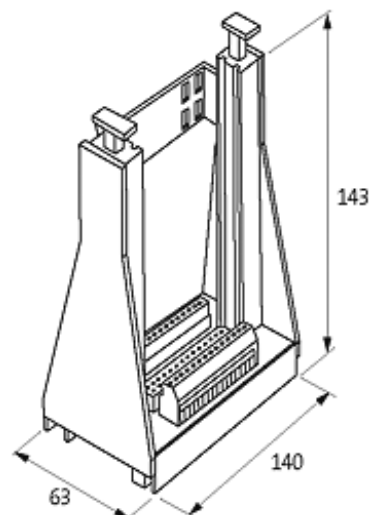
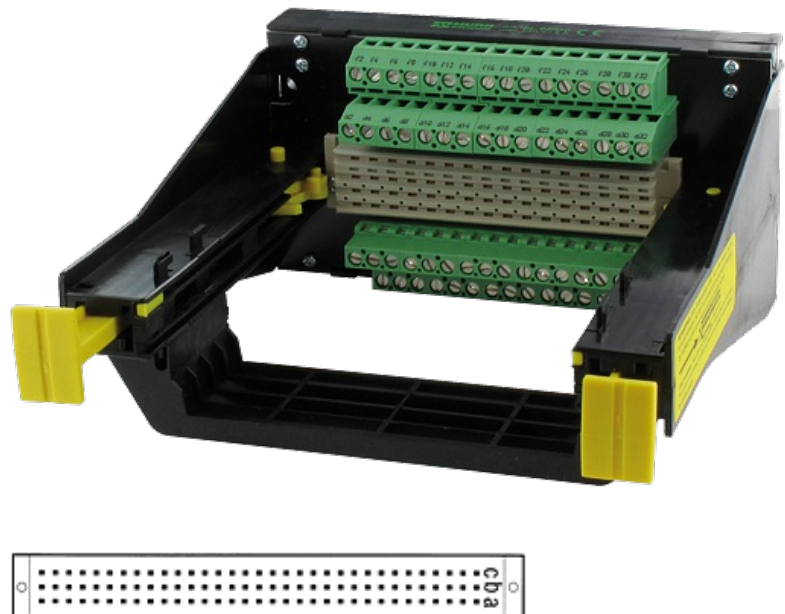
SKP 64/2-C(a+c)-FK

Spring clamp terminals
64-pole C (EN 60603)
Row a, c
250 V AC

With the vertical snap adapter SASA 135 Art.-No. 63900 the holder can be mounted at right-angles on the rail. The D2 size is for a card without a front plate.

[Link to Product](#)

Illustration



Product may differ from Image

Technical Data

Operating voltage	250 V AC
Operating current	max. 2 A
Configuration	64-pole C (EN 60603)
Material group	(EN 60664-1) over voltage, category I
Material	Plastic, flame retardant

General data

Mounting method	DIN-rail mountable (EN 60715) or screw fixing
Connection	4 mm ² single core
Dimensions H × W × D	63×137×170 mm

Description

Functional description	To insert the card first press down the 2 yellow buttons. Then slide the Eurocard into the guide slots pushing until fully engaged. The card is now locked into position. It can be removed by pressing down on the 2 yellow buttons.
------------------------	---

Commercial data

country of origin	CZ
customs tariff number	85369010
minimum order quantity	1