

## M12 FEMALE 90° SHIELDED

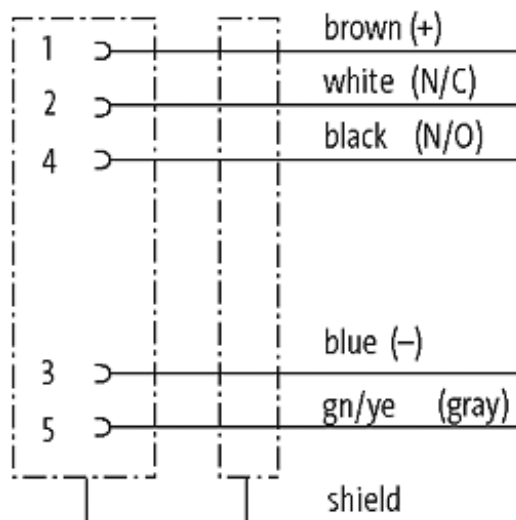
PVC 5X0.34 shielded black UL,CSA 10m

M12  
Female 90°  
5-pole, shielded

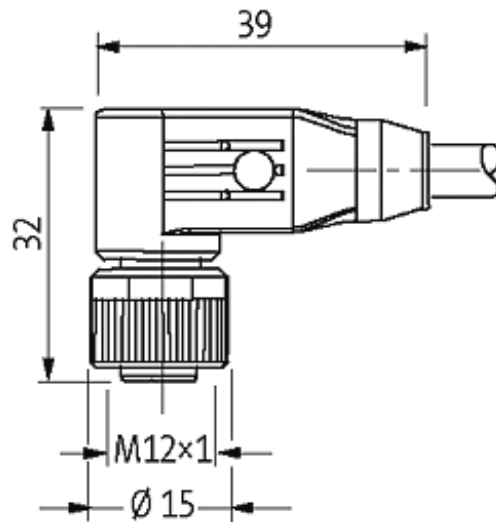
Plastic housings with good resistance against chemicals and oils. The resistance to aggressive media should be individually tested for your application. Further details on request. Further cable lengths on request.

### [Link to Product](#)

#### Illustration



# Female



Product may differ from Image