

## M12 MALE 90° / M12 FEMALE 90° LED

PUR 4X0.34 GRAY, UL/CSA, drag ch 1m

Male 90° to female 90°

M12 - M12, 4-pole

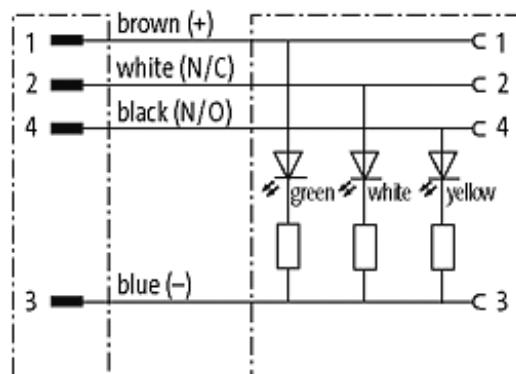
3 × LED (PNP), (NPN) on request

Art.-No. 7005 - M12 Lite - (plastic hexagonal screw) on request

Plastic housings with good resistance against chemicals and oils. The resistance to aggressive media should be individually tested for your application. Further details on request. Further cable lengths on request.

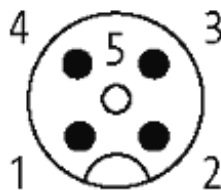
### [Link to Product](#)

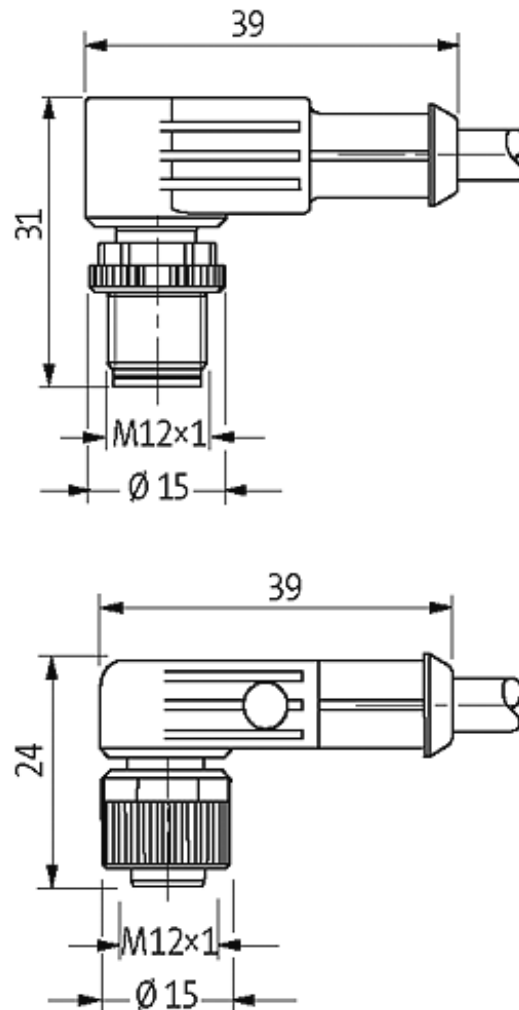
#### Illustration



Male

Female





Product may differ from Image

### Approvals



### Form

40421

### Technical Data

|                               |   |
|-------------------------------|---|
| Protection                    | IP67 inserted and tightened (EN 60529)                            |
| Operating voltage             | max. 30 V DC  |
| Operating current per contact | max. 4 A  |
| Locking of ports              | Screw thread M12 × 1 mm (recommended torque 0.6 Nm) self-securing |

### Cables

|                       |                          |
|-----------------------|--------------------------|
| Cable number          | 234                      |
| No./diameter of wires | 4 × 0.34 mm <sup>2</sup> |
| Wire isolation        | PP (br, wh, bl, bk)      |

The information in this brochure has been compiled with the utmost care.

Liability for the correctness completeness and topicality of the information is restricted to gross negligence. Version: 05/15

|                             |                                 |
|-----------------------------|---------------------------------|
| C-track properties          | 5 Mio.                          |
| Torsion                     | 2 Mio. $\pm$ 180°/m             |
| Jacket Color                | gray                            |
| Shore hardness outer jacket | 90 $\pm$ 5A                     |
| Material (jacket)           | PUR (UL/CSA)                    |
| Outer diameter              | approx. 4.7 mm                  |
| Bend radius (fixed)         | 5 $\times$ outer $\varnothing$  |
| Bend radius (moving)        | 10 $\times$ outer $\varnothing$ |
| Temperature range (fixed)   | -40...+80 °C                    |
| Temperature range (mobile)  | -25...+80 °C                    |

#### General data

|                   |  |
|-------------------|--|
| Temperature range | -25...+85 °C, depending on cable quality |
|-------------------|--|

#### Commercial data

|                        |          |
|------------------------|----------|
| country of origin      | DE       |
| customs tariff number  | 85444290 |
| minimum order quantity | 1        |