



CE

### Model Number

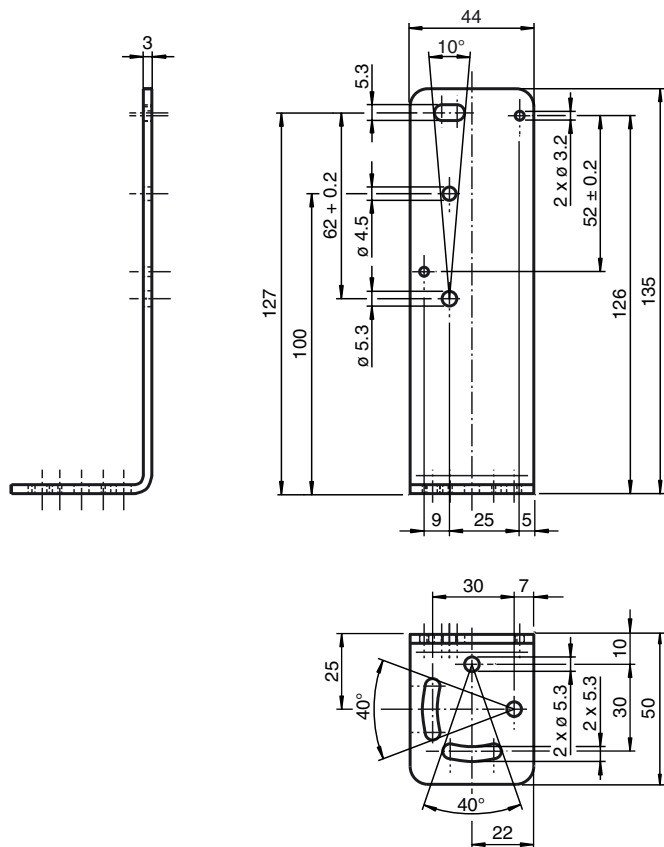
OMH-22

Mounting bracket

### Features

- Mounting bracket
- Simple and fast mounting

## Dimensions



## Technical data

### Mechanical specifications

Material	aluminium, black anodised
Mass	approx. 180 g

### Suitable series

Series	RL23 RL28 RL29 RL32
Safety Series	SLA20 SLA28 SL29, SLA29
Reflector series	reflector C110-2 H60 reflector