

Data Sheet

PT118xxVBEC

Page 1/5

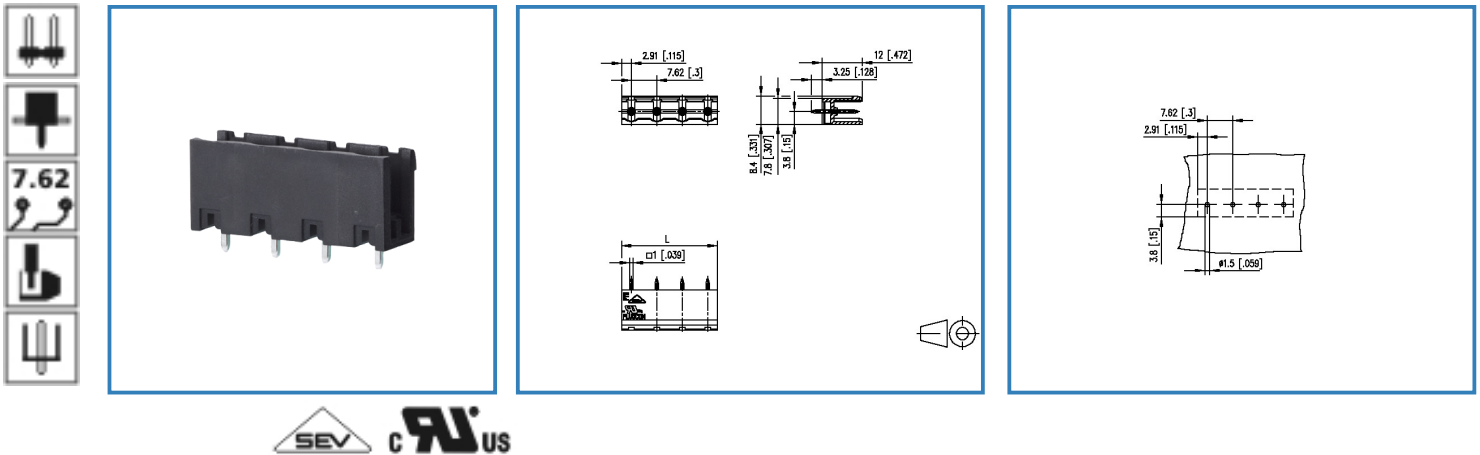
P/N

312631xx

xx=number of poles

2017/01/24

Illustration



see enlarged drawing at the end of the document

Product specification

- pin header, solderable
- centerline 7.62 mm, direction of connection vertical 0°
- open ends, fittable without loss of poles
- color black
- codeable

Data Sheet

PT118xxVBEC

Page 2/5

P/N

312631xx

xx=number of poles



2017/01/24

Technical Data

General Data

Solder pin length	3.25 mm		
min. number of poles	2		
max. number of poles	12		
Insulating material class	CTI 600		
clearance/creepage dist.	6.6 mm		
protection category	IP 00		
Overvoltage category	III	III	II
Pollution degree	3	2	2
Rated voltage	500 V	1250 V	1250 V
Rated test voltage	6.0 kV	6.0 kV	6 kV

Approvals

 V / A / AWG	300 / 15 / 28 - 14
	13.5 A / 500 V / 6 kV / 3 / IEC 61984

Material

insulating material	PA66
flammability class	V0
Glow-Wire Flammability GWFI	960
Glow-Wire Flammability GWIT	775
contact pin material	CuFe
contact pin surface	Ni + Ag

Climatic properties

upper limit temperature	105 °C
lower limit temperature	-40 °C

General

solderability	Acc. to JEDEC JESD22-B102E 245°C/5s
Tolerance	ISO 2768 -mH

Data Sheet

PT118xxVBEC

Page 3/5

P/N

312631xx

xx=number of poles

2017/01/24

Matching Part to

P/N	Product name
312621	RP018xxVBLC Typ 262

Accessories

P/N	Product name
700024-01-9	700024
700523-0157 (on request)	Geh_Kappe_swg_Block
700523-0257 (on request)	Geh_Kappe_swg_Block



Data Sheet

PT118xxVBEC

Page 4/5

P/N

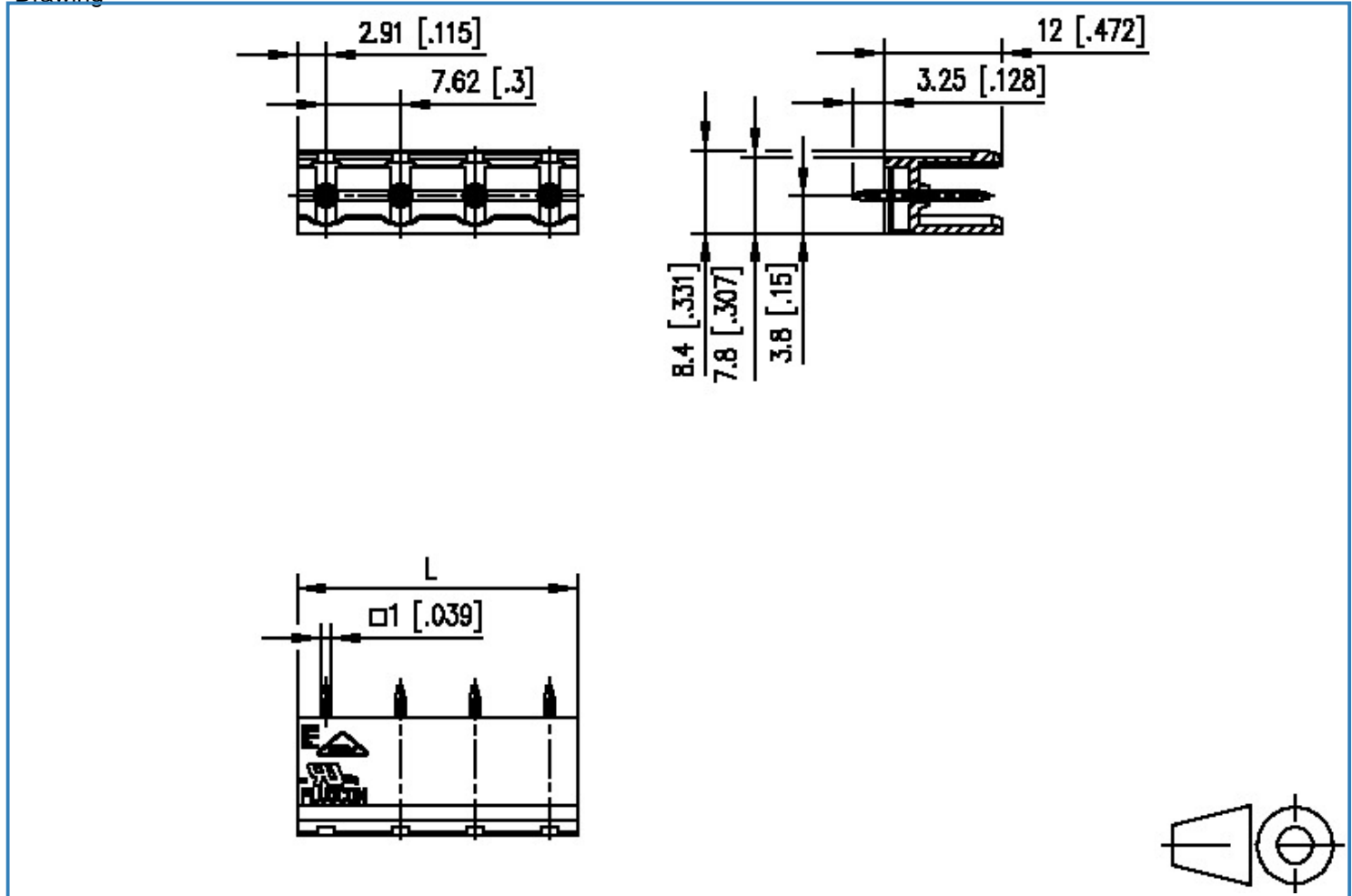
312631xx

xx=number of poles

2017/01/24

Illustration

Drawing



$$L = (\text{pole size} - 1) \times \text{centerline} + 5.82 [0.229]$$



Data Sheet

PT118xxVBEC

Page 5/5

P/N

312631xx

xx=number of poles

2017/01/24

PCB Layout

