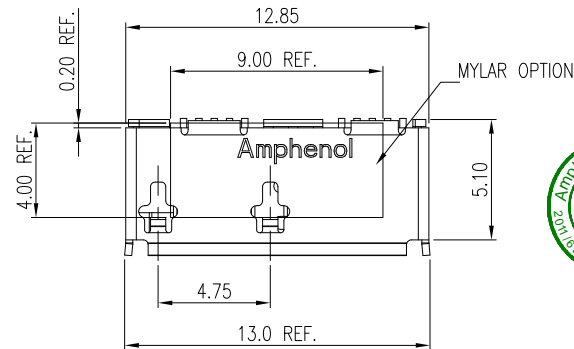


This document is the property of Amphenol Corporation and is delivered on the express condition that is not to be disclosed, reproduced or used, in whole or in part, for manufacture or sale by anyone other than Amphenol Corporation without its prior consent, and that no right is granted to disclose or to use any information in this document.

The marking on this product doesn't contain environmental hazardous material and must follow one or more specifications per Material Specification SS-00259 for Sony GP compliant or per directive 2011/65/EC for RoHS compliant or per IEC 61249-2-21 for Halogen Free compliant.

ORIGINAL

REVISIONS				
SYM	ECN No.	DESCRIPTION	DATE	BY
A		RELEASE TO PRODUCTION	06/09/2010	Sondra Sang
B	NE-10151	MODIFIED PCB LAYOUT	09/17/2010	Sondra Sang
C	NE-14075	ADDED SHELL TAIL OPTIONS	04/30/2014	Sondra Sang
D	NE-16116	ADDED PANEL CUT OUT	05/13/2016	Sondra Sang

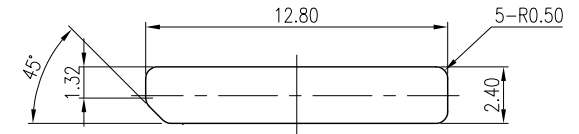


PART NUMBER:
GSB3 43K 3 3 X X HR

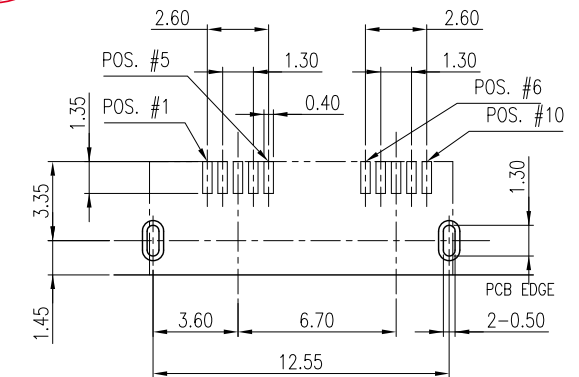
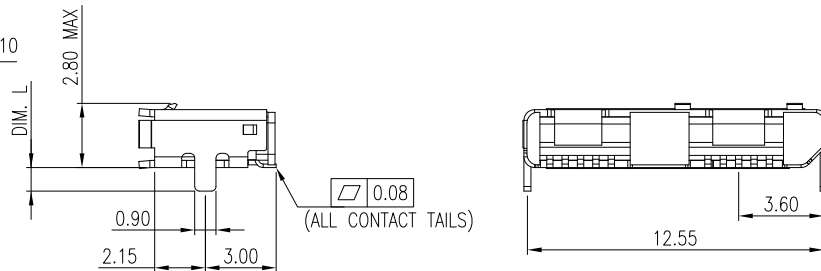
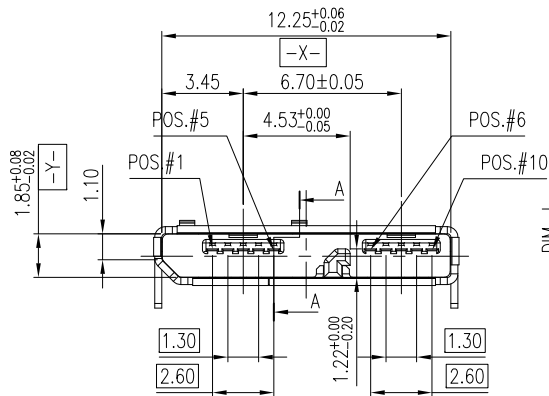
CONTACT FINISH
3: 30μ" GOLD

VARIATION CODE
BLANK: STANDARD T&R PACKING
A: W/ MYLAR, T&R PACKING

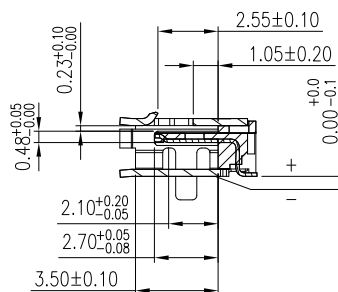
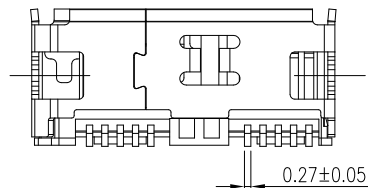
SHELL TAIL LENGTH
BLANK: DIP L=1.0mm
1: DIP L=1.4mm



RECOMMENDED PANEL CUT OUT
(GENERAL TOLERANCE: ±0.20)



RECOMMENDED PCB LAYOUT- TOP VIEW
(GENERAL TOLERANCE: ±0.05)



SECTION A-A

NOTES:

- HOUSING: HIGH TEMP. THERMOPLASTIC, UL 94V-0, COLOR- BLACK
- CONTACT: COPPER ALLOY, 0.15mm THICKNESS, 30μ" MIN. GOLD PLATED ON CONTACT AREA, GOLD FLASH PLATED ON SOLDERING TAIL, 80μ" MIN. NICKEL UNDER-PLATED OVERALL
- METAL SHELL: STAINLESS, 0.3mm THICKNESS, GOLD FLASH PLATED ON THE SOLDERING TABS
- MYLAR: 4.0 x 9.0 mm
- THIS PRODUCT DOESN'T CONTAIN ENVIRONMENTAL HAZARDOUS MATERIALS PER DIRECTIVE 2011/65/EC FOR RoHS AND PER IEC 61249-2-21 FOR HALOGEN FREE COMPLIANT.

GSB 343 K33 1(X)HR	1.40
GSB 343 K33 (X)HR	1.00
PART NUMBER	DIM. L

TOLERANCE	APPROVALS	DATE
X.	DRAWN Sondra Sang	5/13/2016
X.X ±0.30		
X.XX ±0.20		5/13/2016
X.XXX ±0.10		
ANGULAR ±1°	APPROVED Hank Hsu	5/13/2016
UNLESS OTHERWISE SPECIFIED	DWG TYPE CUST DWG	PROJECT CODE T503

TITLE	
USB 3.0 CONNECTOR MICRO_B, RECEPTACLE R/A SMT, SHELL DIP TYPE	
UNIT mm	SIZE A3
SCALE NA	SHEET 1 OF 1

Amphenol ®	
Amphenol Corporation Amphenol Taiwan Corporation	
PART No.	GSB3 43K 33X XHR
DWG No.	GSB343K33HR
REV.	D