



Relays, Contactors & Switches > Switches > Tactile Switches



Actuator Style: **Round**

Operating Function: **NO**

Contact Base Material: **Copper Alloy**

Switch Contact Plating Material: **Silver**

Dust Proof: **No**

## Features

### Product Type Features

Product Type	Switch
Leg Style	Kinked
Illuminated	With
Actuator Style	Round
Dust Proof	No

### Configuration Features

Tactile Feel	With
ESD Grounding Terminal	With
Ganged	With
Tactile	Yes
Snap Action	Without
Operating Function	NO
Support Bracket	Without
Number of Actuators	1

### Body Features

Cover Material	Steel-Tin Plate
Case Color	Black
Actuator Force	160 g[5.648 oz]
Case Material	Polyamide
Bushing Style	Unthreaded

Actuator Profile	Extended
------------------	----------

Actuator Material	PBT
-------------------	-----

Actuator Color	Black
----------------	-------

### Contact Features

Contact Base Material	Copper Alloy
-----------------------	--------------

Switch Contact Plating Material	Silver
---------------------------------	--------

Contact Current Rating	50 mA
------------------------	-------

### Termination Features

Termination Type	Printed Circuit Board
------------------	-----------------------

### Mechanical Attachment

Mounting Type	Through Hole
---------------	--------------

Mounting Angle	Vertical
----------------	----------

### Housing Features

Low Profile	With
-------------	------

Process Sealed	No
----------------	----

### Dimensions

Actuator Length	5.9 mm[.232 in]
-----------------	-----------------

Button Width	3.3 mm[.13 in]
--------------	----------------

Switch Height	9.5 mm[.374 in]
---------------	-----------------

### Usage Conditions

Temperature Rating	High °C
--------------------	---------

### Packaging Features

Packaging Method	Loose Piece
------------------	-------------

### Other

Comment	(On) indicates momentary position.
---------	------------------------------------

### Product Compliance

[For compliance documentation, visit the product page on TE.com>](#)

EU RoHS Directive 2011/65/EU	Compliant
------------------------------	-----------

EU ELV Directive 2000/53/EC	Compliant
-----------------------------	-----------

China RoHS 2 Directive MIIT Order No 32, 2016	No Restricted Materials Above Threshold
---	---

EU REACH Regulation (EC) No. 1907/2006

Current ECHA Candidate List: JUL 2019  
(201)Candidate List Declared Against: JUL 2019  
(201)

Does not contain REACH SVHC

EU REACH Regulation (EC) No. 1907/2006

Current ECHA Candidate List: JUL 2019  
(201)Candidate List Declared Against: JUL 2019  
(201)

Halogen Content

Low Halogen - Br, Cl, F, I < 900 ppm per  
homogenous material. Also BFR/CFR/PVC  
Free

Solder Process Capability

Wave solder capable to 265°C

## Product Compliance Disclaimer

This information is provided based on reasonable inquiry of our suppliers and represents our current actual knowledge based on the information they provided. This information is subject to change. The part numbers that TE has identified as EU RoHS compliant have a maximum concentration of 0.1% by weight in homogenous materials for lead, hexavalent chromium, mercury, PBB, PBDE, DBP, BBP, DEHP, DIBP, and 0.01% for cadmium, or qualify for an exemption to these limits as defined in the Annexes of Directive 2011/65/EU (RoHS2). Finished electrical and electronic equipment products will be CE marked as required by Directive 2011/65/EU. Components may not be CE marked. Additionally, the part numbers that TE has identified as EU ELV compliant have a maximum concentration of 0.1% by weight in homogenous materials for lead, hexavalent chromium, and mercury, and 0.01% for cadmium, or qualify for an exemption to these limits as defined in the Annexes of Directive 2000/53/EC (ELV). Regarding the REACH Regulations, TE's information on SVHC in articles for this part number is still based on the European Chemical Agency (ECHA) 'Guidance on requirements for substances in articles' (Version: 2, April 2011), applying the 0.1% weight on weight concentration threshold at the finished product level. TE is aware of the European Court of Justice ruling of September 10th, 2015 also known as O5A (Once An Article Always An Article) stating that, in case of 'complex object', the threshold for a SVHC must be applied to both the product as a whole and simultaneously to each of the articles forming part of its composition. TE has evaluated this ruling based on the new ECHA "Guidance on requirements for substances in articles" (June 2017, version 4.0) and will be updating its statements accordingly.

## Compatible Parts



TE Model / Part # 1825910-6  
FSM4JH=6MM TACT  
SWITCH, HIGH TEMP



TE Model / Part # 2-1825910-7  
FSM14JH=6MM TACT  
SWITCH, HIGH TEMP



TE Model / Part # 4-1437565-2  
FSM4JSMATR=TACT  
SWITCH 6X6MIL



TE Model / Part # 3-1437565-0  
FSM2JSMATR=ON T/R

## Customers Also Bought



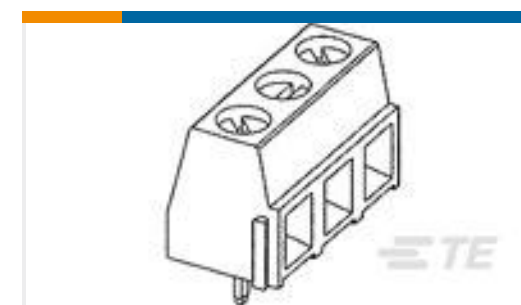
TE Model / Part #1-644752-3  
13P MTA156 HDR ASSY  
SQ STR F/L



TE Model / Part #3-640445-8  
08P MTA156 HDR ASSY FL  
/STR SN



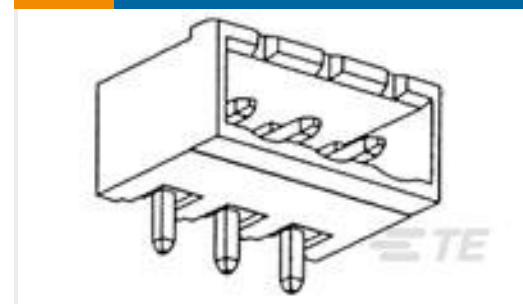
TE Model / Part #172059-3  
DRAWER CONN 16P  
MALE



TE Model / Part #3-282836-0  
TERMI-BLOK PCB  
MOUNT 90 8P Ke



TE Model / Part #3-644611-5  
05P MTA156 HDR POL  
WO PEGS LF



TE Model / Part #796644-9  
9POS 5.0MM CE R/A HDR,  
TRM BLK



TE Model / Part #1-1977745-8  
RCPT, 2.0MM, 38P,VRT  
MT, Sn



TE Model / Part #6-102557-0  
06 MODII HDR DRST  
SHRD A/PIN LF



TE Model / Part #8-1393224-3  
RY531048

## Documents

### Product Drawings

FSM7JH=6MM TACT SWITCH, HT W/ESD

English

### CAD Files

3D PDF

3D

Customer View Model

[ENG\\_CVM\\_CVM\\_1-1825955-4\\_B.2d\\_dxf.zip](#)

English

Customer View Model

[ENG\\_CVM\\_CVM\\_1-1825955-4\\_B.3d\\_igs.zip](#)

English

Customer View Model

[ENG\\_CVM\\_CVM\\_1-1825955-4\\_B.3d\\_stp.zip](#)

English

### Product Environmental Compliance

[TE Material Declaration](#)



English