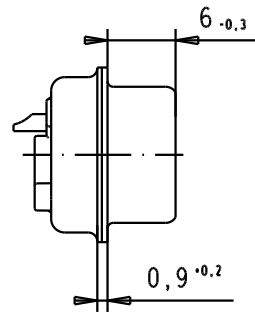
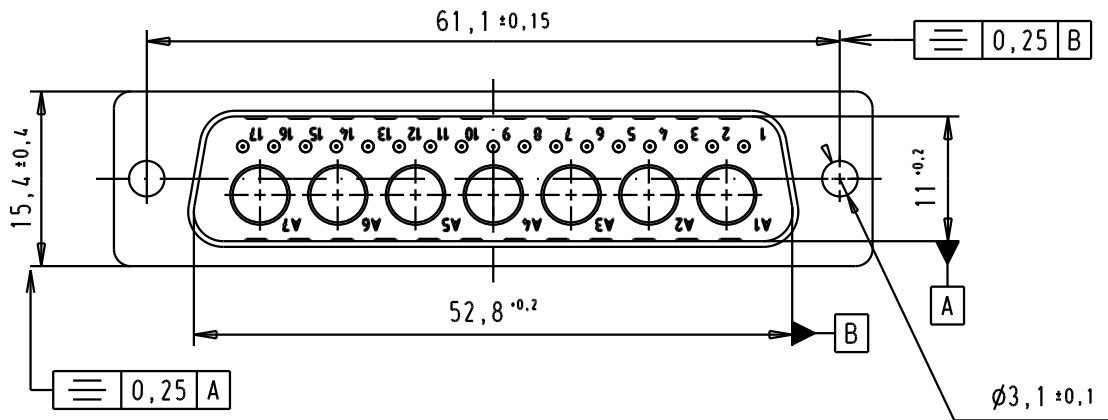
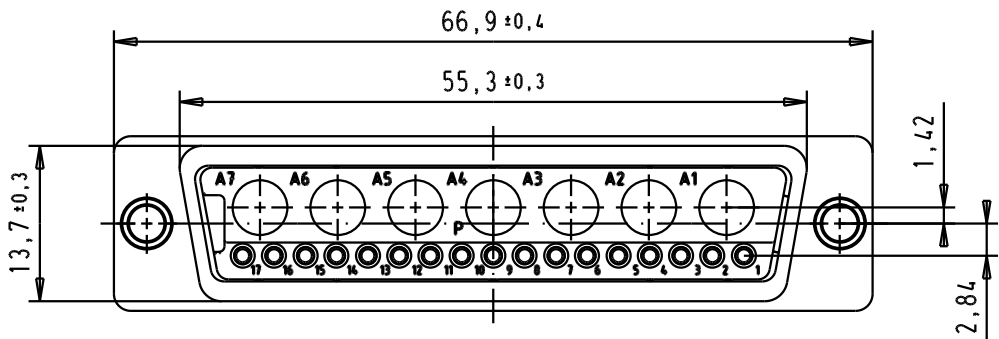
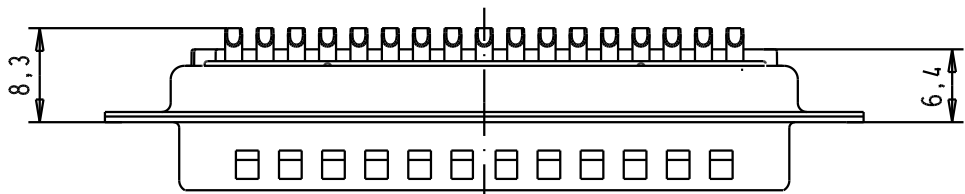


5 4 3 2 1



Solder bucket termination For AWG 20



						<p>All Dim. in mm Orig. Size DIN A 4</p>	D-sub, male, straight, 24W7 without power contact, solder buckets, tin plated shell with dimples and holes	Maßstab/ Scale 1,5:1	
				Detail.	21/04/04				JH
				Insp.					
				Stand.					
09 69 511 7247	PL3	33421	06/02/06	JMDR	HARTING EURL F-95972 Paris			TB 09 69 511 X247	Blatt / Page 1 / 1
09 69 511 5247	0,76 µm Au	31890	21/04/04	JH					
Part number	Plating	Mod.	Dat.	Name					