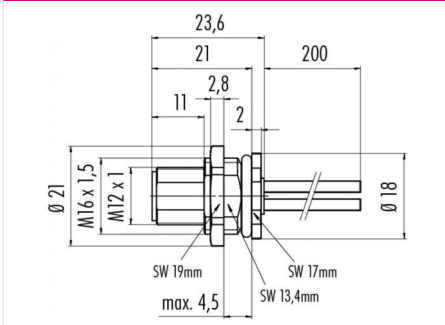


| | |
|---------------------|---|
| Product description | Contacts: 4, male panel mount connector, POWER, front fastened, with single wires, T-Coding, M16x1,5 |
| Area | M12-T, M12-L Series 813, T-coding |
| Order number | 09 0631 120 04 |

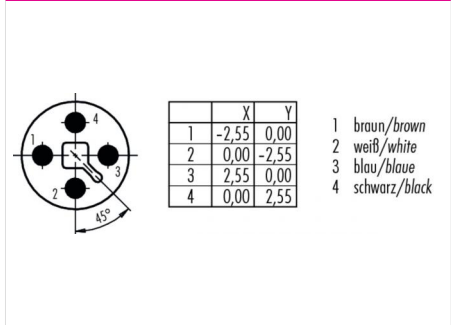
Illustration



Scale drawing



Contact arrangement



You can find the assembly instructions on the next page.

Technical data

General values

| | |
|--------------------------|----------------------------|
| Connector design | male panel mount connector |
| Connector locking system | bolted |
| Termination | single wires |
| Wire gauge (mm) | 1.38 mm ² |
| Wire gauge (AWG) | 16 |
| Upper limit temperature | 85 °C |
| Lower limit temperature | -40 °C |
| Customs tariff number | 85369010 |

Cable data

| | |
|------------|-----|
| Approval 1 | UL |
| Approval 2 | VDE |

Electrical values

| | |
|---------------------------|---------------------------|
| Rated current (40 °C) | 12 A |
| Rated voltage | 63 V |
| Rated impulse voltage | 1500 V |
| Pollution degree | 3 |
| Overvoltage category | III |
| Insulating material group | II |
| Volume resistivity | ≤ 5 mΩ |
| EMC compliance | Shielding is not possible |
| Degree of protection | IP68 |
| Mechanical operation | > 100 Mating cycles |

Material

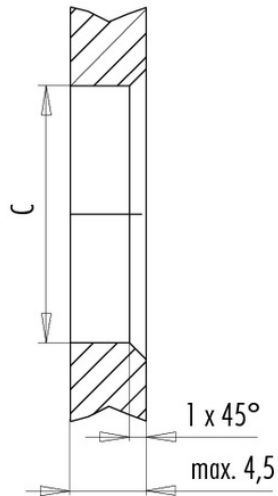
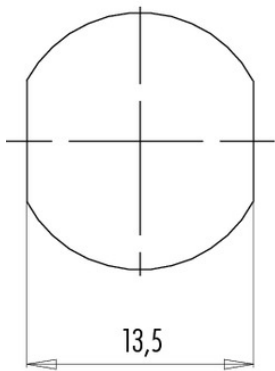
| | |
|-----------------------|-----------------------------|
| Contact material | CuZn (brass) |
| Contact plating | Au (gold) |
| Contact body material | PA |
| Housing material | Zinc die-cast nickel-plated |

| | |
|---------------------|---|
| Product description | Contacts: 4, male panel mount connector, POWER, front fastened, with single wires, T-Coding, M16x1,5 |
| Area | M12-T, M12-L Series 813, T-coding |
| Order number | 09 0631 120 04 |

Assembly instructions / Panel cut-out

Mit Fläche als Verdrehschutz
With flats as anti-rotation device

Mit Durchgangsbohrung
With bore hole



| | |
|---------|------|
| | C |
| PG 9 | 15,3 |
| M16x1,5 | 16,1 |

Anzugsdrehmoment/Tightening torque

Metallgehäuse/Metal housing 6,25 Nm
Kunststoffgehäuse/Plastic housing 3,75 Nm

Product description

Contacts: 4, male panel mount connector, POWER, front fastened, with single wires, T-Coding, M16x1,5

Area

M12-T, M12-L Series 813, T-coding

Order number

09 0631 120 04

Security notices

The connectors are designed for use in plant, control system and electrical equipment. The end user is responsible for checking whether the connectors are suitable for use in other applications.

Connectors with degree of protection IP 67 and IP 68 are not suitable for use under water. When used outdoors, the connectors must be separately protected against corrosion. For further information about IP degrees of protection refer to 'Technical support' in the Download Centre.