



| | |
|---|---------------------------|
| DATA SHEET | 10420000 |
| EPIC[®] H-A 3 SS / H-A 3 BS | Valid from: 07.07.2015 |

Description

- H-A inserts with screw termination up to 2.5 mm² wire cross section.
- The small H-A 3 / H-A 4 are used whenever there is minimal space.
- Easy to service screw connection.
- Easy cable connection with straight cable entry in the contacts.



General Characteristics

| | |
|---------------------|---|
| Series | H-A 3 |
| Version | Male/Female(Article 10421000) |
| Number of Contacts | 3+PE |
| Termination Methods | Screw termination: 0.5 - 2.5 mm ² (2.5 mm ² with conductor end sleeves depending on the crimping profile) |
| Temperature Range | -40°C to +100°C, short-term up to +125°C |

Mechanical Characteristics

| | |
|-------------------------------|-----|
| Cycle of mechanical operation | 100 |
|-------------------------------|-----|

Electrical Characteristics

| | |
|-----------------------|--------------|
| Rated Voltage, IEC | 400 V |
| Rated Voltage, UL | 600 V |
| Rated Voltage, CSA | 600 V |
| Rated Impulse Voltage | 4 kV |
| Rated Current, IEC | 23 A |
| Rated Current, UL | 10 A |
| Rated Current, CSA | 10 A |
| Contact Resistance | 1,5 - 4 mOhm |
| Degree of Soiling | 3 |

Materials and Surfaces

| | |
|---------------------------------------|----------------------------------|
| Contacts | Copper alloy, hard silver-plated |
| Insulating Body | PA |
| Flammability Class according to UL 94 | V0 |

Approvals

| | |
|----------------------------|--------|
| UL-Approval, E-File-Number | E75770 |
| VDE-Approval, VDE-REG.-Nr. | B437 |

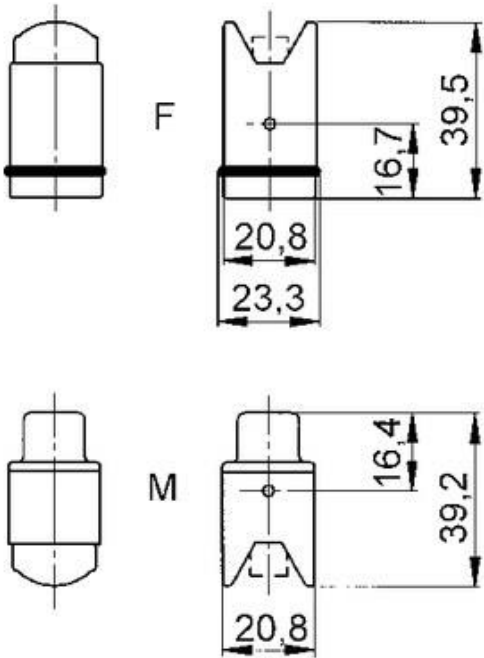
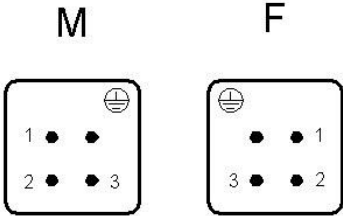
Standard

| | |
|------------------|--------------------|
| Product Standard | IEC 61984, UL 1977 |
|------------------|--------------------|

| | | |
|---|---------------------------------------|-------------|
| Creator: MANU2/PDP Released: IVSE1/PDP | Document: DB10420000EN Version: 00 | Page 1 of 3 |
|---|---------------------------------------|-------------|

| | |
|----------------------------------|---------------------------|
| DATA SHEET | 10420000 |
| EPIC® H-A 3 SS / H-A 3 BS | Valid from: 07.07.2015 |

Technical Drawings





| | |
|----------------------------------|---------------------------|
| DATA SHEET | 10420000 |
| EPIC® H-A 3 SS / H-A 3 BS | Valid from: 07.07.2015 |



Industrial machinery and plant engineering



Assembly time



Space requirement

Info

Robust power supply connector
Straight cable entry into the contacts

Application range

Machine and equipment manufacturings

Remark

Photographs are not to scale and do not represent detailed images of the respective products.

| | | |
|---|---------------------------------------|---------------------------|
| Creator: MANU2/PDP Released: IVSE1/PDP | Document: DB10420000EN Version: 00 | Page 3 of 3 |
|---|---------------------------------------|---------------------------|

We reserve all rights according to DIN ISO 16016.



DATA SHEET

19421900

EPIC[®] H-A 3 Agsv

Valid from:
20.07.2015

Description

- Innovative metal and plastic housing design
- Housing in plastic or metal version. For power supply in the smallest possible space



General characteristics

| | |
|-----------------------------|--|
| Series | H-A 3 |
| Version | Surface-mount base M20 |
| Locking mechanism | single lever |
| Cable gland installed | yes |
| Cable gland, clamping range | 3.0 – 13.5 mm |
| Protection rating | IP 65 (locked) |
| Temperature range | -40°C to +100°C, short-term up to +125°C |

Materials and surfaces

| | |
|---------|-------------------|
| Housing | PA, grey |
| Lever | zinc-plated steel |
| Gasket | NBR |

Approvals

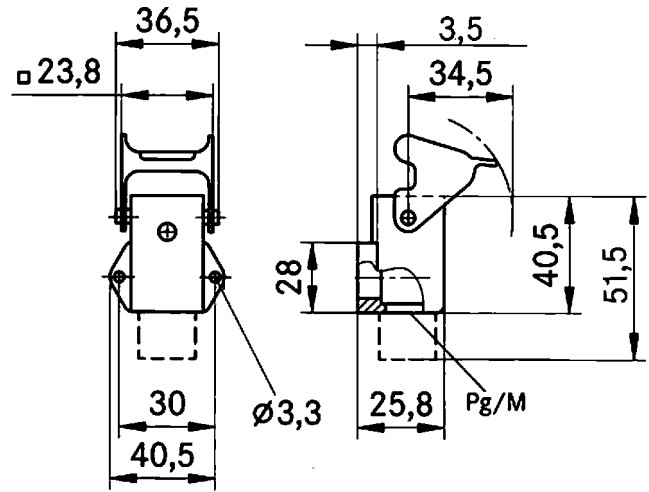
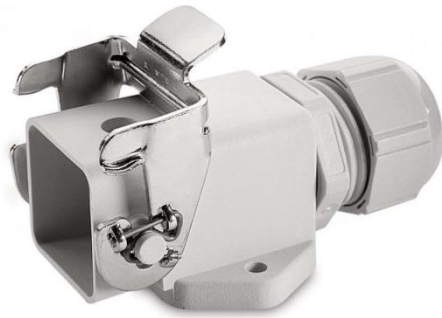
| | |
|----------------------------|------|
| VDE-Approval, VDE-REG.-Nr. | B437 |
|----------------------------|------|

Standards

| | |
|------------------|-----------|
| Product Standard | IEC 61984 |
|------------------|-----------|

| | |
|-------------------------|---------------------------|
| DATA SHEET | 19421900 |
| EPIC® H-A 3 Agsv | Valid from: 20.07.2015 |

Drawings



Industrial machinery and plant engineering



Mechanical resistance



Robust



Waterproof

Info

Compact, robust metal- and plastic housings size H-A 3

Application range

Machine and equipment manufacturing
Control engineering
Electronic laboratory

Remark

Photographs are not to scale and do not represent detailed images of the respective products.

| | | |
|---|---------------------------------------|-------------|
| Creator: MANA2/PDP Released: IVSE1/PDP | Document: DB19421900EN Version: 00 | Page 2 of 2 |
|---|---------------------------------------|-------------|