

Tactile switches

Order code	Manufacturer code	Description
78-1152	DTSA-62K	3.85MM RIGHT ANGLE TACT SWITCH (RC)
78-1154	DTSA-63K	5.85MM RIGHT ANGLE TACT SWITCH (RC)

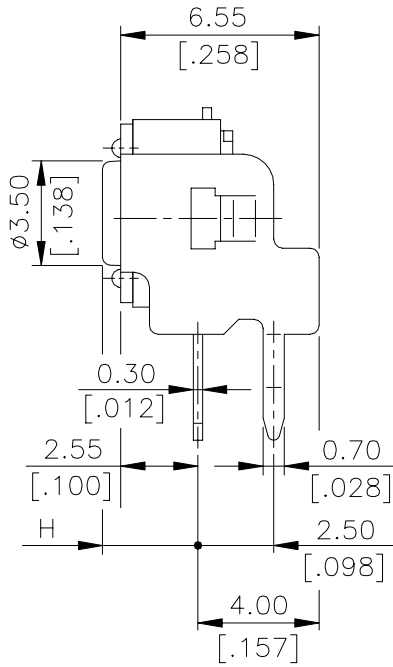
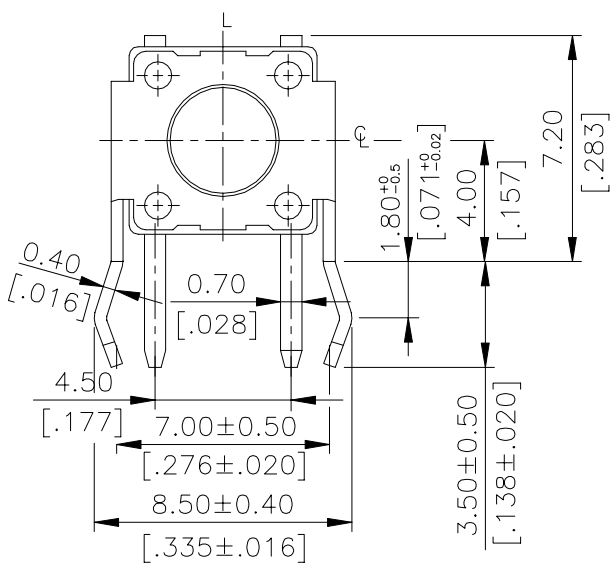
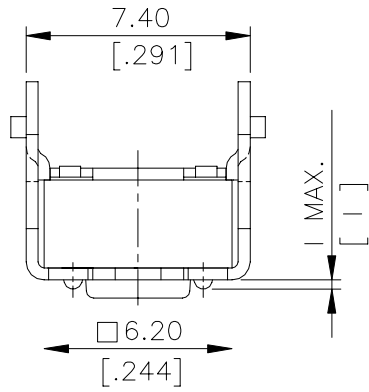
Tactile switches	Page 1 of 5
The enclosed information is believed to be correct, Information may change 'without notice' due to product improvement. Users should ensure that the product is suitable for their use. E. & O. E.	Revision A 12/12/2006



DTSA-6,DTSG-6(2) SERIES

DIMENSIONS

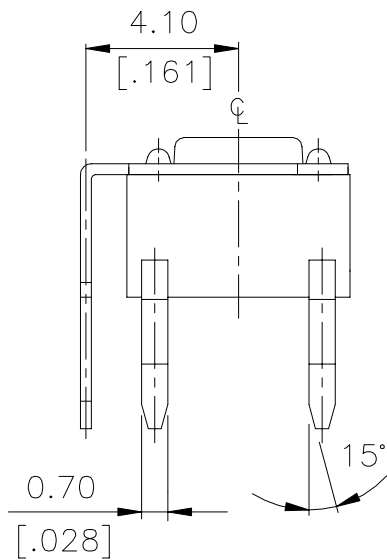
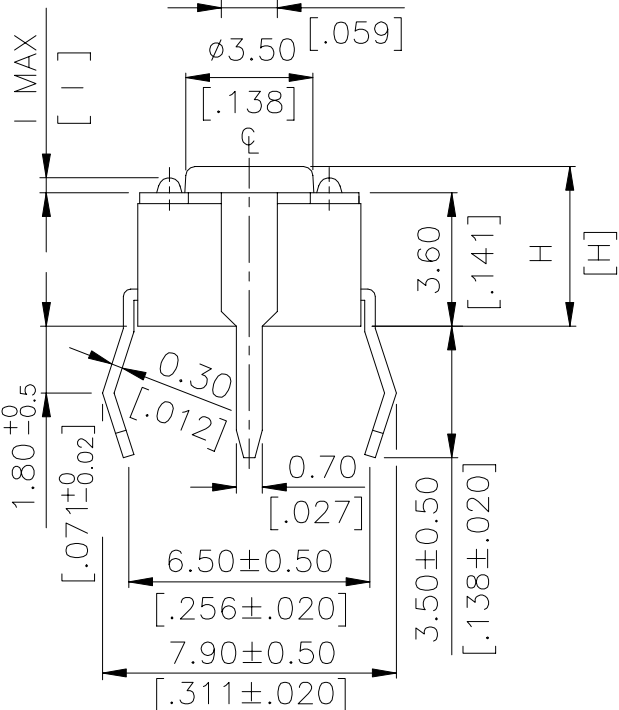
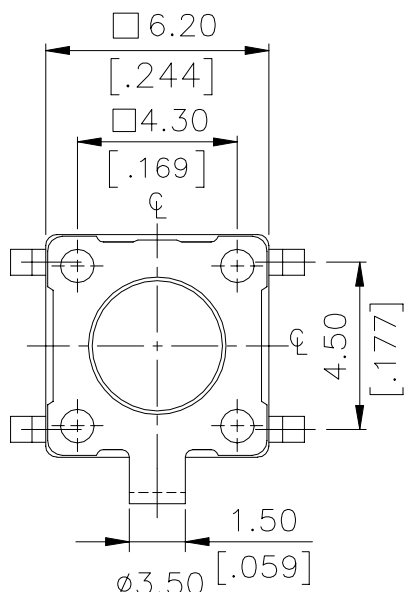
DTSA-6



DTSA-62~66 □	0.4 MAX	.016 MAX
DTSA-6 1 □	0.3 MAX	.012 MAX
PROD. NO.	I	INCHES.

DTSA-6 6 □	11.85 [.467]
DTSA-6 5 □	8.35 [.329]
DTSA-6 3 □	5.85 [.230]
DTSA-6 2 □	3.85 [.152]
DTSA-6 1 □	3.15 [.124]
PROD. NO.	H

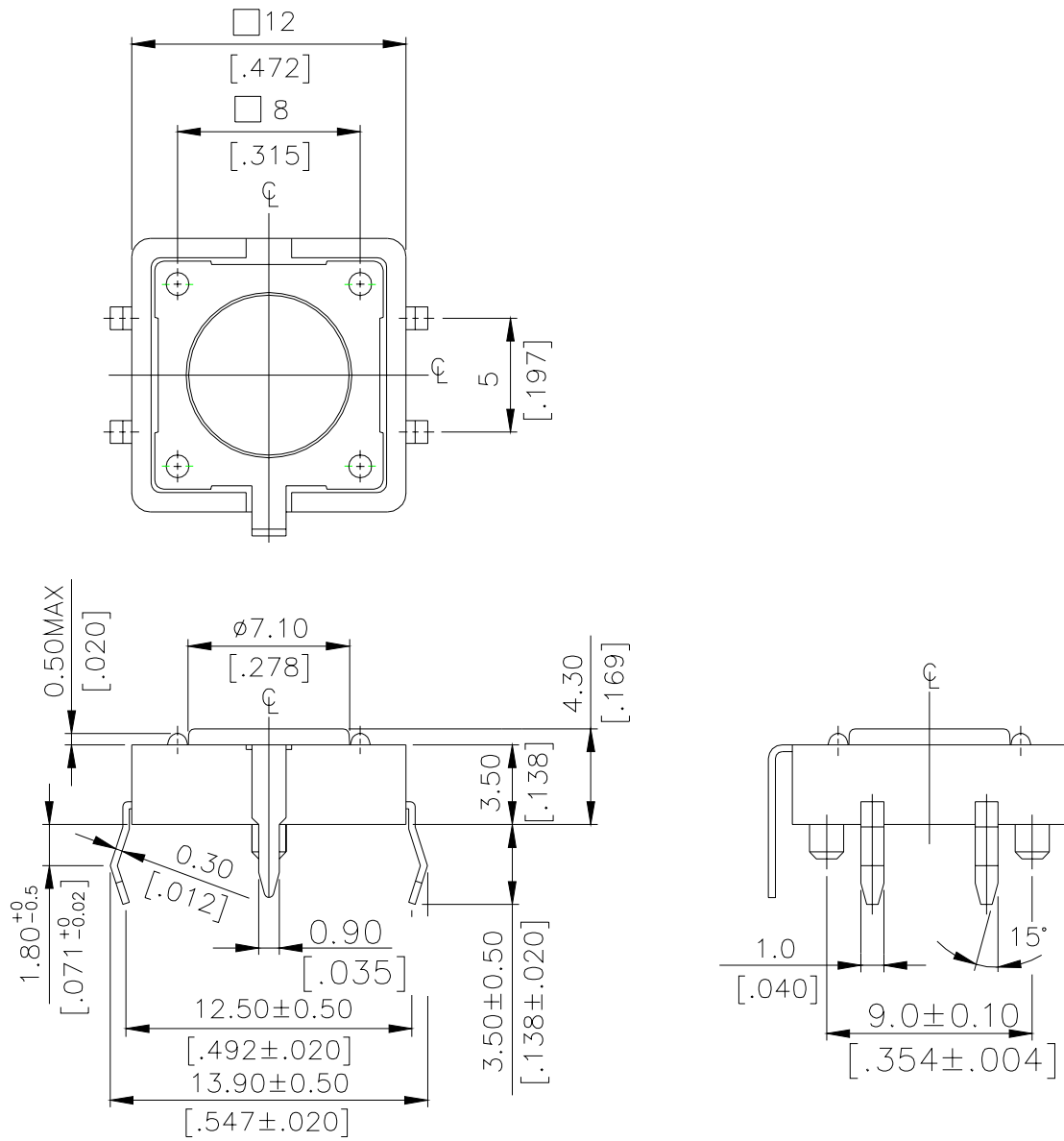
DTSG-6



DTSG-62~66 □	0.5 MAX	.0196 MAX
DTSG-6 1 □	0.4 MAX	.016 MAX
PROD. NO.	I	INCHES.

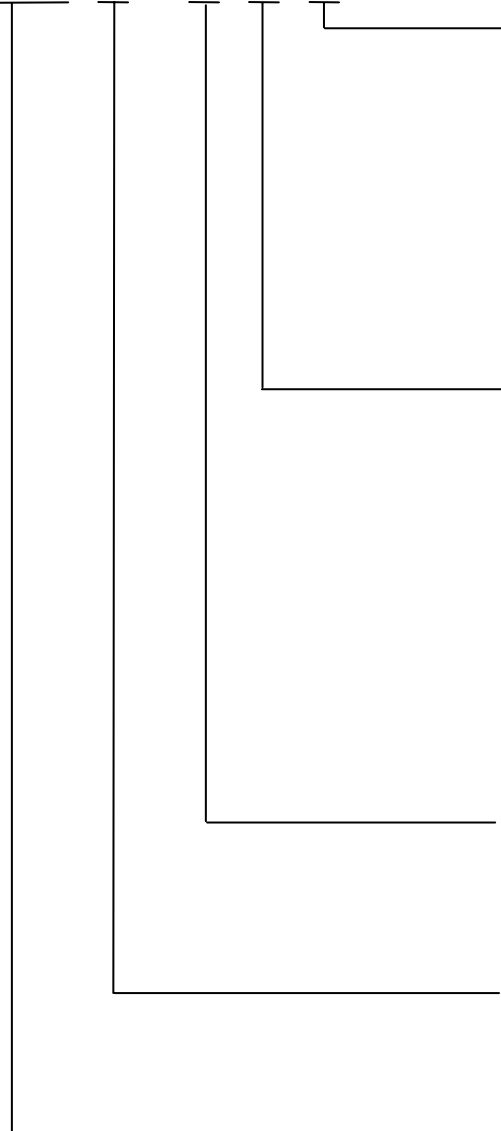
DTSG-6 6 □	13.0 [.512]
DTSG-6 5 □	9.5 [.374]
DTSG-6 4/8 □	7.3(SQ) [.287]
DTSG-6 3 □	7.0 [.275]
DTSG-6 2 □	5.0 [.197]
DTSG-6 1 □	4.3 [.169]
PROD. NO.	H

DTSG(P)-2



HOW TO ORDER

DTS



Cover of Stem For Operatin Force:
K = Black, 100gf
N = Brown, 160gf
R = Red, 260gf
S = Salmon, 320gf
Y = Yellow, 520gf
 < 12x12, K,Y Unavailable >

Dimension H:

Code	DTSA-6	DTSG-6	DTSG(P)-2
(SQ.)x2.4mm	1 = 3.15mm	4.3mm	4.3mm
(SQ.)X2.8mm	2 = 3.85mm	5.0mm	CODE(4)
	3 = 5.85mm	7.0mm	(SQ.)X3.8mm
	44 = 6.15mm	7.3mm	7.3mm
	48 = 6.15mm	9.5mm	
	5 = 8.35mm	13.0mm	
	6 = 11.85mm		

Prod. Size:
6 = 6 x 6 mm
2 = 12 x 12 mm

= None Post
P = With Post (For 12x12mm only)

DTSA = Right Angle Type Tactile Swtch
DTSG = With Ground Terminal Type Tactile Switch

SPECIFICATION

MECHANICAL

520 ± 130gf Yellow (Y)
320 ± 80gf Salmon (S)
Operation Force: 260 ± 50gf Red (R)
160 ± 50gf Brown (N)
100 ± 50gf Black (K)
Stop Strength: Max. 3kgf vertical static load continuously for 15 seconds.
Stroke: (6x6) 0.25 + 0.2 mm / - 0.1mm
(12x12) 0.35 ± 0.10 mm
Operation Temperature: -25 to +70
Storage Temperature: -30 to +80

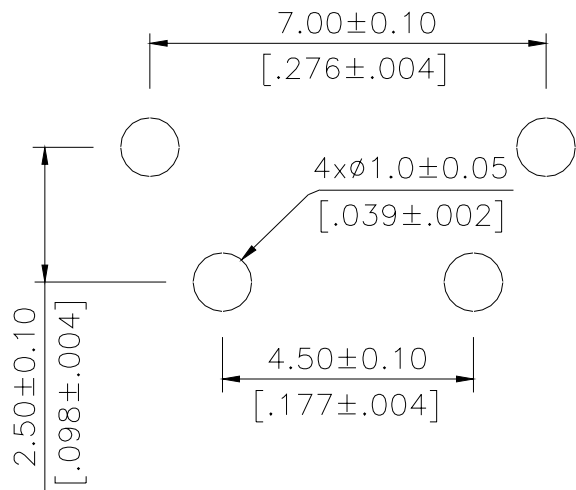
ELECTRICAL

Electrical Life: 300,000 cycles for 320gf, 520gf
500,000 cycles for 260gf
1,000,000 cycles for 100gf, 160gf
Rating: 50mA , 12VDC
Contact Resistance: 100mΩ max.
Insulation Resistance: 100MΩ min. at 500VDC
Dielectric Strength: 250VAC/ minute
Contact Arrangement: SPST

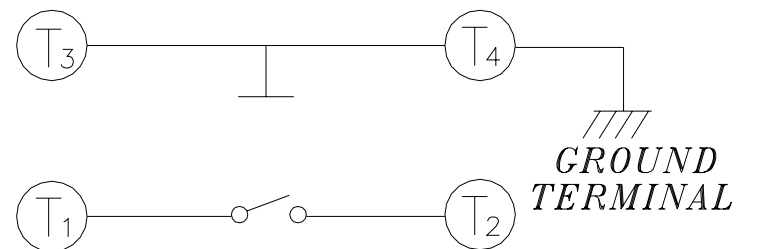
MATERIALS

COVER: Steel, Tin plated
BASE: UL94V-0, Nylon Thermoplastic
Color: Black
STEM: UL94V-0 Nylon Thermoplastic
Color: Black (100gf), Brown (160gf)
Red (260gf), Salmon (320gf)
Yellow (520gf)
CONTACT DISC: Phosphor bronze with silver cladding
TERMINAL: Brass with silver plating
CAP: Thermoplastic ABS

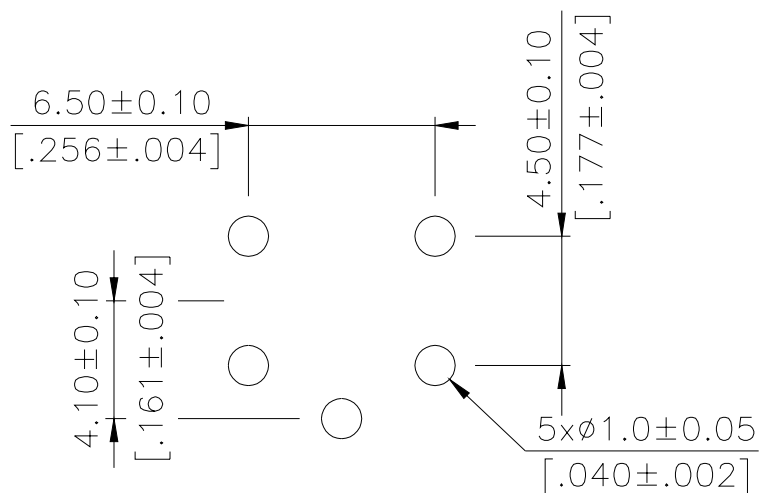
DTSA-6



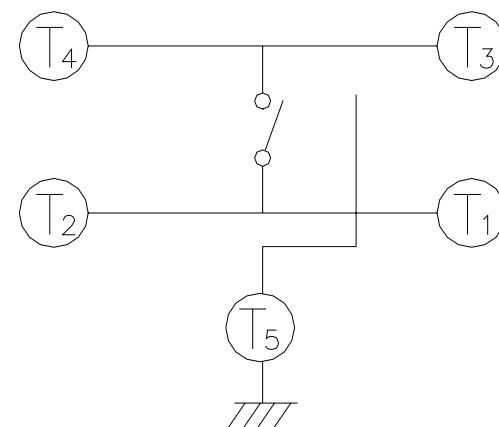
DTSA-6



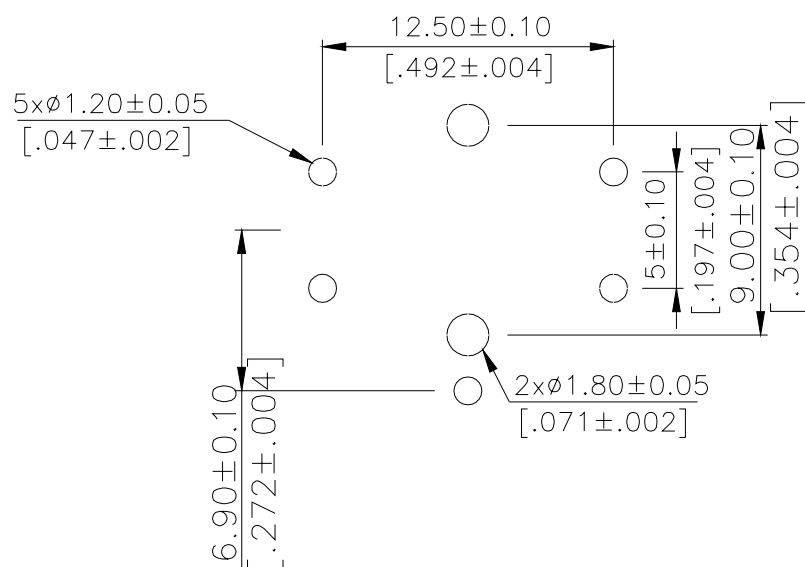
DTSG-6



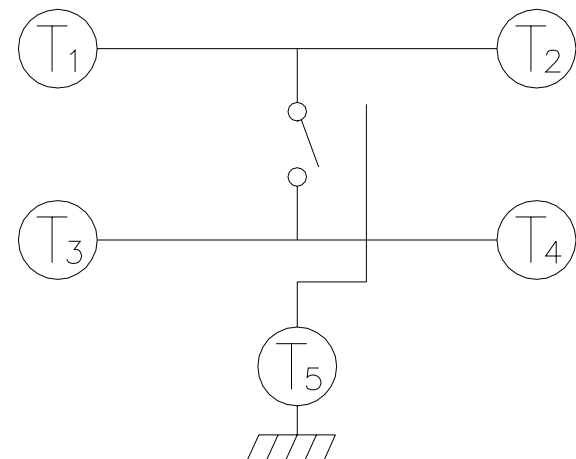
DTSG-6



DTSG(P)-2



DTSG(P)-2



P.C.B LAYOUT

CIRCUIT DIAGRAM

