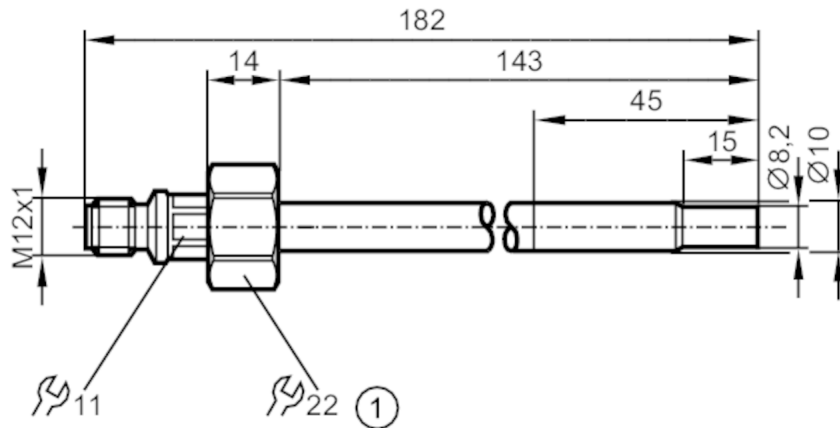


# SF5703



## Flow sensor for connection to an evaluation unit

SFD10ADT /US-100



1 Internal thread M18 x 1,5



### Product characteristics

Probe length L	[mm]	143
Process connection		M18 x 1,5 internal thread

### Application

Media		Liquids; Gases; aggressive media
Medium temperature	[°C]	-25...80
Pressure rating	[bar]	100

### Electrical data

Connection to control monitor		VS3000
-------------------------------	--	--------

### Measuring/setting range

Probe length L	[mm]	143
----------------	------	-----

#### Liquids

Setting range	[cm/s]	3...300
Greatest sensitivity	[cm/s]	3...60

#### Gases

Setting range	[cm/s]	200...3000
Greatest sensitivity	[cm/s]	200...800

### Accuracy / deviations

Temperature gradient	[K/min]	300
----------------------	---------	-----

### Response times

Response time	[s]	1...10
---------------	-----	--------

### Operating conditions

Storage temperature	[°C]	-25...80
Protection		IP 67

### Tests / approvals

Shock resistance		DIN IEC 68-2-27	50 g (11 ms)
Vibration resistance		DIN IEC 68-2-6	10 g (55...2000 Hz)
MTTF	[years]	8393.77	

# SF5703



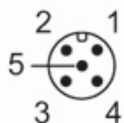
## Flow sensor for connection to an evaluation unit

SFD10ADT /US-100

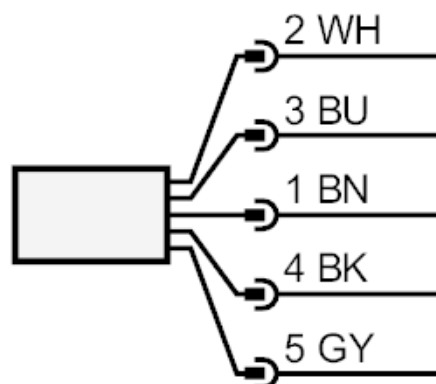
Mechanical data	
Weight [g]	75
Housing	for adapter
Dimensions [mm]	M18 x 1.5
Thread designation	M18 x 1.5
Materials	titanium (3.7035); EPDM; ULTEM
Materials (wetted parts)	titanium (3.7035); O-ring: FKM 80 Shore A
Process connection	M18 x 1,5 internal thread
Remarks	
Pack quantity	1 pcs.

### Electrical connection

Connector: 1 x M12; Maximum cable length: 100 m



### Connection



Core colours :

- BN = brown
- BU = blue
- BK = black
- WH = white
- GY = grey