

**M12 FEMALE 90° LED**

PUR 3X0.34 YELLOW, 15m

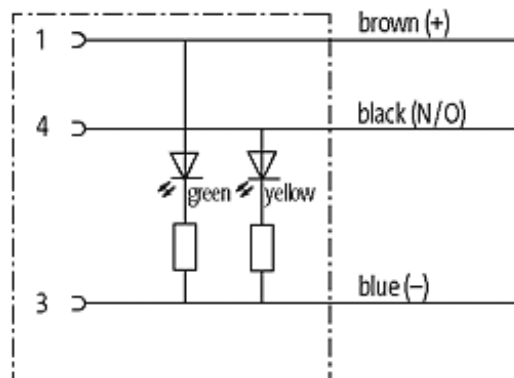
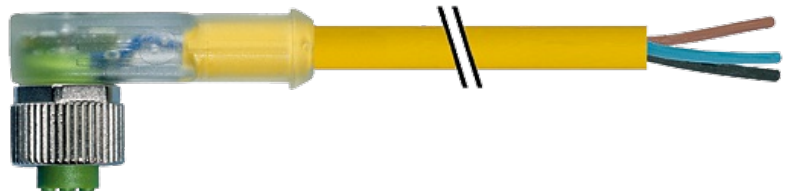
M12

Female 90°

3-pole with 2 × LED (PNP)

Art.-No. 7005 - M12 Lite - (plastic hexagonal screw) on request

Plastic housings with good resistance against chemicals and oils. The resistance to aggressive media should be individually tested for your application. Further details on request. Further cable lengths on request.

[Link to Product](#)**Illustration**

# Female



Product may differ from Image

## Approvals



## Form

12381

## Technical Data

|                               |  |
|-------------------------------|--|
| Operating voltage             | 24 V DC $\pm 25\%$   |
| Operating current per contact | max. 4 A   |
| Locking of ports              | Screw thread M12 $\times$ 1 mm (recommended torque 0.6 Nm) self-securing |
| Protection                    | IP67 inserted and tightened (EN 60529)                                   |

## Cables

|                       |                                 |
|-----------------------|---------------------------------|
| Cable number          | 023                             |
| No./diameter of wires | 3 $\times$ 0.34 mm <sup>2</sup> |
| Wire isolation        | PVC (br, bl, bk)                |

|                             |                  |
|-----------------------------|------------------|
| C-track properties          | 2 Mio.           |
| Jacket Color                | yellow           |
| Shore hardness outer jacket | 85 ± 5A          |
| Material (jacket)           | PUR/PVC (UL/CSA) |
| Outer diameter              | approx. 4.9 mm   |
| Bend radius (fixed)         | 10 × outer Ø     |
| Bend radius (moving)        | 15 × outer Ø     |
| Temperature range (fixed)   | -30...+80 °C     |
| Temperature range (mobile)  | -5...+80 °C      |

**Commercial data**

|                        |          |
|------------------------|----------|
| country of origin      | DE       |
| customs tariff number  | 85444290 |
| minimum order quantity | 1        |