

**MOSA M12 FEMALE 0° FIELD-WIREABLE (IDC)**4-pol. 0.5...1.0mm<sup>2</sup>

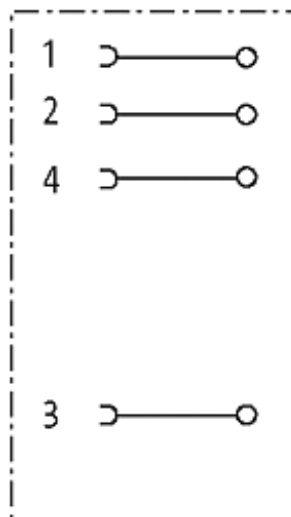
Female straight

4-pole

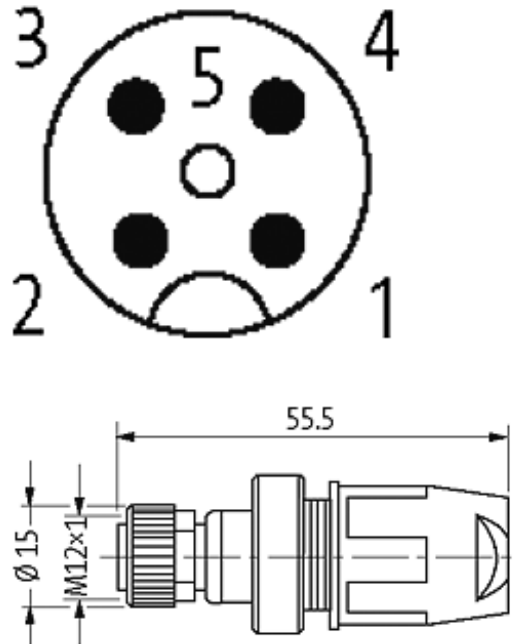
Connection cross section: 0.5...1.0 mm<sup>2</sup>

Art.-No. 7005 - M12 Lite - (plastic hexagonal screw) on request

Plastic housings with good resistance against chemicals and oils. The resistance to aggressive media should be individually tested for your application. Further details on request.

[Link to Product](#)**Illustration**

# Female



Product may differ from Image

## Approvals



## Form

12641

## Technical Data

Operating voltage	max. 32 V AC/DC
Operating current per contact	max. 4 A
Connection cross section	0.5...1.0 mm <sup>2</sup> (conductor diameter min. 0.1 mm)
Sealing range (cable diameter)	5.5...8 mm
Wire isolation	PVC, PP, TPE
Outer wire diameter	1.6...2.0 mm
Protection	IP67 inserted and tightened (EN 60529)
Locking of ports	Screw thread M12 × 1 mm (recommended torque 0.6 Nm) self-securing

## General data

Temperature range	-25...+85 °C
Dimensions H × W × D	55.1×22×22 mm

## Commercial data

The information in this brochure has been compiled with the utmost care.

Liability for the correctness completeness and topicality of the information is restricted to gross negligence. Version: 05/15

country of origin	DE
customs tariff number	85369010
minimum order quantity	1