

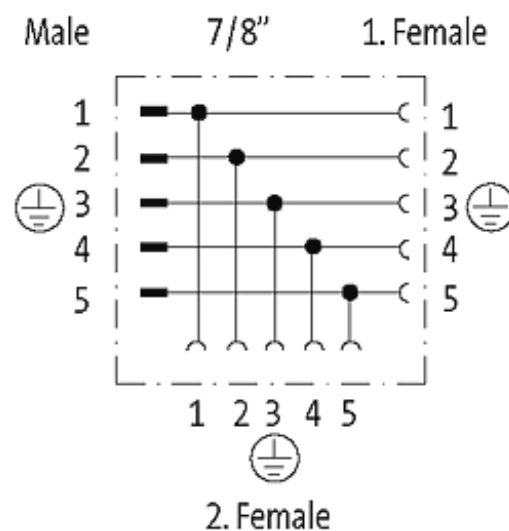
## 7/8"-T-COUPLER

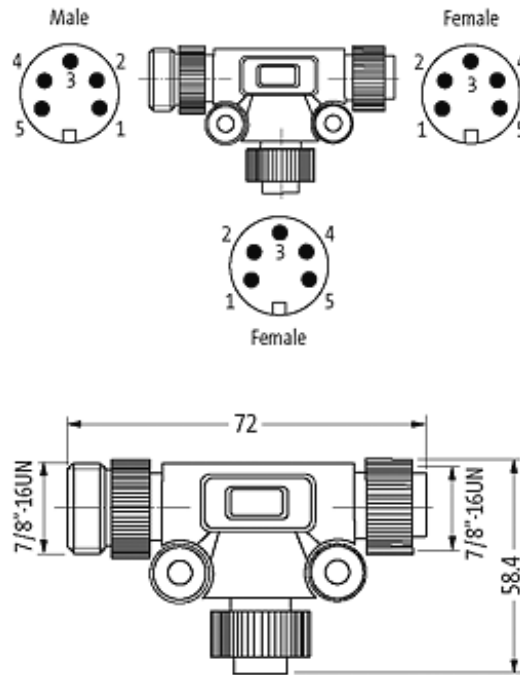
T-coupler 7/8" - 7/8"  
5-pole  
Parallel circuit

Further cable lengths on request. Plastic housings with good resistance against chemicals and oils. The resistance to aggressive media should be individually tested for your application. Further details on request.

### [Link to Product](#)

#### Illustration





Product may differ from Image

### Form

50061

### Technical Data

Operating voltage	max. 50 V AC/DC
Operating current per contact	max. 8 A
Protection	IP67 inserted and tightened (EN 60529)

### General data

Temperature range	-20...+80 °C
-------------------	--------------

### Commercial data

country of origin	PL
customs tariff number	85369010
minimum order quantity	1