



BASIC SWITCH W/O ACTUATOR HEAD MOLDED-PLASTIC ENCLOSURE, ACC. TO EN50047, ASISAFE INTEGRATED AS-I STATUS:1:F-IN1 , 2:F-IN2 3:AS-I/FAULT SLOW-ACTION CONTACTS 2NC, W/ M12 CONNECTOR 4-POLE CHANNEL 1 ON NC, CHANNEL 2 ON NC

Product designation		basic switch with ASIsafe
Manufacturer article number		
<ul style="list-style-type: none"> of the supplied basic switch 		3SF1234-1KC05-1BA1

General technical data:

Product function		
<ul style="list-style-type: none"> positive opening 		Yes
Insulation voltage		
<ul style="list-style-type: none"> Rated value 	V	30
Degree of pollution		class 3
Shock resistance		30g / 11 ms
Vibration resistance		0.35 mm / 5g
Surge voltage resistance Rated value	kV	0.8
Mechanical service life (switching cycles)		
<ul style="list-style-type: none"> typical 		15 000 000
Protection class IP		IP65
Equipment marking		
<ul style="list-style-type: none"> acc. to DIN EN 61346-2 acc. to DIN EN 81346-2 		B B
Active principle		mechanical
Repeat accuracy	mm	0.1
Minimum actuating force in activation direction	N	20

Enclosure:

Design of the housing		block, narrow
Material of the enclosure		plastic
Design of the housing acc. to standard		Yes

Drive Head:

Design of the operating mechanism		teflon plunger
Design of the switching function		positive opening

Connections/ Terminals:

Type of electrical connection		M12 plug, fixed, 4-pole
-------------------------------	--	-------------------------

Mechanical data:

Design of plug-in connection		M12 plug, 4-pole: Pin 1 = ASI+ , Pin 2 = not assigned, Pin 3= ASI-, Pin 4 = not assigned
------------------------------	--	--

Ambient conditions:

Ambient temperature		
• during operation	°C	-25 ... +60
• during storage	°C	-40 ... +80

Supply voltage:

Type of voltage of the supply voltage		
• of the optional LED indicator		DC
Supply voltage		
• of LED	V	24

Installation/ mounting/ dimensions:

mounting position		any
Mounting type		screw fixing

Certificates/ approvals:

General Product Approval	Declaration of Conformity	Test Certificates
---------------------------------	----------------------------------	--------------------------



[Special Test Certificate](#)

Further information

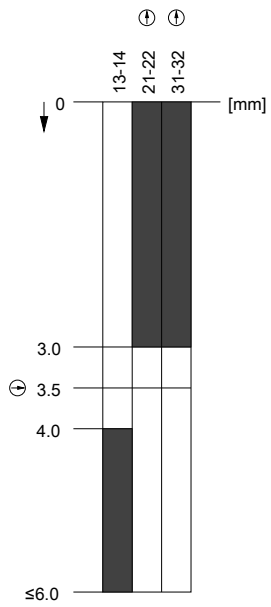
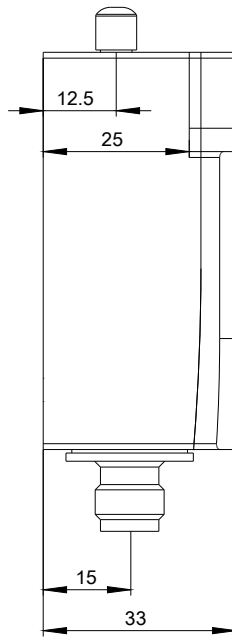
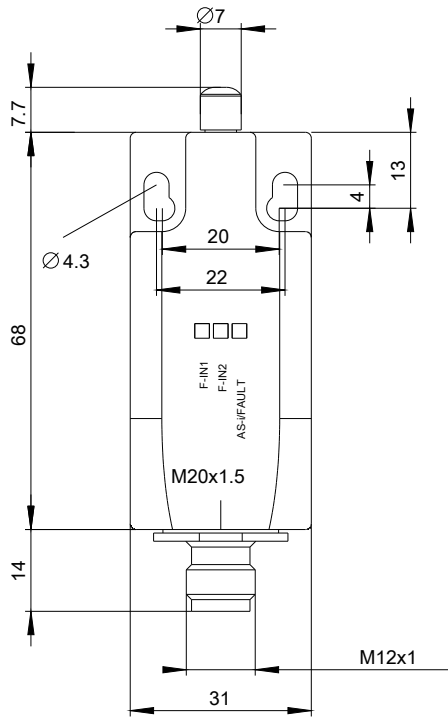
Information- and Downloadcenter (Catalogs, Brochures,...)
<http://www.siemens.com/industrial-controls/catalogs>

Industry Mall (Online ordering system)
<http://www.siemens.com/industrymall>

Cax online generator
<http://support.automation.siemens.com/WW/CAXorder/default.aspx?lang=en&mlfb=3SF12341KC051BA1>

Service&Support (Manuals, Certificates, Characteristics, FAQs,...)
<http://support.automation.siemens.com/WW/view/en/3SF12341KC051BA1/all>

Image database (product images, 2D dimension drawings, 3D models, device circuit diagrams, EPLAN macros, ...)
http://www.automation.siemens.com/bilddb/cax_de.aspx?mlfb=3SF12341KC051BA1&lang=en



last modified:

09.03.2015