



# EtherCon® B Series



AUDIO

[back](#)

[Print](#)

## NE8FBH-LED

The EtherCon® Series is a ruggedized and lockable RJ45 connector system, optimized for lightning network applications. The chassis connectors are shaped to fit into standardized entertainment industry. Various wiring applications and color coding are available. The B-Series offers a space saving design and a rugged metal front plate.



to and  
the

### PRODUCTS

Family shielded PCB mount RJ45 receptacle with B-Series cutout and latch lock, max. panel "Lighted EtherCon" offers a closed metal housing to avoid EMI or cross talking and two 3 mm LED to indicate data transmission, status, etc.

### ADDITIONAL INFO

- [Technical Info](#)
- [EtherCon LED Compliance](#)
- [Drawing \(PDF\)](#)
- [Drawing \(DXF\)](#)
- [EtherCon® Product Guide](#)

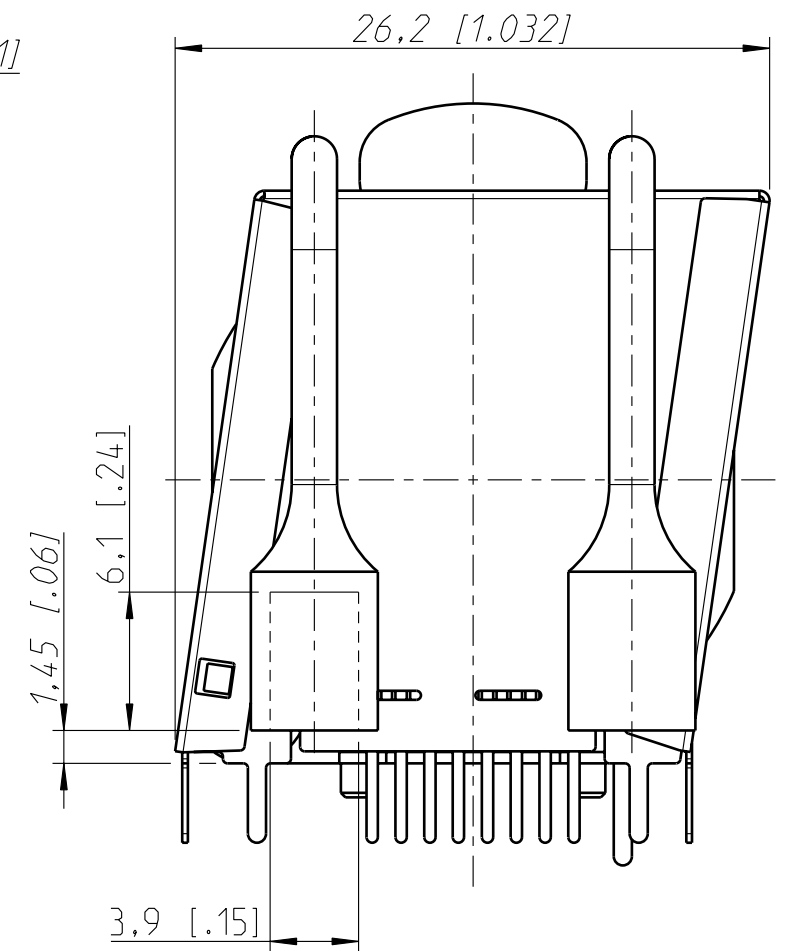
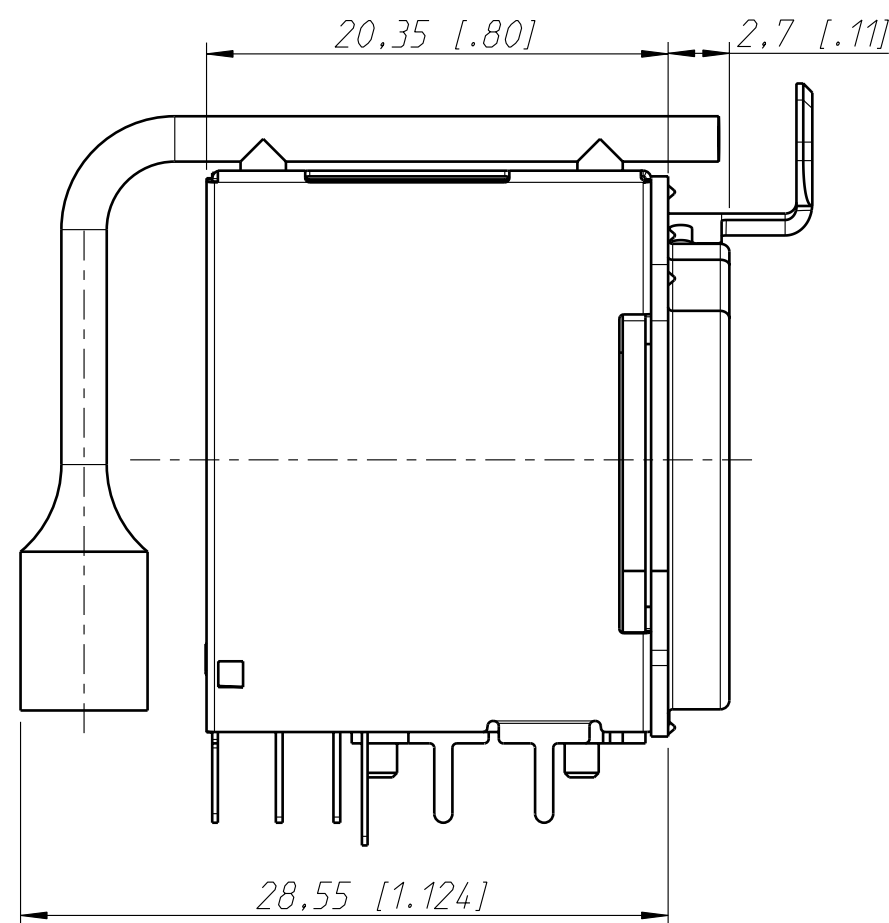
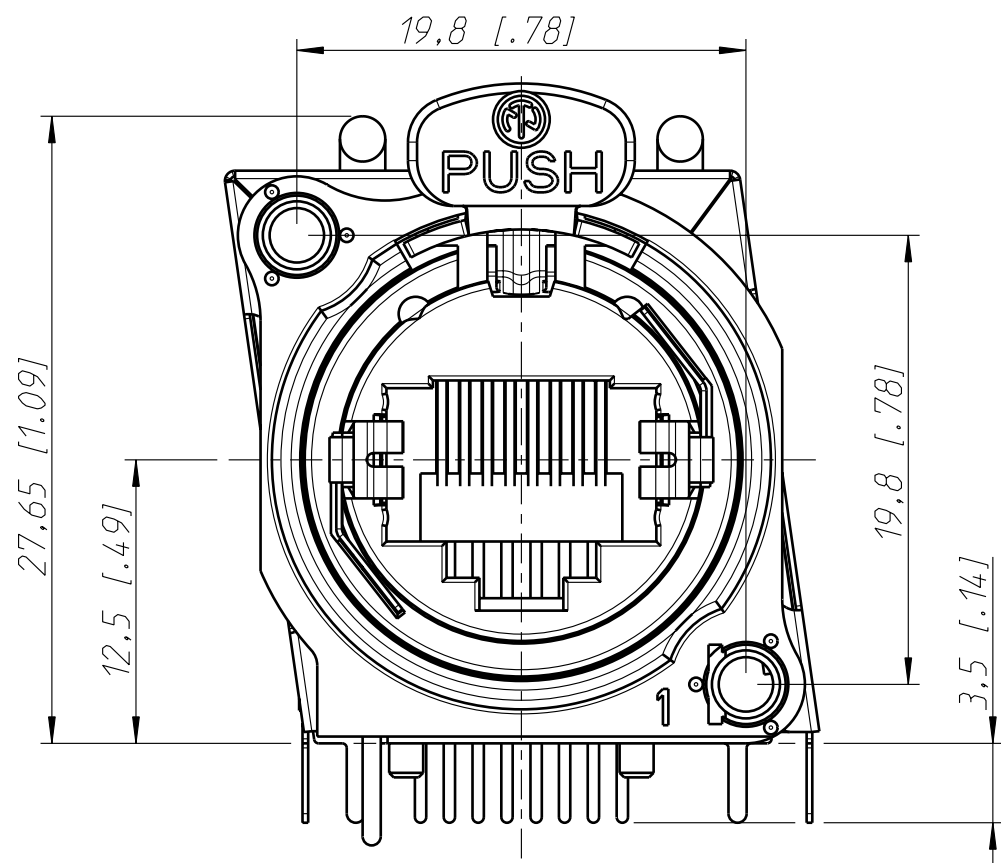
### Features & Benefits

- Accommodates rugged EtherCon® NE8MC\* or any standard RJ45 plug
- Approved latch lock system
- Offers various illuminating indication possibilities by means of two separate light pipes
- Light pipes illuminated by standard 3 mm LEDs to be mounted on PCB by customer
- Comprehensive shielding granted by completely closed metal housing
- Complies with Class D according to TIA / EIA 568B and ISO / IEC 11801 standard
- Ground panel connection

### ACCESSORIES

#### A-SCREW-1-8

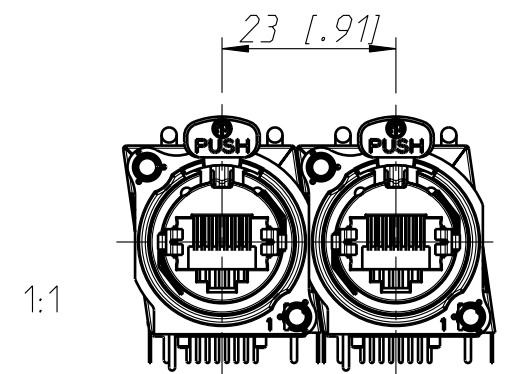
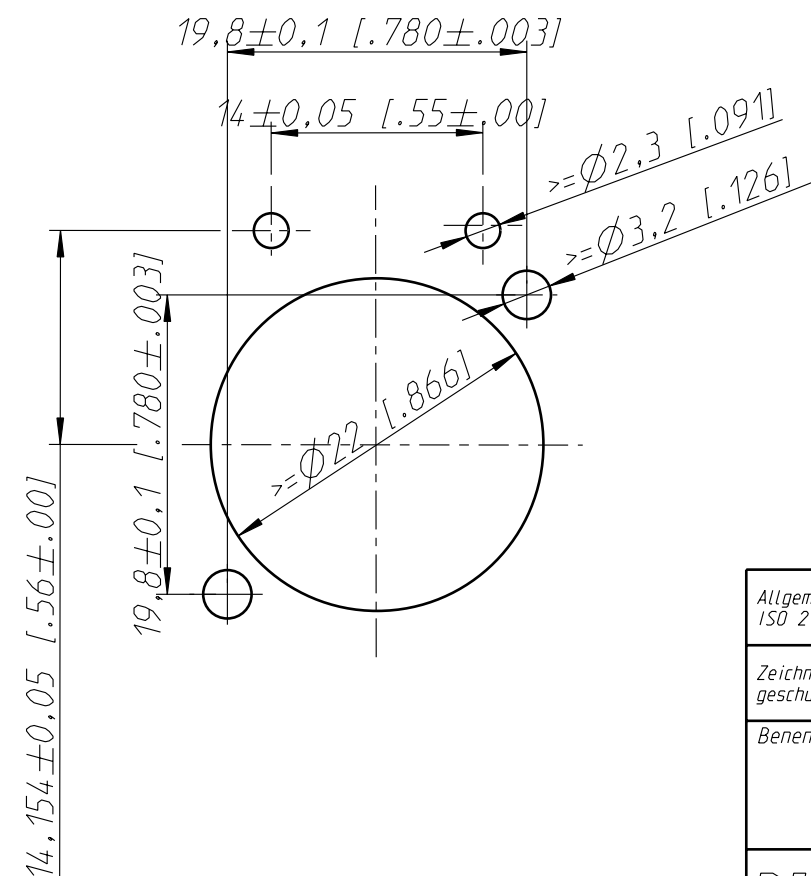
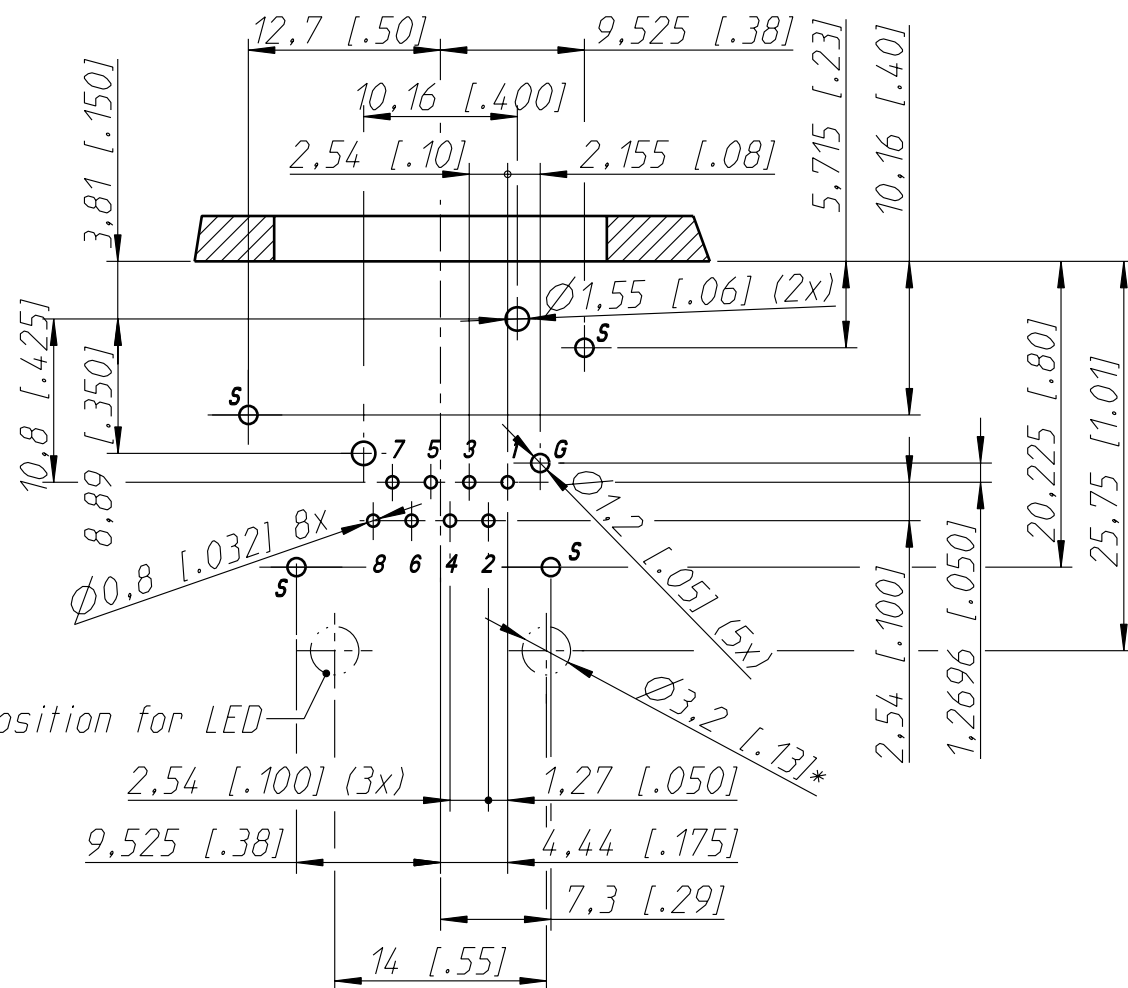




2:1 Print Bohrplan Bestückungsseite  
PCB-Layout (component side)

2:1 Frontplattenausschnitt (Rückseite)  
Panel cut out (rear side)

min. Einbauabstand  
min. assembling distance



\* max. diameter of LED in Lightpipe  
max. LED-Durchmesser im Lichtrohr

position for LED

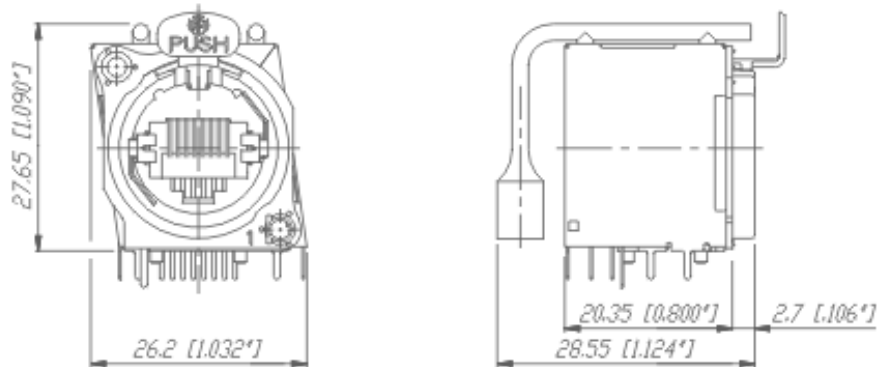
Allgemeintoleranzen ISO 2768-m	Werkstoff KEIN_MAT	Massstab: 3:1 (A3)	Gezeichnet	07.01.05	Dobler
			Freigegeben	-	-
Zeichnung urheberrechtlich geschuetzt (DIN 34) (C)	-	-	Geaendert	10.01.05	Dobler
			Aend.-Nr.	-	Aend.-Index A
Benennung NE8FBH-LED			Ersatz fuer:	Blatt 1 von 2 Bl.	
NEUTRIK AG FL-9494 SCHAAN			Zeichn. Nr.	ST-NE8FBH-LED	



## EtherCon® B Series



### NE8FBH-LED



There are no technical infos for this product.

Product	
Connector Type	RJ45
Gender	female
Electrical	
Contact resistance	< 10 mΩ
Dielectric strength	1 kVdc
Frequencyrange	1 - 100 MHz
Insulation resistance	> 0.5 GΩ
Rated current per contact	1,5 A
Rated voltage	50 V
Transmission performance	Class D
Standard compliance	TIA / EIA 568B and ISO / IEC 11801
Mechanical	
Insertion force	≤ 20 N
Withdrawal force	≤ 20 N
Lifetime	> 1000 mating cycles
Panel thickness	max. 3 mm 0.12"
Wiring	Horizontal PCB mount
Locking device	latch lock
Mounting direction	rear
Chassis shape	B

**Material**

Contact plating	0.2 µm Au over Ni plating
Contacts	Bronze (CuSn8)
Insert	PBTP 15 % GR
Shell	Zinc diecast (ZnAl4Cu1)
Shell plating	Nickel

**Environmental**

Standard compliance	TIA/EIA 586B, IEC11801
Solderability	Complies with IEC 68-2-20
Temperature range	-30 °C to +80 °C

**Optical****Mobile Cables**