

**Air Checker
Electronic Pressure Switch**

Series PS1000

(For positive pressure)

PS1100

(For vacuum)

For General Pneumatics



Small, lightweight
electronic pressure switch

Extremely compact (1/3 size comparing with series ZSE2)

13W X 10H X 30L (mm) (Standard type without connection part)

2 wire switch

Applicable to either NPN or PNP output.

Easy mounting

Plug-in port for One-touch fittings.

Wide calibration range

Calibration: -0.1 to 0.45 MPa is possible
with one pressure switch.

High visibility

A large LED indicator for high visibility.

How to Order

PS 00 — R06 L

Output specifications

10	2 wire system (for positive pressure)
11	2 wire system (for vacuum and residual pressure)

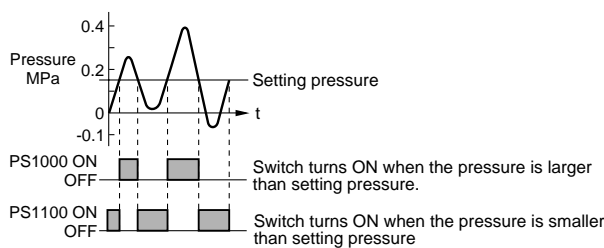
Lead wire length

L	3m
----------	----

Port size

R06	ø6 reducer
R07	1/4 inch reducer

Switch specifications



Pressure MPa vs t graph showing setting pressure and ON/OFF states for PS1000 and PS1100.

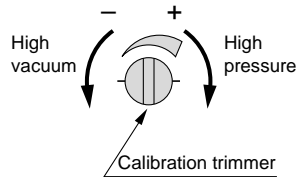
Specifications

Model	PS1000-□L	PS1100-□L
Switch output	Present prss. ≥ Setting prss.: ON	Present prss. ≤ Setting prss.: ON
Max. pressure	1MPa	
Oper. Press. range	-0.1 to 0.45MPa	-0.1 to 0.4MPa
Fluid	Air, Non corrosive gas	
Operating display	ON: When red LED turns on	
Temp. specs.	±3% F.S. or less	
Repeatability	±1% F.S. or less	
Hysteresis	4% F.S.	
Load voltage	12 to 24V DC (Ripple ±10% or less)	
Load current	5 to 40mA	
Leakage	1mA or less	
Int. voltage drop	5V or less	
Operating temp. range	0 to 60°C (No condensation)	
Insulation resistance	Between external terminals and case 2MΩ (500V DC at megameter)	
Voltage resistance	Between external terminals and case 1000V AC 50/60Hz for 1 min.	
Vibration resistance	10 to 500Hz Pulse width 1.5mm or acceleration 98m/s ² (at the smaller vibration) in X, Y, Z directions (2 hours)	
Shock resistance	980m/s ² X, Y, Z directions (3 times for each direction)	
Weight	5g (Excluding lead wire)	
Port size	ø6 reducer, 1/4 inch reducer	
Construction	IP40	
Lead wire	Grommet oil-proof cabtire cord 2 wires ø2.55, 0.18mm ² , 3m	

- PS□
- ZSE□
- ISE□
- PS**
- ISA
- IS□
- ZSM
- PF□
- IF□

Pressure Switch Calibration

- Use the calibration adjustment to set ON pressure.
- Rotate clockwise to increase pressure setpoint. For setting vacuum, rotate counterclockwise.
- Use a bladed screw driver to adjust the setpoint.

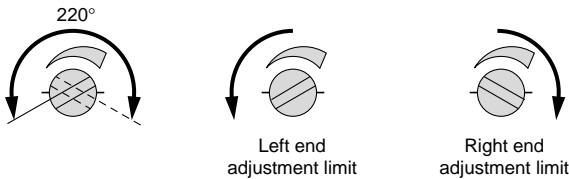


Caution

Be sure to read before handling. Refer to p.0-26 and 0-27 for Safety Instructions, precautions on the products mentioned in this catalogue and common precautions, and refer to p.3.0-7 to p.3.0-9 for precautions on every series.

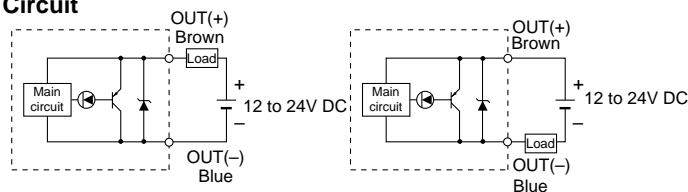
Trimmer

Rotation angle of the trimmer is 220°. There is a stop provided to prevent the trimmer to rotate beyond its limits. Rotation beyond the limit can damage the trimmer. Adjust the trimmer gently within the rotation angle.

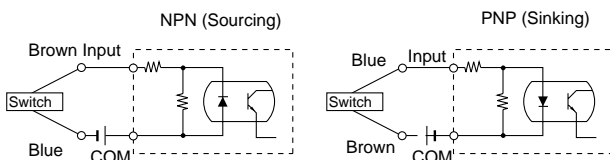


Internal Circuit/Wiring

Circuit



Example connection with a PLC



Dimensions

