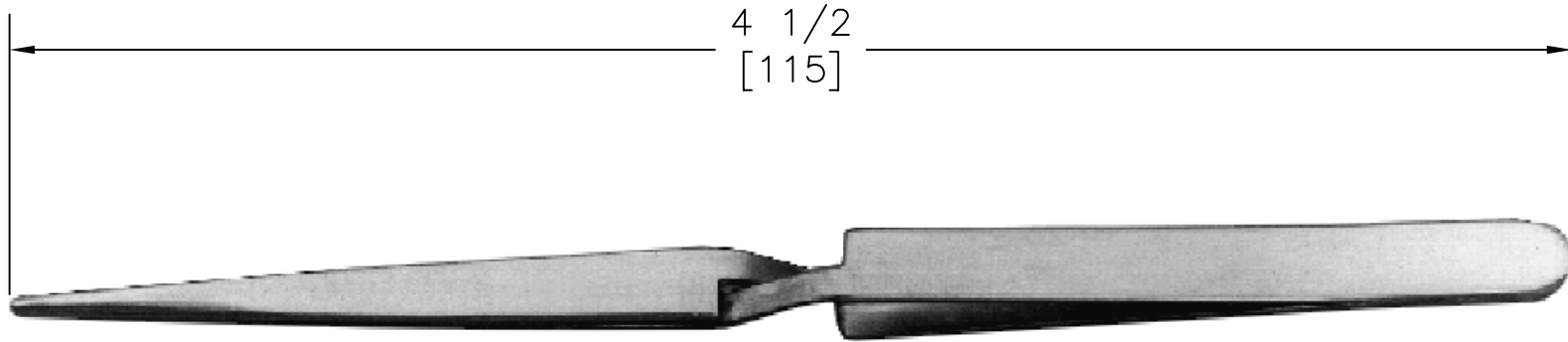



© COPYRIGHT 1998 BY SPC TECHNOLOGY. ALL RIGHTS RESERVED. NO PORTION OF THIS PUBLICATION, WHETHER IN WHOLE OR IN PART CAN BE REPRODUCED WITHOUT THE EXPRESS WRITTEN CONSENT OF SPC TECHNOLOGY.

REVISIONS			DOC. NO. SPC-F005, Total Pages: 2 Effective: 7/15/97. DCP No: 229 Supersedes DCP No: 103					
DCP #	REV	DESCRIPTION	DRAWN	DATE	CHECKD	DATE	APPRVD	DATE
145	A	RELEASED	J.W.M.	9/28/98				



Material: Stainless Steel

<small>DISCLAIMER: ALL STATEMENTS AND TECHNICAL INFORMATION CONTAINED HEREIN ARE BASED UPON INFORMATION AND/OR TESTS WE BELIEVE TO BE ACCURATE AND RELIABLE. SINCE CONDITIONS OF USE ARE BEYOND OUR CONTROL, THE USER SHALL DETERMINE THE SUITABILITY OF THE PRODUCT FOR THE INTENDED USE AND ASSUME ALL RISK AND LIABILITY WHATSOEVER IN CONNECTION THEREWITH.</small>			 SPC TECHNOLOGY				
<i>Unless Otherwise Specified: Dimensions are shown for reference only!</i>	DRAWN BY:	DATE:	DRAWING TITLE: Self Locking Tweezer – Straight Narrow Tip				
	Jeff McVicker	9/28/98					
	CHECKED BY:	DATE:	SIZE	DWG. NO.	ELECTRONIC FILE	REV	
	John Cole	10/15/98	A	1370	92N3651.dwg	A	
APPROVED BY:	DATE:	SCALE: NTS		U.O.M.: INCHES [mm]		SHEET: 1 OF 1	
Dan Carey	10/15/98						