

Precision Universal Joints similar to DIN 808

These single and double universal joints feature a simple design with very small tolerances and high precision and performance. A special grinding process realizes a perfect parallelism of the axes and the single parts of the joints - this guarantees an

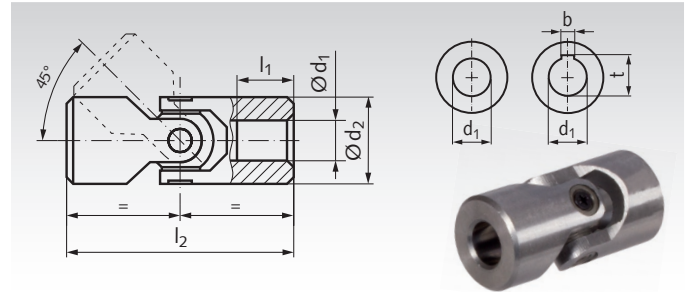
extremely long service life. All contact surfaces are hardened, ground and lapped. These universal joints are used at high torques and high speeds up to max. 800 min⁻¹.

Single Precision Universal Joints WE Similar to DIN 808

Material: Steel 35SMnPb10, Bearing Parts 18NiCrMo5Pb.
Contact surfaces hardened, ground and lapped.

Max. Operating Angle 45°.

Optionally without or with keyway DIN 6885-1, on both sides.



Ordering Details: e.g.: Product No. 631 215 00, Universal Joint WE, 6 mm Bores, without Keyway

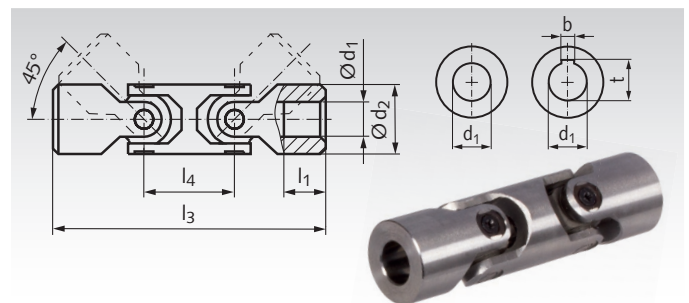
Product No. without keyway	Product No. with keyway	d ₁ ^{H7} mm	d ₂ mm	l ₁ mm	l ₂ mm	b ^{J59} mm	t mm	perm. max. Torques at different Speeds				Weight kg
								100 min ⁻¹ Nm	200 min ⁻¹ Nm	400 min ⁻¹ Nm	800 min ⁻¹ Nm	
631 215 00	-	6	16	9	34	-	-	7	6,5	5,5	-	0,04
631 216 00	631 216 00N	8	16	11	40	2	9,0	14	10	8	5,4	0,04
631 218 00	631 218 00N	8	18	11	40	2	9,0	16	11	9	6,1	0,07
631 220 00	631 220 00N	10	22	10	45	3	11,4	33	22	17	9,7	0,09
631 222 00	631 222 00N	10	22	12	48	3	11,4	33	22	17	9,7	0,10
631 226 00	631 226 00N	12	25	11	50	4	13,8	56	33	22	15,6	0,20
631 227 00	631 227 00N	12	26	13	56	4	13,8	56	33	22	15,6	0,16
631 229 00	631 229 00N	14	29	13	56	5	16,3	89	56	47	34,4	0,18
631 230 00	631 230 00N	14	29	17	60	5	16,3	89	56	47	34,4	0,21
631 232 00	631 232 00N	16	32	15	65	5	18,3	112	109	75	47	0,33
631 233 00	631 233 00N	16	32	18	68	5	18,3	112	109	75	47	0,34
631 237 00	631 237 00N	18	37	17	72	6	20,8	203	156	94	-	0,39
631 238 00	631 238 00N	18	37	18	74	6	20,8	203	156	94	-	0,42
631 240 00	631 240 00N	20	40	19	82	6	22,8	312	218	125	-	0,54
631 242 00	631 242 00N	20	42	19	82	6	22,8	312	218	125	-	0,62
631 247 00	631 247 00N	22	47	22	95	6	24,8	390	250	156	-	0,86
631 250 00	631 250 00N	25	50	26	108	8	28,3	499	312	187	-	1,06
631 252 00	631 252 00N	25	52	26	105	8	28,3	499	312	187	-	1,31
631 258 00	631 258 00N	30	58	30	122	8	33,3	562	343	203	-	1,67
631 270 00	631 270 00N	35	70	35	140	10	38,3	593	390	226	-	2,76
631 280 00	631 280 00N	40	80	42	160	12	43,3	655	437	281	-	4,28

Double Precision Universal Joints WD similar to DIN 808

Material: Steel 35SMnPb10, Bearing Parts 18NiCrMo5Pb.
Contact surfaces hardened, ground and lapped.

Max. Operating Angle 90°.

Optionally without or with keyway DIN 6885-1, on both sides.



Ordering Details: e.g.: Product No 631 715 00, Universal Joint WD, 6 mm Bores, without Keyway

Product No. without keyway	Product No. with keyway	d ₁ ^{H7} mm	d ₂ mm	l ₁ mm	l ₃ mm	l ₄ mm	b ^{J59} mm	t mm	perm. max. Torques at different Speeds				Weight kg
									100 min ⁻¹ Nm	200 min ⁻¹ Nm	400 min ⁻¹ Nm	800 min ⁻¹ Nm	
631 715 00	-	6	16	9	61	27	-	-	6,3	5,8	4,9	-	0,07
631 716 00	631 716 00N	8	16	11	67	27	2	9,0	12,6	9,0	7,2	4,8	0,07
631 720 00	631 720 00N	10	20	10	75	30	3	11,4	22	15,3	11,7	6,7	0,08
631 726 00	631 726 00N	12	22	11	74	29	4	13,8	33	22	17	9,7	0,13
631 729 00	631 729 00N	14	25	13	85	33	5	16,3	56	33	22	15,6	0,19
631 732 00	631 732 00N	16	29	19	100	35	5	18,3	89	56	47	34,4	0,31
631 737 00	631 737 00N	18	32	20	112	39	6	20,8	112	109	75	47	0,44
631 740 00	631 740 00N	20	40	19	128	46	6	22,8	312	218	125	-	0,82
631 747 00	631 747 00N	22	40	25	145	48	6	24,8	312	218	125	-	0,94
631 750 00	631 750 00N	25	50	24	163	59	8	28,3	499	312	187	-	1,56
631 758 00	631 758 00N	30	58	28	182	66	8	33,3	562	343	203	-	2,43
631 770 00	631 770 00N	35	70	32	212	78	10	38,3	593	390	226	-	4,01
631 780 00	631 780 00N	40	80	38	245	95	12	43,3	655	437	281	-	6,55