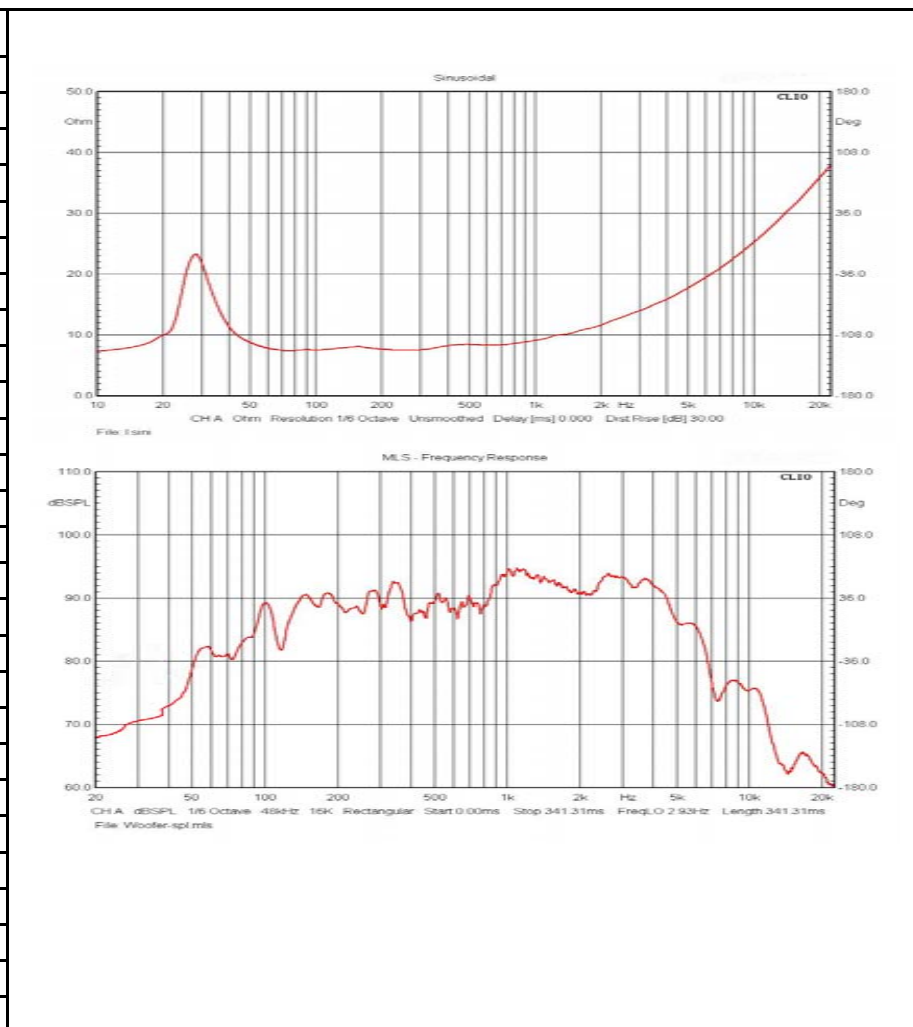


MCM AUDIO SELECT™

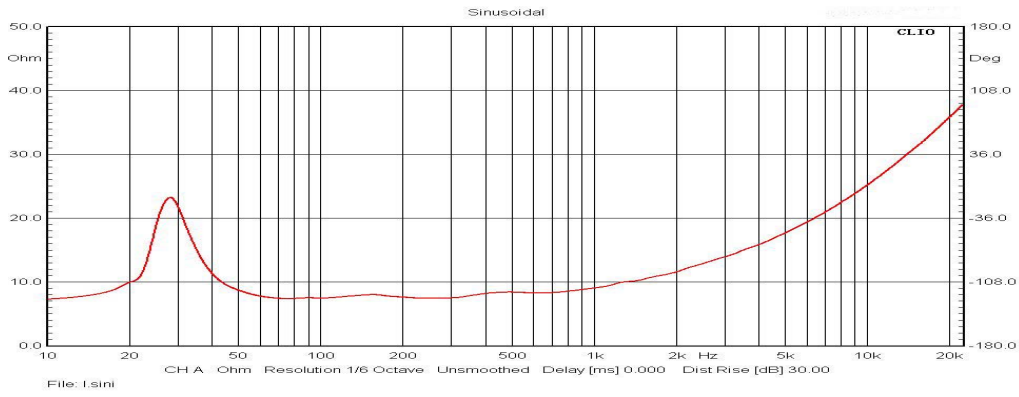
SPEAKER SPECIFICATIONS

Model Number:	55-2971	
GENERAL SPECIFICATIONS		
Nominal Diameter:	8 inch	
Rated Impedance:	8 ohms	
Operating Bandwidth:	50-6k hz (-3dB)	
Power Handling Capacity:	70 Watts	
Sensitivity (1W/M):	89 dB(+3dB)	
Voice Coil Diameter:	1 inch	
THIELE-SMALL PARAMETERS		
Resonance Frequency	Fs:	28.8 HZ
DC Resistance	Re:	7.2 ohm
Mechanical Q Factor	Qms:	3.4
Electrical Q Factor	Qes:	0.5226
Total Q Factor	Qts:	0.4529
Equivalent Cas air load	Vas:	98.26 L
Surface Area of Cone	Sd:	0.0216 m ²
Efficiency Bandwidth Product	EBP	55.1
Voice Coil Over Hang	X-max	3.5 mm
Voice Coil Inductance	Le	0.5645mH
PHYSICAL INFORMATION		
Basket:	Pressed steel chassis	
Magnet Type:	20 OZ	
Cone Material:	PP	
Surround:	Rubber	
Dust Cap:	PP	
Damper:	cloth	

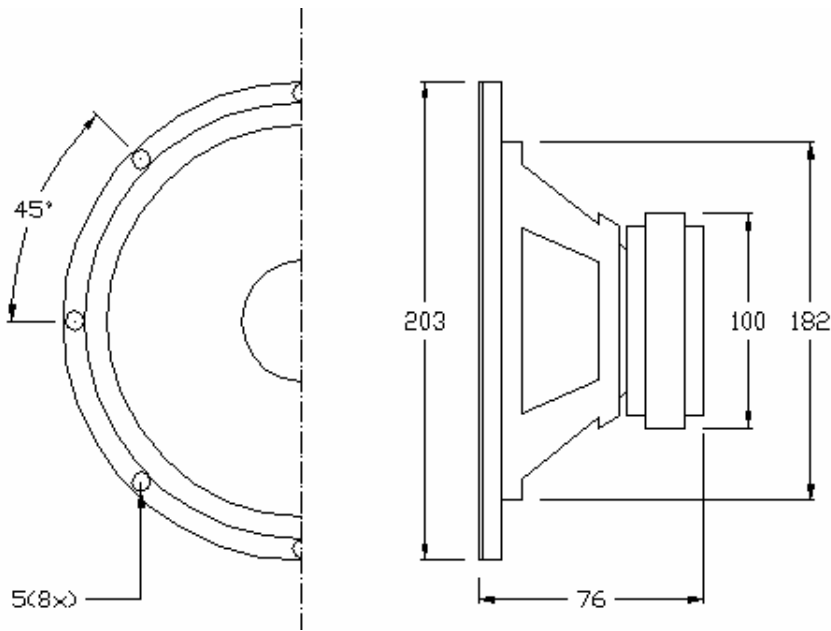
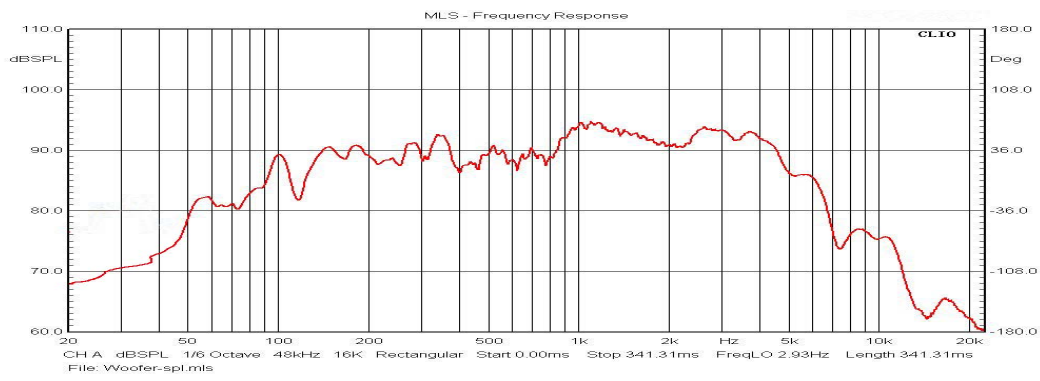


Date: 2010/6/28

Impedance Curve



Response Curve



55-2971