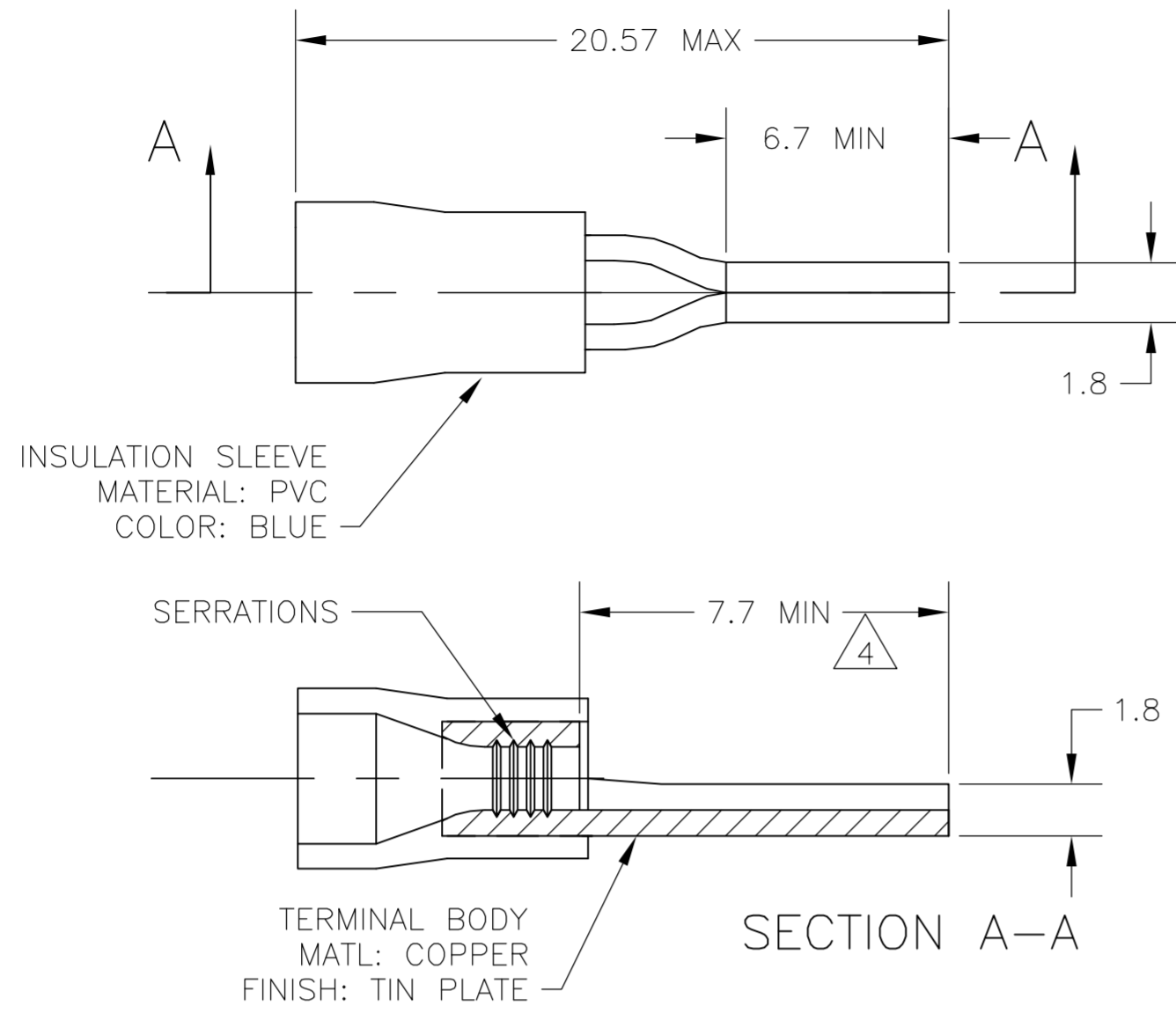


THIS DRAWING IS UNPUBLISHED. RELEASED FOR PUBLICATION
 © COPYRIGHT BY TYCO ELECTRONICS CORPORATION. ALL RIGHTS RESERVED.

LOC	DIST	REVISIONS			
P	LTR	DESCRIPTION	DATE	DWN	APVD
G	02	G1	REV PER ECR-06-001930	13FEB06	HMR TM



- 1 WIRE SIZE IS #16-#14 AWG
- 2 INSULATION DIA: 3.0-4.9
- 3 MATERIAL THICKNESS IS 0.8
- 4 DIMENSION APPLIES FROM EDGE OF METAL WIRE BARREL TO END OF PIN
- 5 SUPERSEDED BY 342166-1

POLY BAG WITH HEADER	STANDARD	100	5	7-342166-1
PLASTIC BOX	STANDARD	100	5	6-342166-1
TAPED MOUNTED	STANDARD	2500		2-342166-1
PLASTIC BAG	STANDARD	1000		342166-1
PACKAGING	LABELLING	QTY BLUE		PART NO

THIS DRAWING IS A CONTROLLED DOCUMENT.		DWN jr ruth 07AUG03	Tyco Electronics Corporation Harrisburg, PA 17105	
DIMENSIONS: INCHES		CHK T MICHIELUTTI 07AUG03	NAME TERMINAL, WIRE PIN, PLASTI-GRIP,	
TOLERANCES UNLESS OTHERWISE SPECIFIED:		APVD T MICHIELUTTI 07AUG03	PRODUCT SPEC -	
0 PLC ± -		APPLICATION SPEC -	SIZE A2	CAGE CODE 00779
1 PLC ± 0.5		WEIGHT -	DRAWING NO 342166	
2 PLC ± -		RESTRICTED TO -		
3 PLC ± -		SCALE 5:1		
4 PLC ± -		SHEET 1 OF 1		
ANGLES ± 1°		REV G1		
FINISH -		CUSTOMER DRAWING		