

1355437-1 ✓ ACTIVE

AMP | AMP MCP 9.5, AMP MCP Connector System

TE Internal #: 1355437-1

AMP MCP Connector System, Automotive Seals & Cavity Plugs,  
Single Wire Seal (SWS), Cavity Diameter .591 in [15 mm]

[View on TE.com >](#)



Connectors > Automotive Connectors > Seals & Cavity Plugs



Connector Seal Type: **Single Wire Seal (SWS)**

Cavity Diameter: **15 mm [ .591 in ]**

Accepts Cable Insulation Diameter Range: **5.2 mm [ .205 in ]**

Seal Material: **Silicone**

Resistance to Hydrocarbons: **Poor**

## Features

### Product Type Features

Connector Seal Type	Single Wire Seal (SWS)
---------------------	------------------------

### Body Features

Seal Material	Silicone
Primary Product Color	Violet

### Dimensions

Cavity Diameter	15 mm[.591 in]
Accepts Cable Insulation Diameter Range	5.2 mm[.205 in]

### Usage Conditions

Operating Temperature (Max)	65 °C, 70 °C, 75 °C, 80 °C, 85 °C, 90 °C, 100 °C, 105 °C, 110 °C, 120 °C, 125 °C, 130 °C [149 °F][158 °F][167 °F][176 °F][185 °F][194 °F][212 °F][221 °F][230 °F][248 °F][257 °F][266 °F]
Operating Temperature Range	-40 – 130 °C[-40 – 266 °F]

### Industry Standards



UL Flammability Rating	None
------------------------	------

### Other

Resistance to Hydrocarbons	Poor
----------------------------	------

Shore A Hardness	50
------------------	----

Contains Lubricant	Yes
--------------------	-----

## Product Compliance

[For compliance documentation, visit the product page on TE.com>](#)

EU RoHS Directive 2011/65/EU	Compliant
------------------------------	-----------

EU ELV Directive 2000/53/EC	Compliant
-----------------------------	-----------

China RoHS 2 Directive MIIT Order No 32, 2016	No Restricted Materials Above Threshold
---	---

EU REACH Regulation (EC) No. 1907/2006	Current ECHA Candidate List: JAN 2021 (211) Candidate List Declared Against: JAN 2021 (211) Does not contain REACH SVHC
--	---

Halogen Content	Low Halogen - Br, Cl, F, I < 900 ppm per homogenous material. Also BFR/CFR/PVC Free
-----------------	---

Solder Process Capability	Not applicable for solder process capability
---------------------------	--

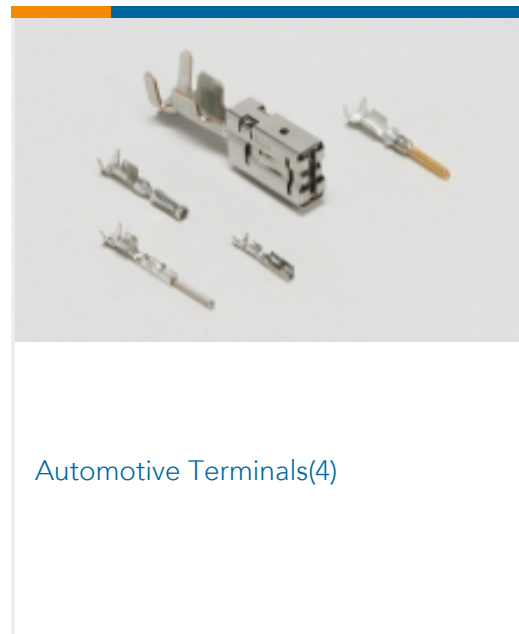
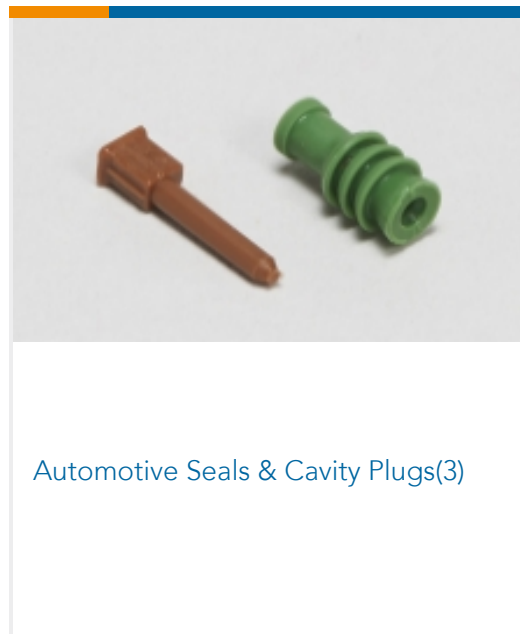
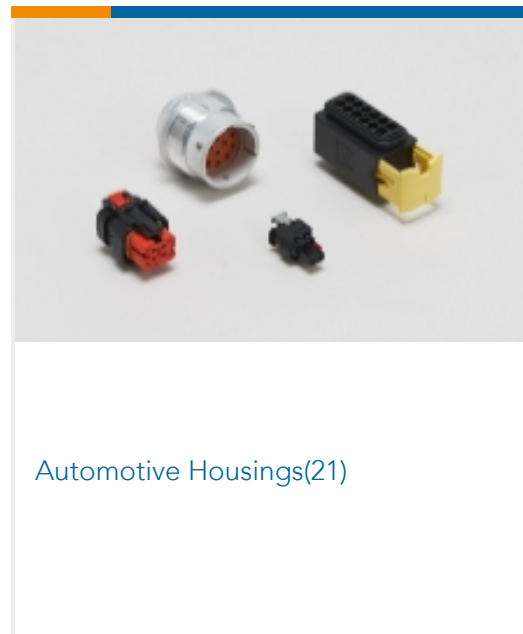
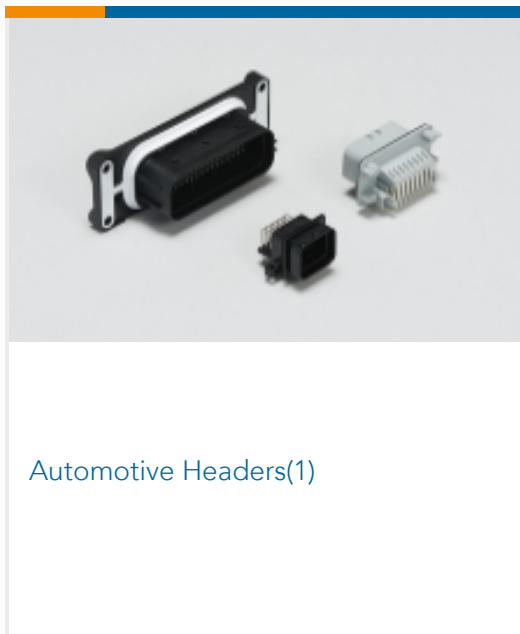
#### Product Compliance Disclaimer

This information is provided based on reasonable inquiry of our suppliers and represents our current actual knowledge based on the information they provided. This information is subject to change. The part numbers that TE has identified as EU RoHS compliant have a maximum concentration of 0.1% by weight in homogenous materials for lead, hexavalent chromium, mercury, PBB, PBDE, DBP, BBP, DEHP, DIBP, and 0.01% for cadmium, or qualify for an exemption to these limits as defined in the Annexes of Directive 2011/65/EU (RoHS2). Finished electrical and electronic equipment products will be CE marked as required by Directive 2011/65/EU. Components may not be CE marked. Additionally, the part numbers that TE has identified as EU ELV compliant have a maximum concentration of 0.1% by weight in homogenous materials for lead, hexavalent chromium, and mercury, and 0.01% for cadmium, or qualify for an exemption to these limits as defined in the Annexes of Directive 2000/53/EC (ELV). Regarding the REACH Regulation, the information TE provides on SVHC in articles for this part number is based on the latest European Chemicals Agency (ECHA) 'Guidance on requirements for substances in articles' posted at this URL: <https://echa.europa.eu/guidance-documents/guidance-on-reach>

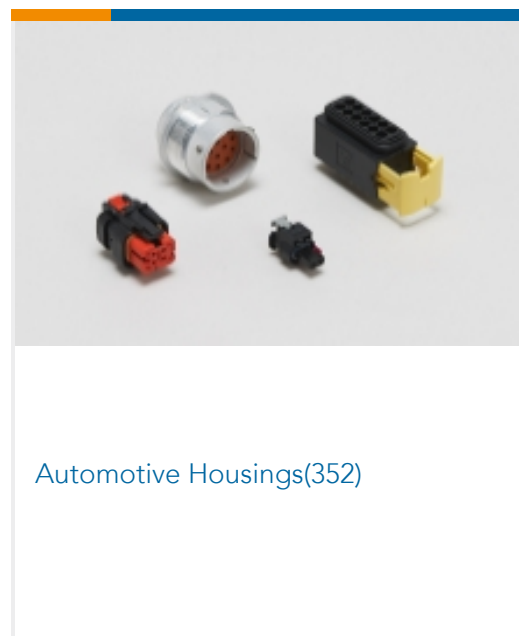
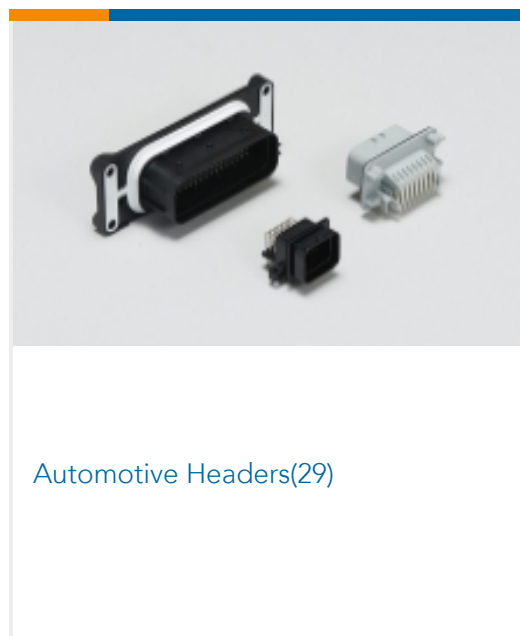
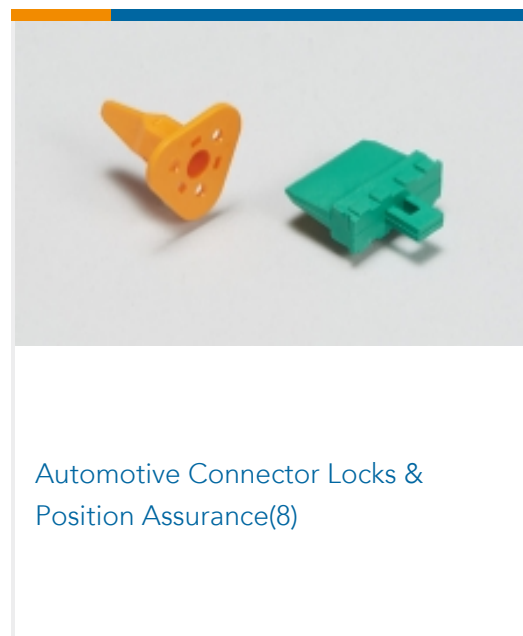
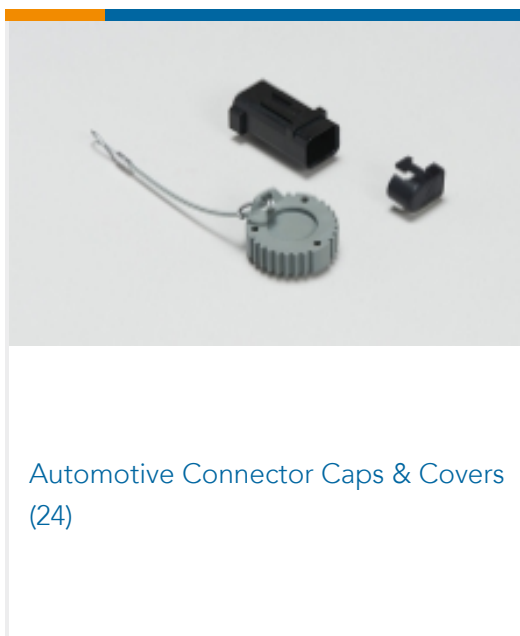
## Compatible Parts



Also in the Series | AMP MCP 9.5



Also in the Series | AMP MCP Connector System





Automotive Seals & Cavity Plugs(6)



Automotive Terminals(124)



Insertion & Extraction Tools(13)



Other Automotive Connector Accessories(2)

## Customers Also Bought



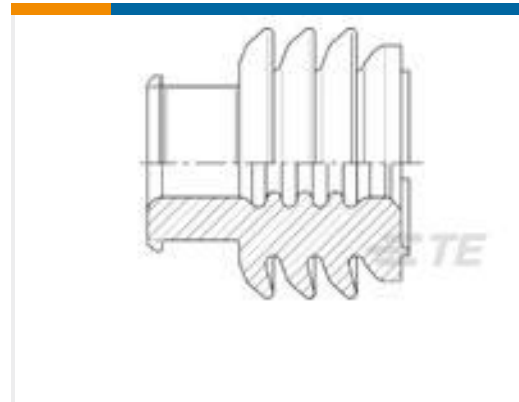
TE Part #1355328-1  
AMP MCP, SEALED CONNECTOR HOUSING



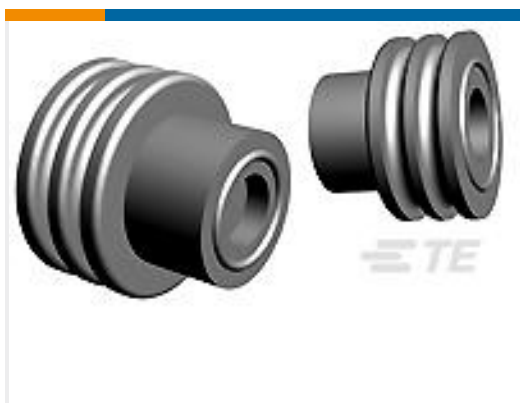
TE Part #1-967590-1  
AMP MCP, RECEPTACLE AND TAB



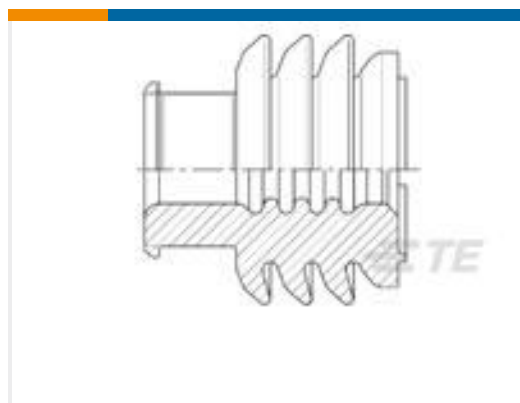
TE Part #1355950-2  
MPO2,8 Sn rec LL unseal. >2,5-4,0



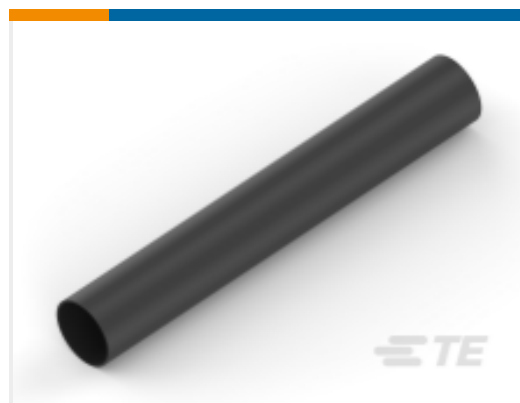
TE Part #1355437-3  
MCP9,5 EINZELDICHTG



TE Part #1394511-1  
EINZELLEITDICHTG,WS



TE Part #1355437-2  
MCP9,5 EINZELDICHTG



TE Part #NB07744001  
HTAT-24/6-0-SP

## Documents

### Product Drawings

#### MCP9,5 EINZELDICHTG

English

### CAD Files

#### 3D PDF

3D

#### Customer View Model

[ENG\\_CVM\\_CVM\\_1355437-1\\_A.2d\\_dxf.zip](#)

English

#### Customer View Model

[ENG\\_CVM\\_CVM\\_1355437-1\\_A.3d\\_igs.zip](#)

English

#### Customer View Model

[ENG\\_CVM\\_CVM\\_1355437-1\\_A.3d\\_stp.zip](#)

English

By downloading the CAD file I accept and agree to the [Terms and Conditions](#) of use.



---

**Product Specifications**

**Application Specification**

German

---

**Product Environmental Compliance**

**Product Compliance**

English

**Product Compliance**

English